

LV10K LEAK VALVE NW10 FLANGES



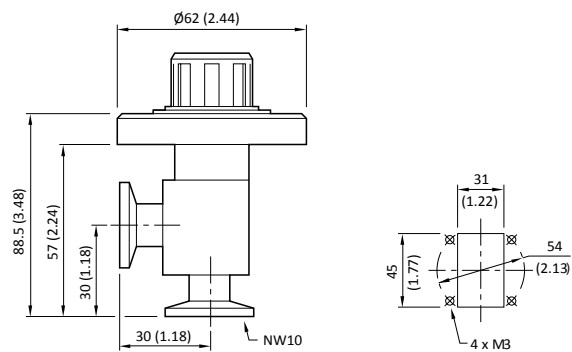
The LV10K needle valve provides fine control of gas bleed into a vacuum chamber or a regulated leak to control pressure in a vacuum system and is suitable for gas admission down to 10^{-5} mbar / 8×10^{-6} Torr. Suitable for pipeline or panel mounting.

Features and benefits

- Simple manual leak valve.



LV10K Dimension



Technical Data

LV10K	
Materials of construction	
Body	Aluminium HE30
Seat	Brass BS2784 C2112
Needle	Martensitic stainless steel EN56AM
Filter	Brass BS249
Max flow rate (approx)*	0.1 ls ⁻¹
Max inlet pressure	2000 mbar/1500 Torr
Max leak rate, across seat	10 ⁻⁷ mbar ls ⁻¹ /8 x 10 ⁻⁸ Torr ls ⁻¹
Max leak rate, across body	10 ⁻⁷ mbar ls ⁻¹ /8 x 10 ⁻⁸ Torr ls ⁻¹
Vacuum connection	NW10
Weight (g/oz)	138 g/4.8 oz

*Flow rate relates to a pressure differential across valve of one bar.

LV10K

Ordering information

Product description	Order no:
LV10K Leak Valve NW10 Flanges	C37102000



Spares Kit

Product description	Order no:
Spares Kit Valve Seat	C37102812