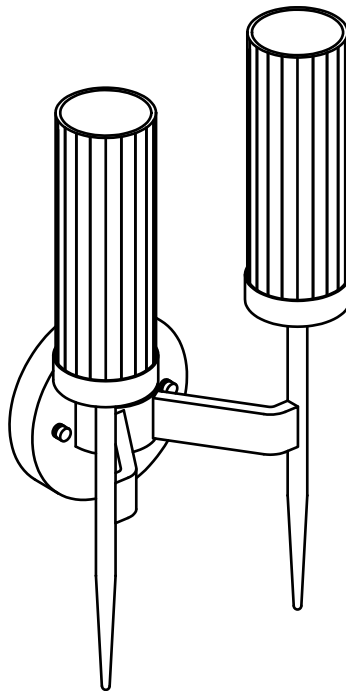


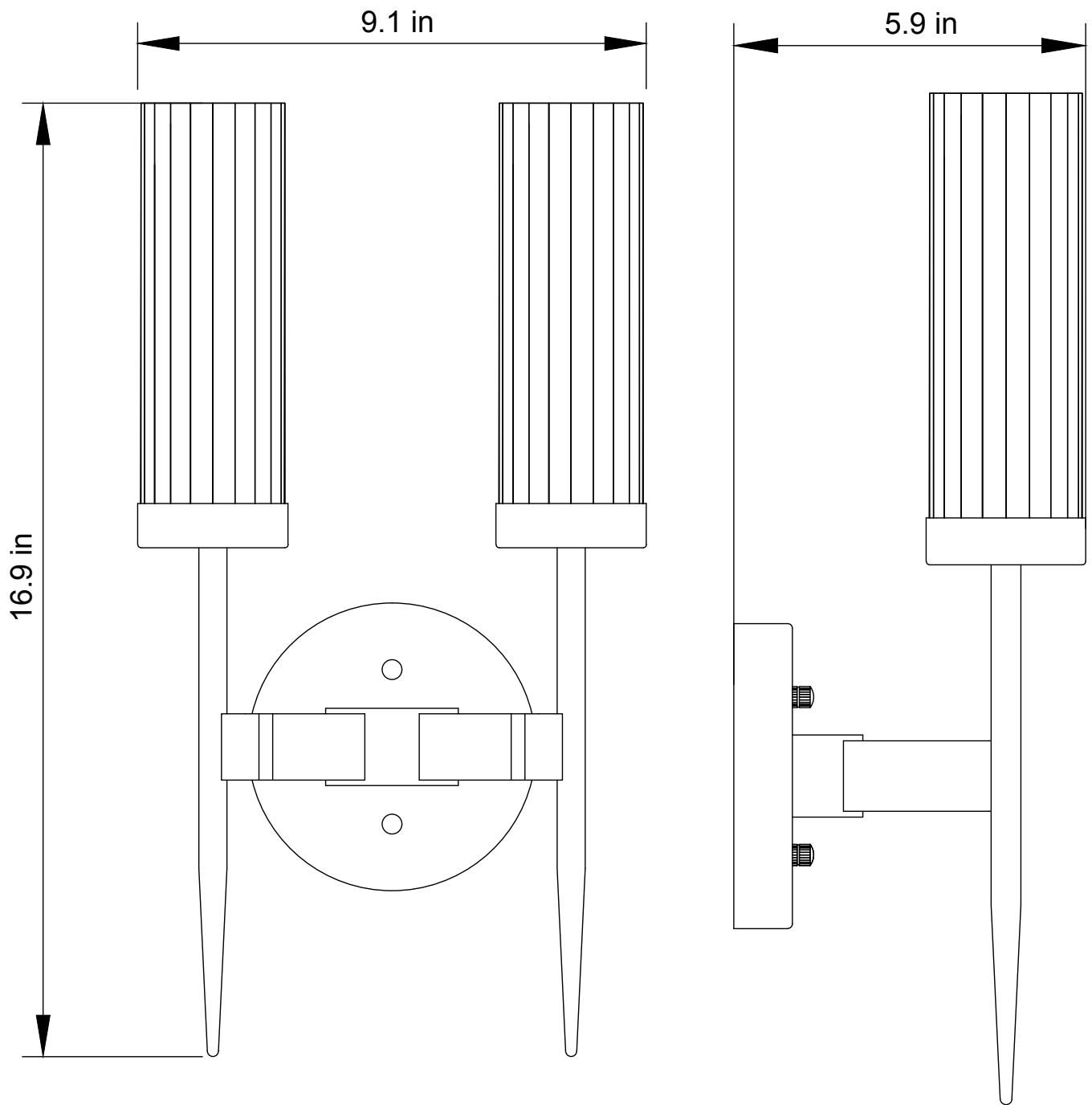


INSTALLATION MANUAL



SEATTLE-2

Overview



INSTALLATION MANUAL

SEATTLE-2 Wall Light

Please read carefully and keep for future reference!

1. NOTES ON SAFETY

- Do not cover the product. Allow for air circulation!
- Do not hang or fasten anything on the product, especially any type of decoration
- Keep children away from the product.

Operate the product only when it functions properly:



In case of a malfunction you may **NOT** touch the product or operate it further. Disconnect the product from the power supply an external switch or by turning off the fuse.

If touched or continued to be used after malfunction, it is a fire hazard and a danger of electric shock and burns.

A malfunction exists when:

- Visible damages are present.
- The product does not work properly(e.g.flickering).
- Smoke, steam, or crackling sounds appear.
- A burnt smell is present. The unit is overheating (eg. can be detected by discoloration on adjacent surfaces)
- An overheating is recognisable(e.g. by discoloration)

Operate the product only after maintenance and examination by an approved electrician!

2. USE AS DIRECTED

This product serves exclusively for lighting purposes and may:

- Only be used with a voltage of 120V~ 60Hz
- Only be installed by a certified electrician.
- Only be used in dry conditions,
Not in damp or conditions rooms.
Not in areas of high air humidity.
- Only be installed and operated after an inspection.
- Not be exposed to strong mechanical loads or to strong contamination.
- Not be modified.

⚠ If the previous directions above are not adhered to, a short circuit or electrical shock may occur!

3. TECHNICAL DATA

120v~



Bar code:	H0570008
Color:	Bronze
Operating Voltage:	120V~60Hz
Safety class:	II
LED Power:	25W
Dimensions:	L5.9* W9.1 * H16.9 inches
Weight:	2.65 lbs

4. PLACEMENT

Operate the product only on an even, stable and tilt-fixed ceiling. **Choose a place for the product where it is prevented from falling down, e.g. by accidentally knocking it doen!**

5. INSTALLATION

Installing the bulb : Handle energy-saving-lamps from the plastic housing, from the glass bulb. Screw the bulb into the socket.



Alwa= s change the light source before it reaches to its lifespan, to avoid personal injuries, or damages the fixture or other objects.

SWITCH OFF THE LIGHTS BEFORE EXCHANGING THE BULBS. LEFT THE LIGHT BULBS COOL DOWN BEFORE STARTING THE REPLACEMENT

YOU COULD BE BURNED IF THE BULBS ARE NOT COOLED BEFORE REPLACEMENT!!!

Use only Lightbulb that are approved for the product. Approved Lightbulbs are indicated on the label.

• Other types of Lightbulbs may cause fire risk, damage to the product or lead to malfunction.

6. OPERATION

Connect the lamp cord to a socket of the power supply (mains). Use the switch to turn the product on and off.

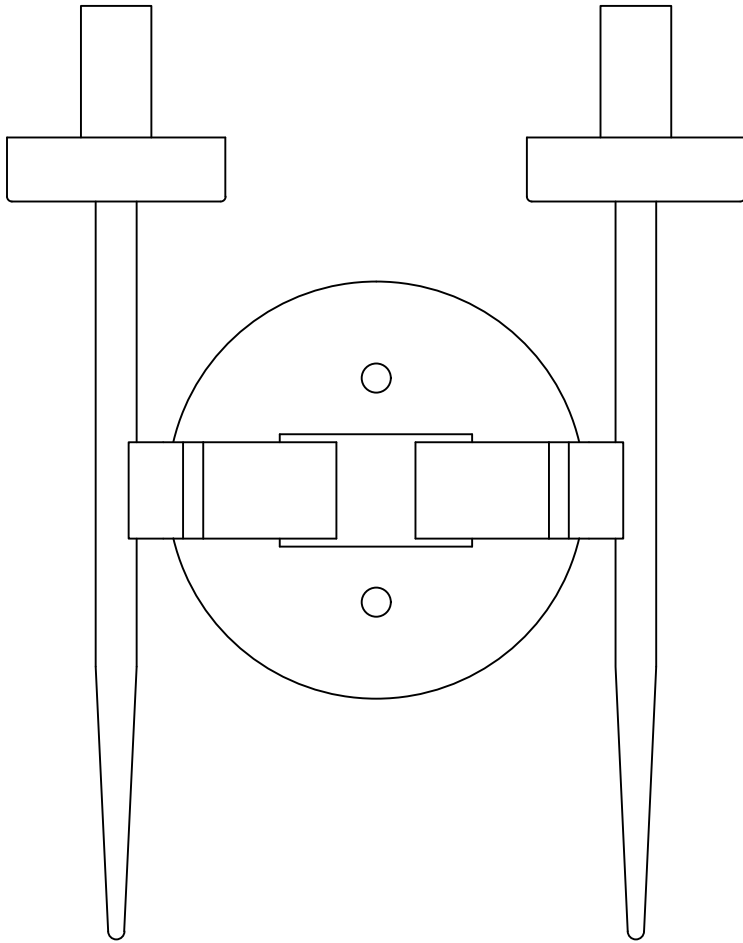
⚠ Never let children play unsupervised with electric products! Children can not always estimate dangers in dealing with electric energy correctly.

7. ADDITIONAL CONSIDERATIONS

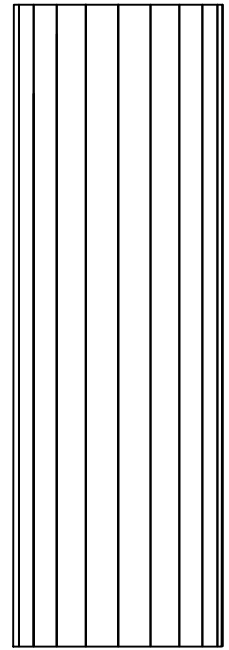
Disconnect the product from power, before you...

- Clean or maintain the product.
- Do any works on the product or its components (get an electrical expert)

Parts List



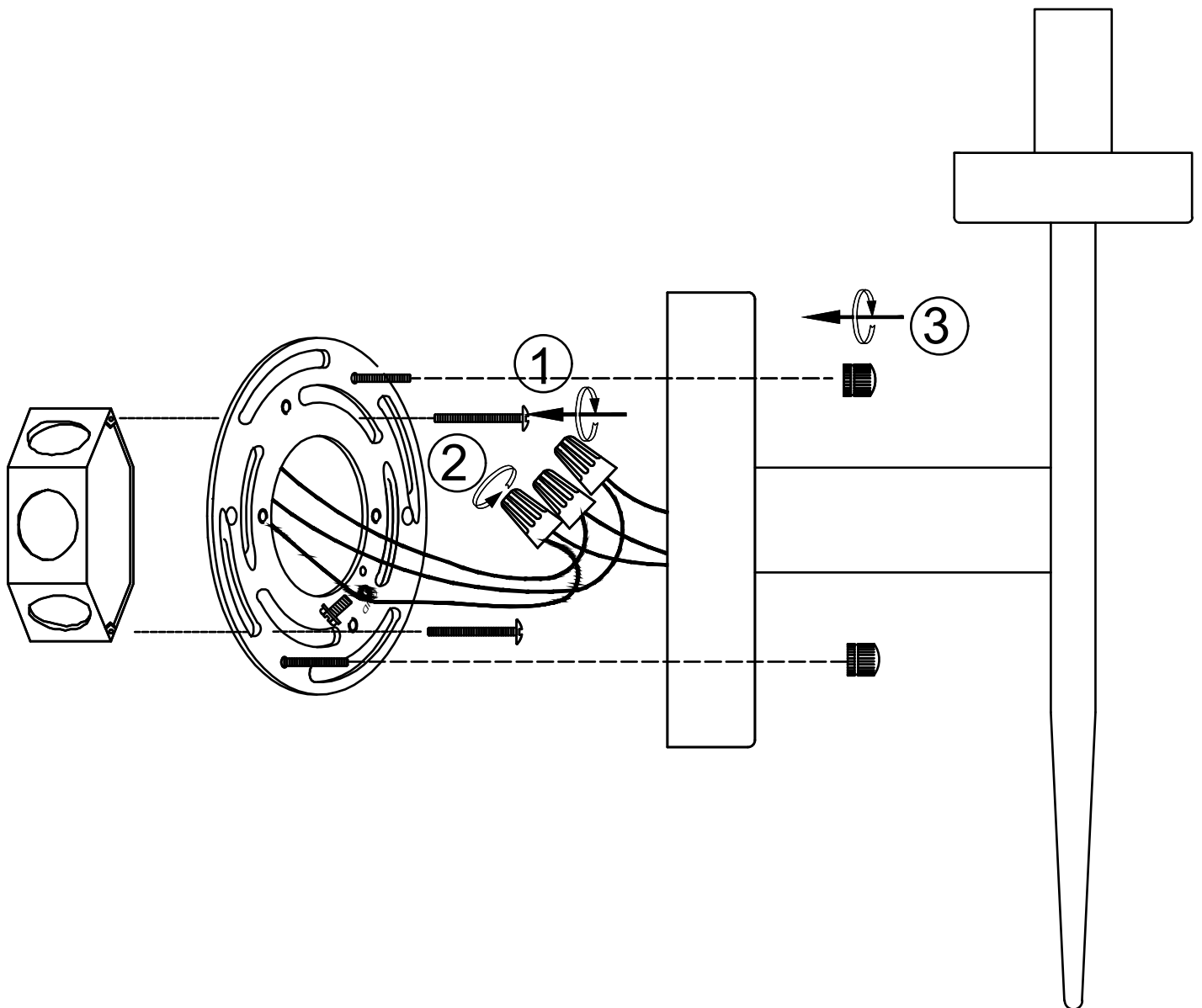
1x



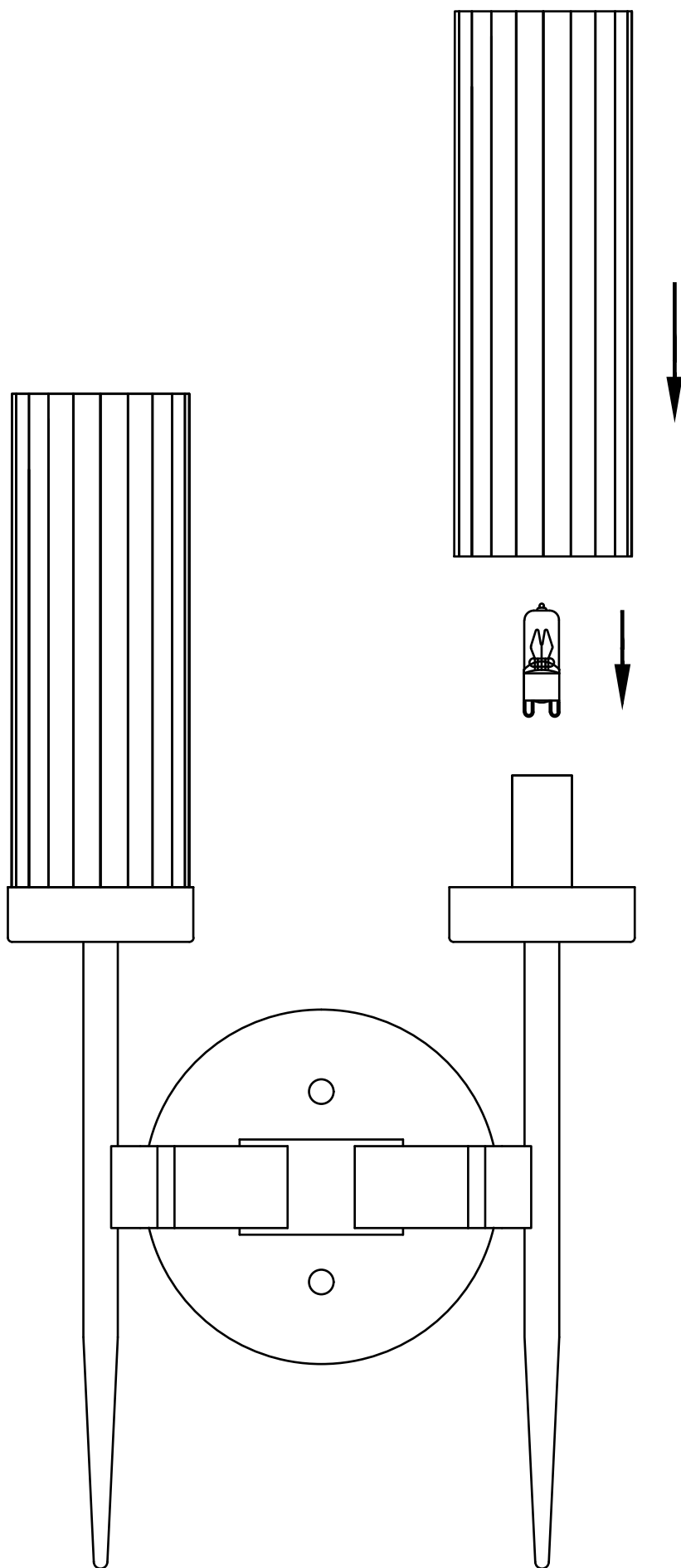
2x

Instruction

Step 1



Step 2





7Pandas

www.7pandas.com

If you have any questions or comments please contact us at support@7pandas.com