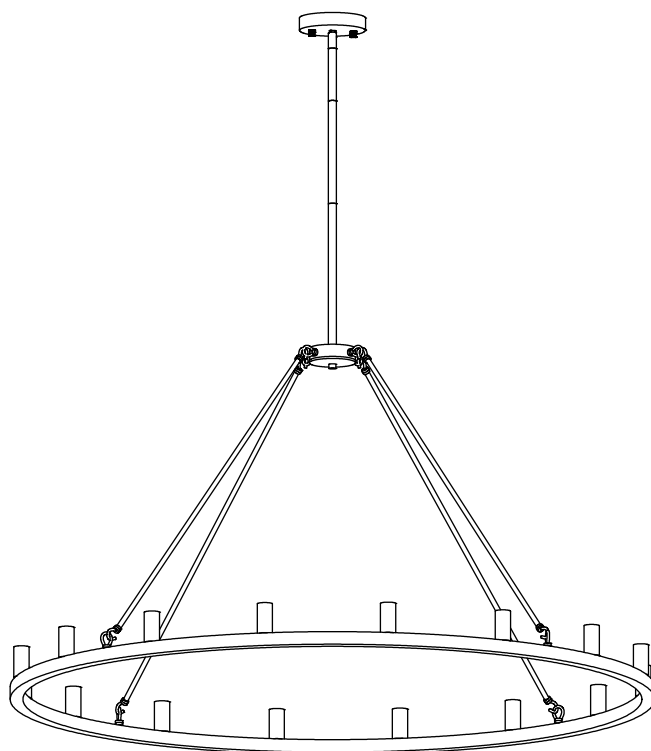


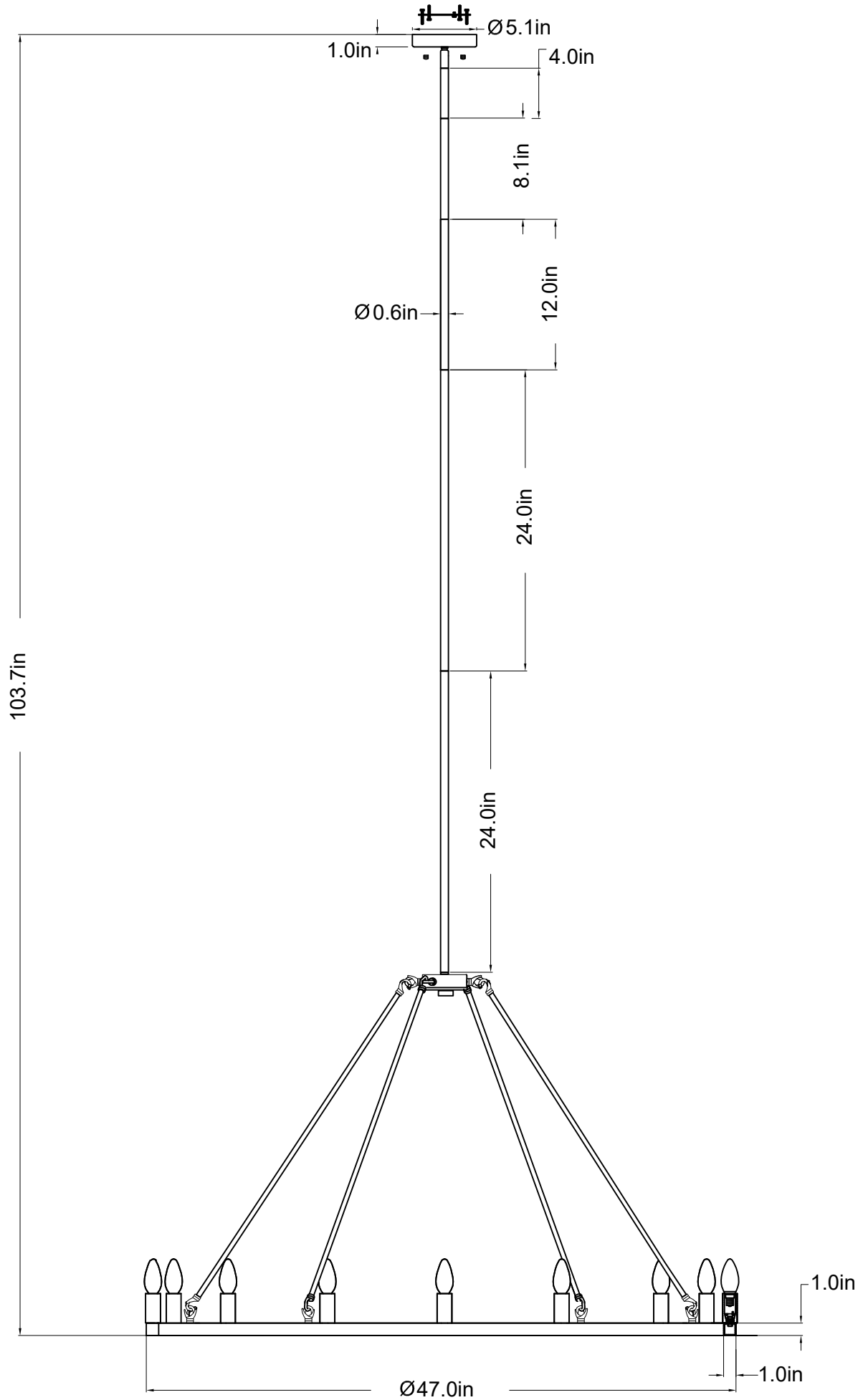
# INSTALLATION MANUAL



PLM-ALVA/16



# Overview



# INSTALLATION MANUAL

## 16-LT Chandelier Light

Please read carefully and keep for future reference!

### 1. NOTES ON SAFETY

- Do not cover the product. Allow for air circulation!
- Do not hang or fasten anything on the product, especially any type of decoration
- Keep children away from the product.

**Operate the product only when it functions properly:**



In case of a malfunction you may **NOT** touch the product or operate it further. Disconnect the product from the power supply an external switch or by turning off the fuse.

If touched or continued to be used after malfunction, it is a fire hazard and a danger of electric shock and burns.

**A malfunction** exists when:


- Visible damages are present.
- The product does not work properly (e.g. flickering).
- Smoke, steam, or crackling sounds appear.
- A burnt smell is present. The unit is overheating (eg. can be detected by discoloration on adjacent surfaces)
- An overheating is recognisable (e.g. by discoloration)

**Operate the product only after maintenance and examination by an approved electrician!**

### 2. USE AS DIRECTED

This product serves exclusively for lighting purposes and may:

- Only be used with a voltage of 120V~ 60Hz
- Only be installed by a certified electrician.
- Only be used in dry conditions,  
Not in damp or conditions rooms.  
Not in areas of high air humidity.
- Only be installed and operated after an inspection.
- Not be exposed to strong mechanical loads or to strong contamination.
- Not be modified.

 If the previous directions above are not adhered to, a short circuit or electrical shock may occur!

### 3. TECHNICAL DATA

120v~



Bar code:	H0566502
Color:	AGB
Operating Voltage:	120V~60Hz
Safety class:	II
Bulb:	16*E12 Max.16*25W
Dimensions:	L47.0 * W47.0 * H103.7 inches
Weight:	16.6lbs

### 4. PLACEMENT

Operate the product only on an even, stable and tilt-fixed ceiling. **Choose a place for the product where it is prevented from falling down, e.g. by accidentally knocking it doen!**

### 5. INSTALLATION

**Installing the bulb :** Handle energy-saving-lamps from the plastic housing, from the glass bulb. Screw the bulb into the socket.



Alwa= s change the light source before it reaches to its lifespan, to avoid personal injuries, or damages the fixture or other objects.

**SWITCH OFF THE LIGHTS BEFORE EXCHANGING THE BULBS. LEFT THE LIGHT BULBS COOL DOWN BEFORE STARTING THE REPLACEMENT**


**YOU COULD BE BURNED IF THE BULBS ARE NOT COOLED BEFORE REPLACEMENT!!!**

Use only Lightbulb that are approved for the product. Approved Lightbulbs are indicated on the label.

- Other types of Lightbulbs may cause fire risk, damage to the product or lead to malfunction.

### 6. OPERATION

Connect the lamp cord to a socket of the power supply (mains). Use the switch to turn the product on and off.

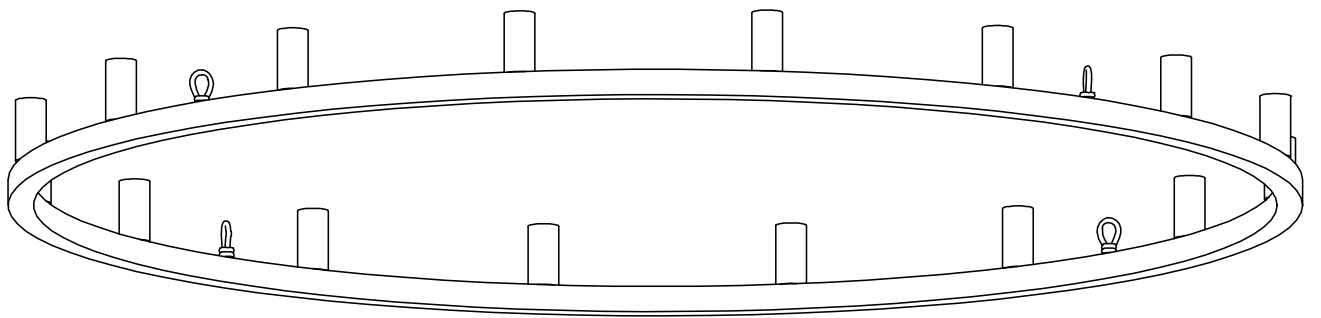
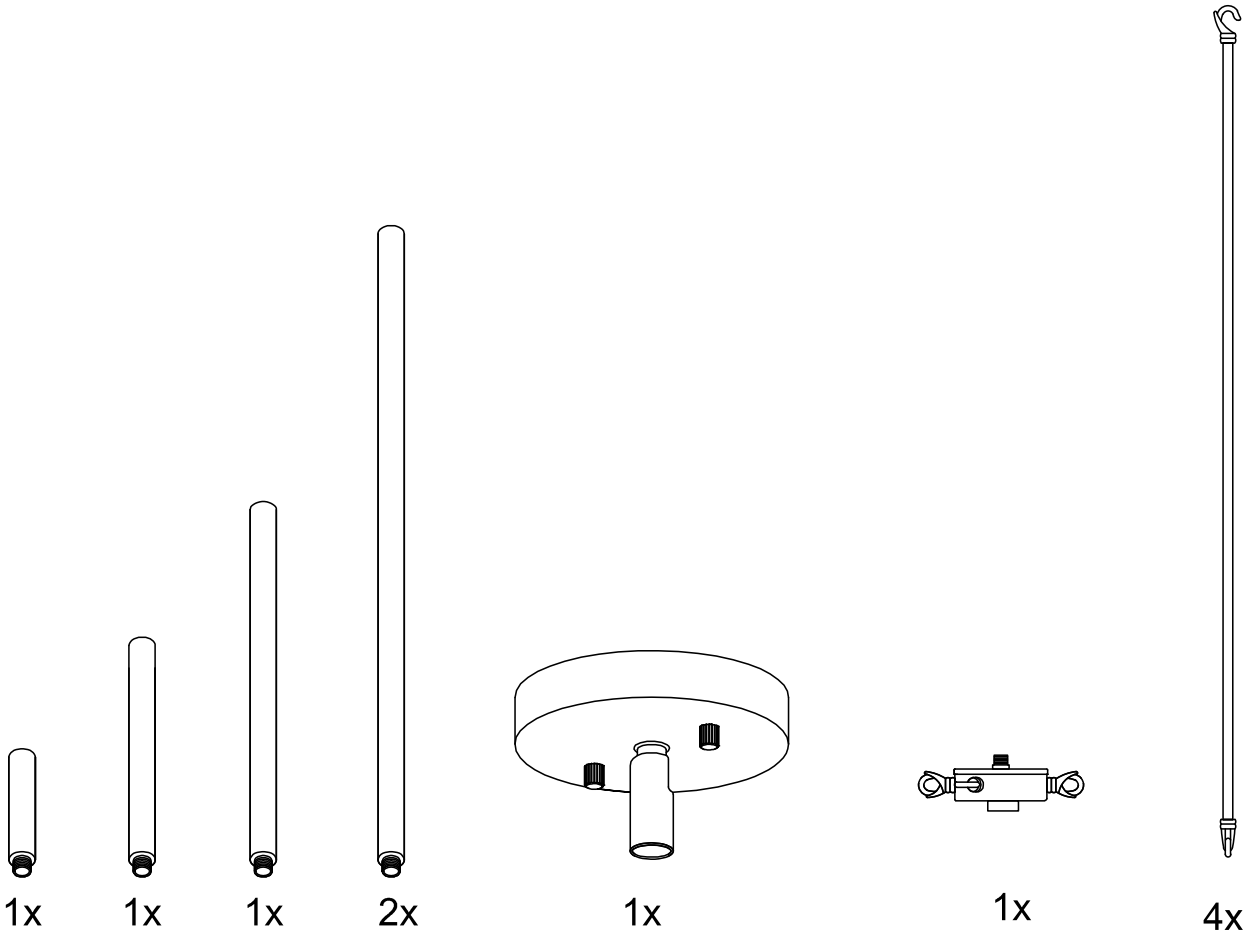
 Never let children play unsupervised with electric products! Children can not always estimate dangers in dealing with electric energy correctly.

### 7. ADDITIONAL CONSIDERATIONS

**Disconnect the product from power, before you...**

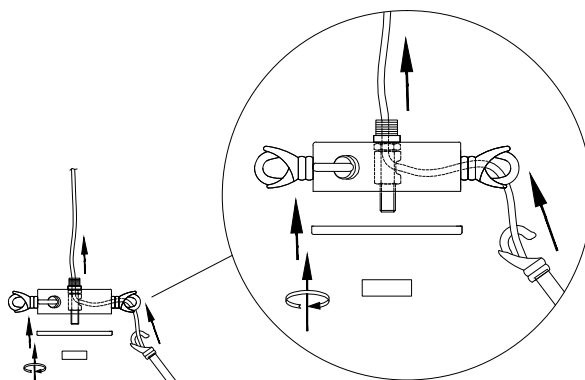
- Clean or maintain the product.
- Do any works on the product or its components (get an electrical expert)

# Parts List

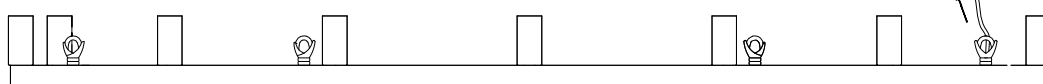


# Instruction

## Step 1

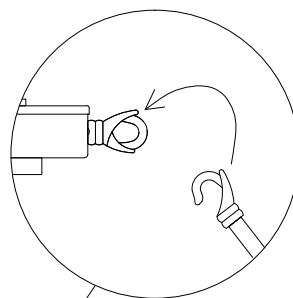


Find the arm with cable,  
insert cable to the connection hub  
through the hole.

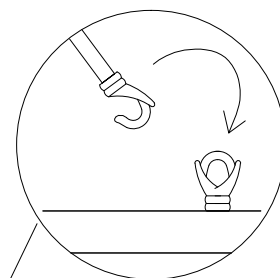
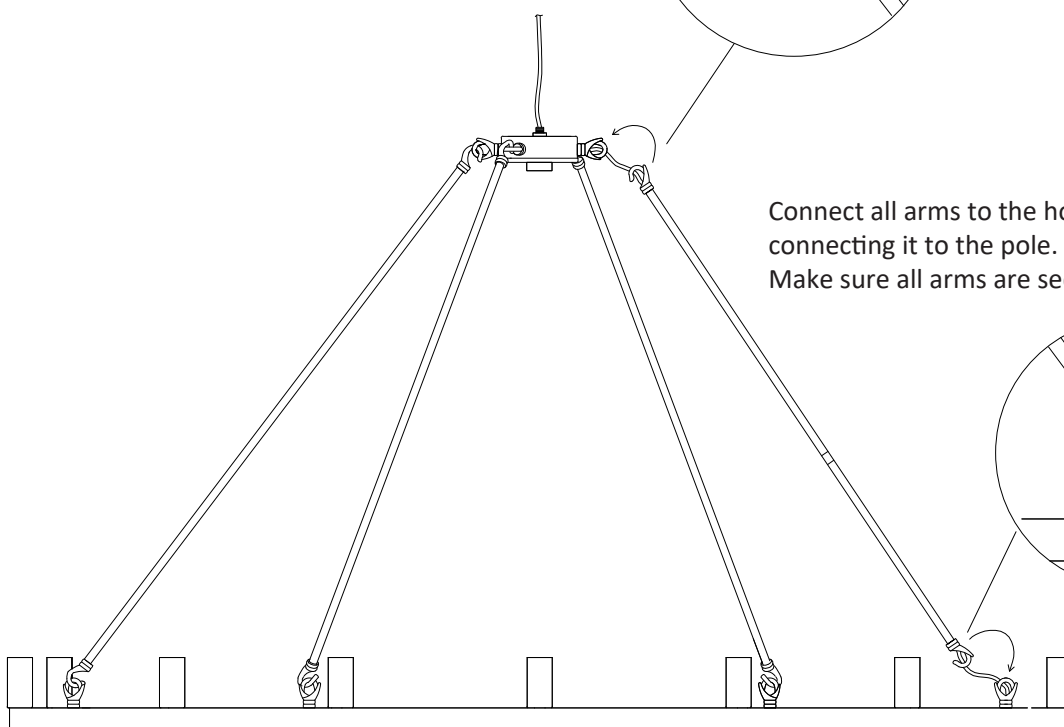


## Step 2

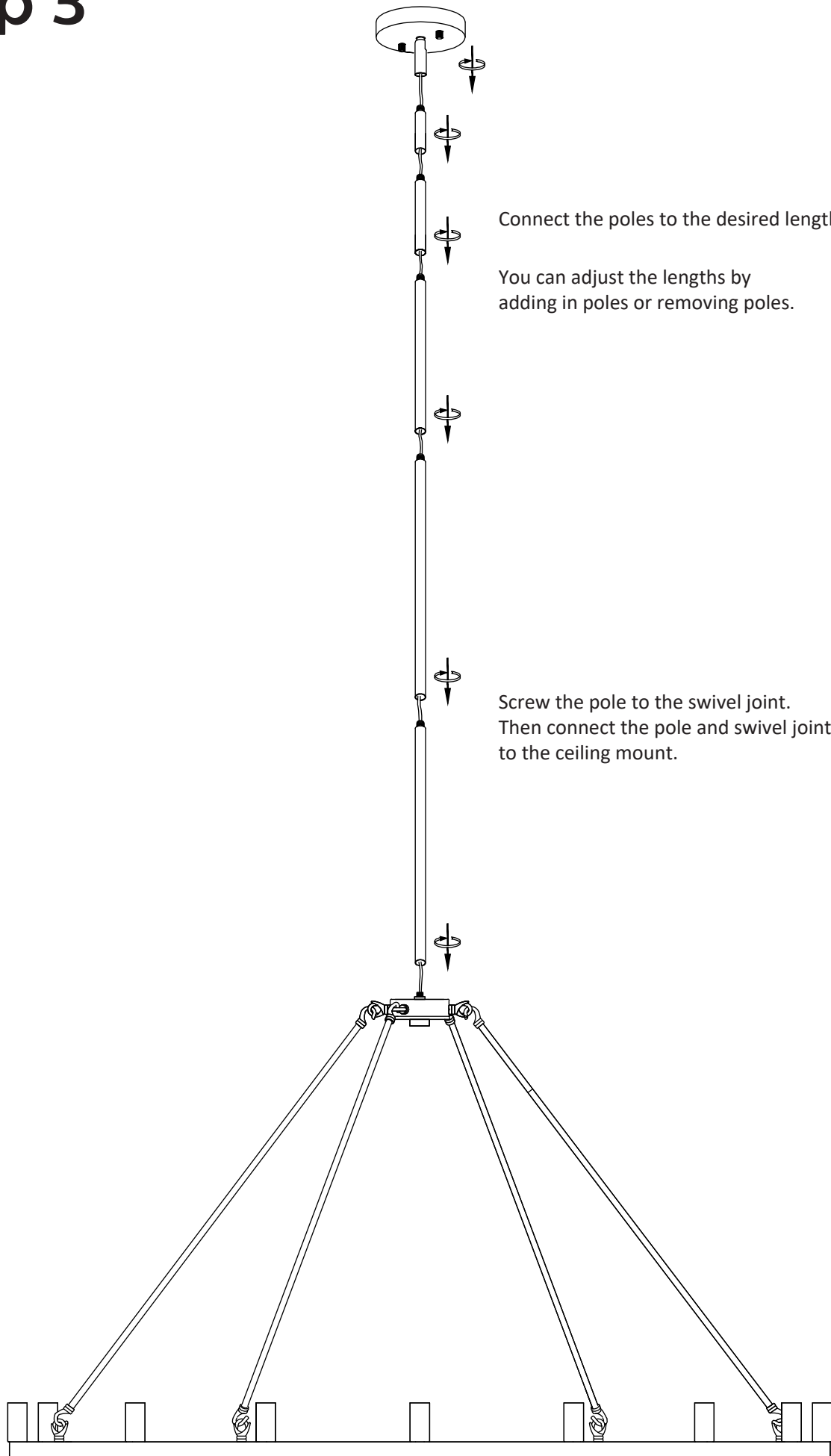
Put in the lightbulbs only after  
the whole fitting is hung securely



Connect all arms to the hooks before  
connecting it to the pole.  
Make sure all arms are securely  
place in hook.



# Step 3

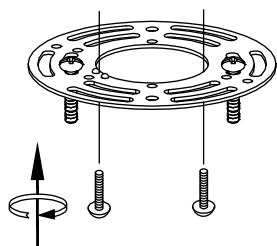
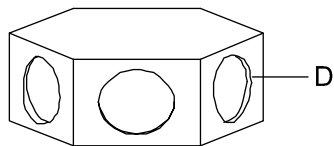


Connect the poles to the desired length.

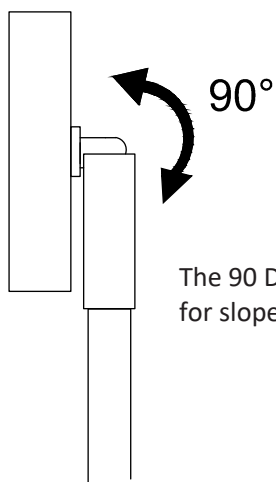
You can adjust the lengths by adding in poles or removing poles.

Screw the pole to the swivel joint.  
Then connect the pole and swivel joint to the ceiling mount.

# Step 4



Screw the hanging bracket to the ceiling junction box.



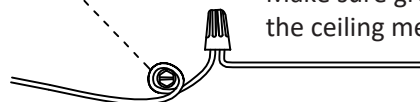
The 90 Degree swivel joint is suitable for sloped ceilings

# Step 5



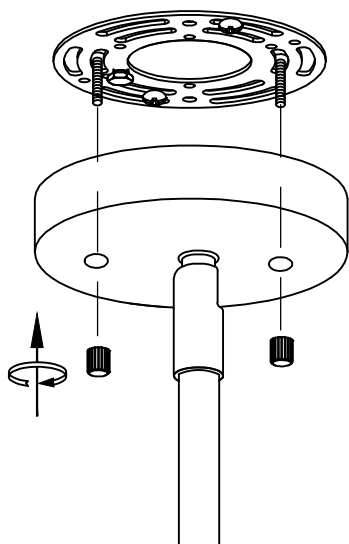
Wire the cables accordingly.

Make sure ground cable is wired to the ceiling metal terminal.



live cable  live cable

natural cable  natural cable



Place the ceiling canopy to the ceiling, cover the bracket.

Use the screw and nut to lock the canopy in place and twist the nut until it is fastened securely



# Step 6



