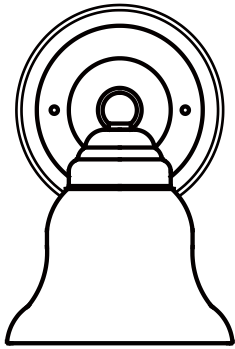
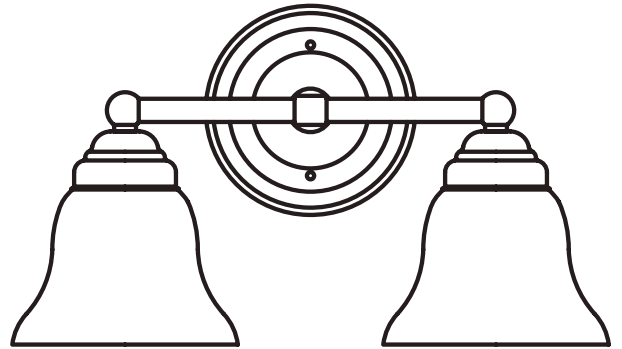


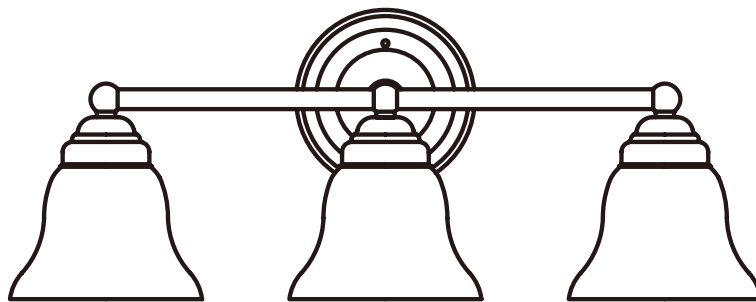
INSTALLATION MANUAL



AGW-1SN
AGW-1CH



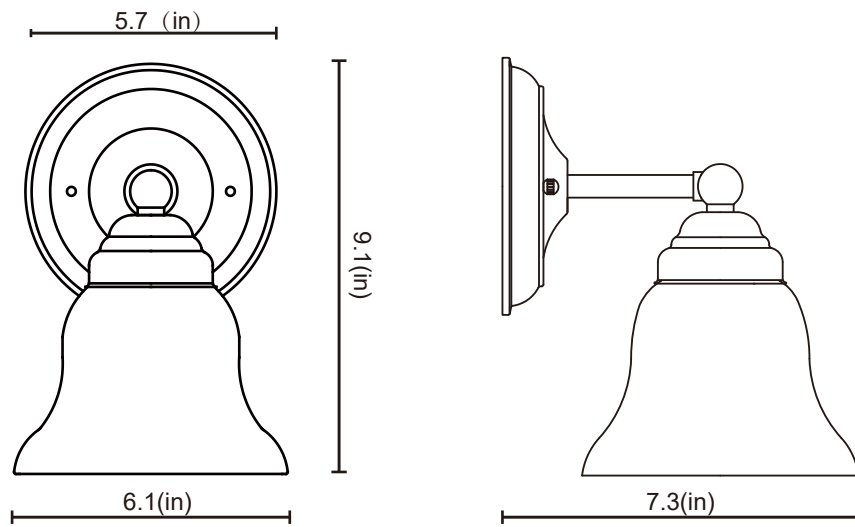
AGW-2SN
AGW-2CH



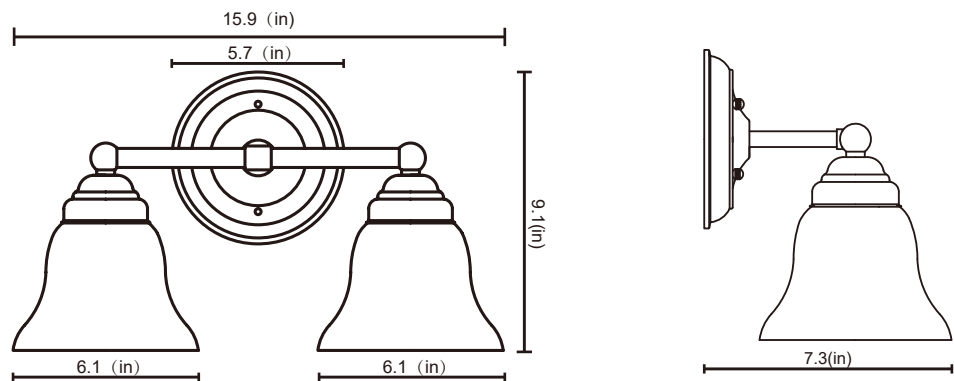
AGW-3SN
AGW-3CH

Overview

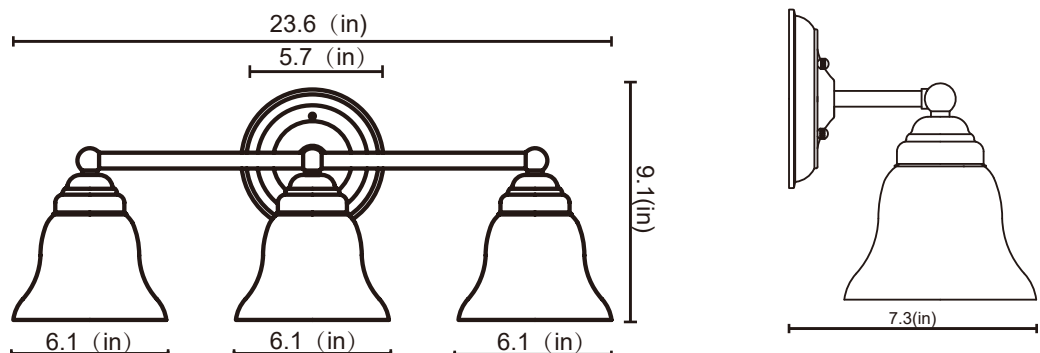
AGW-1SN
AGW-1CH



AGW-2SN
AGW-2CH



AGW-3SN
AGW-3CH



INSTALLATION MANUAL

WALL LAMP

Please read carefully and keep for future reference!

1. NOTES ON SAFETY

- Do not cover the product. Allow air circulation!
- Do not hang or fasten anything on the product, especially no decoration.
- Keep children away from the product.

Operate the product only when it functions properly:



In case of a malfunction you may **NOT** touch the product or operate it further. Disconnect the product from the power supply by an external switch or by the fuse.

To touch malfunction product may cause **danger from electric shock, burning or fire.**

A malfunction exists when:

- Visible damages appear.
- The product does not work properly (e.g. flickering)
- Smoke, steam, or crackling sounds appear.
- Smell of burning is recognizable.
An overheating is recognisable (e.g. by discolouration of adjacent surfaces).

Only operate the product with approval from licensed electrician.

2. USE AS DIRECTED

This product serves exclusively lighting purposes and may:

- Only be used with a voltage of 120V-60Hz
- Only be installed by certified electrician.
- Not be exposed to strong mechanical loads or to strong contamination.
- Only be installed and operated with approved inspection if the product is dirty or has been moistened through storage.
- Not be modified or converted.

⚠ If these points named above are not adhered to, a short circuit or electrical shock may occur!

3. TECHNICAL DATA

120v~



Bar code:	H0553040	H0553041	00533507	H0533538	00533506	H0533539
	AGW-1SN	AGW-1CH	AGW-2SN	AGW-2CH	AGW-3SN	AGW-3CH
COLOR:	Satin Nickel		Satin Nickel		Satin Nickel	
	Chrome		Chrome		Chrome	
Operating voltage:	120V-60Hz					
Safety class:	I					
Bulb:	E26 1*Max. 60W		E26 2*Max. 60W		E26 3*Max. 60W	
	6.1*7.3*9.1in		15.9*7.3*9.1in		23.6*7.3*9.1in	
Weight:	1.85lb		4.41lb		7.05lb	

4. PLACEMENT

Operate the product only on an even, stable and tilt-fixed ceiling. **Choose a place for the product where it is prevented from falling down, e.g. by accidentally knocking it down!**

5. INSTALLATION

Inserting the bulb : Touch energy-saving-lamps on the plastic housing, not on the bulb glass. Screw the bulb into the socket.



Change the light source always before it reaches its lifespan, to avoid personal injuries, or damages of the fixture or other objects.

Disconnect the product from the power supply, before you exchange the bulbs. Let the **light source cool down** before replacement.

- There exists danger of burning!

Use only light sources that are approved for the product. Approved light sources are indicated on the type label.

- Other types of light sources may cause fire risk, damage the product or lead to malfunction.

6. OPERATION

Putting into service

Connect the lamp cord of the product with a socket of the public power supply (mains). Use the switch to turn the product on and off.

⚠ Never let children play unsupervised with electric products! Children can not always estimate dangers in dealing with electric energy correctly.

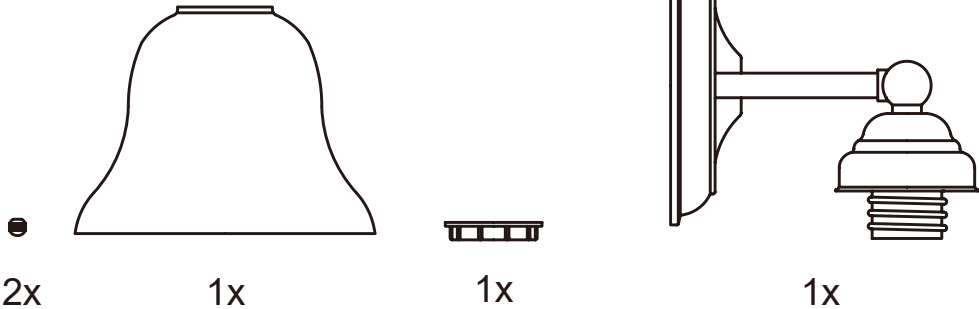
7. WHAT ELSE HAS TO BE CONSIDERED?

Disconnect the product from power, before you...

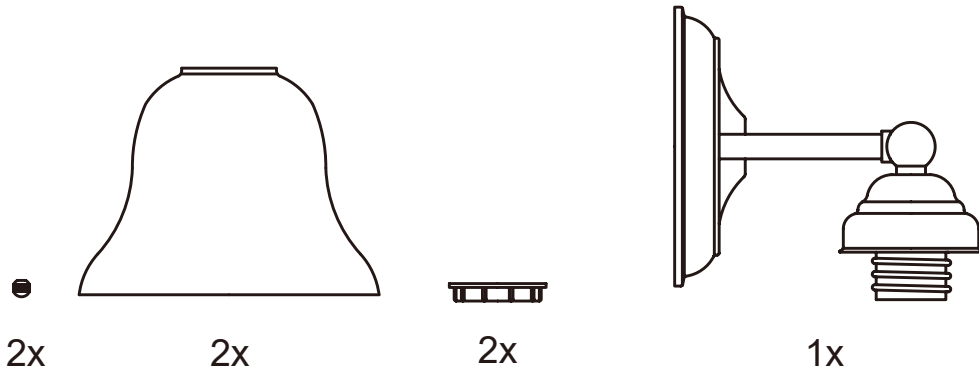
- Clean or maintain the product.
- Do any works on the product or its components (electric expert.)

Parts List

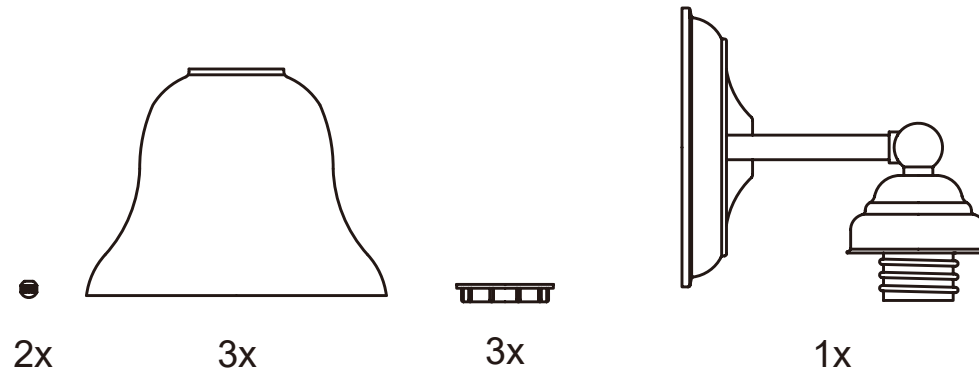
AGW-1SN
AGW-1CH



AGW-2SN
AGW-2CH



AGW-3SN
AGW-3CH

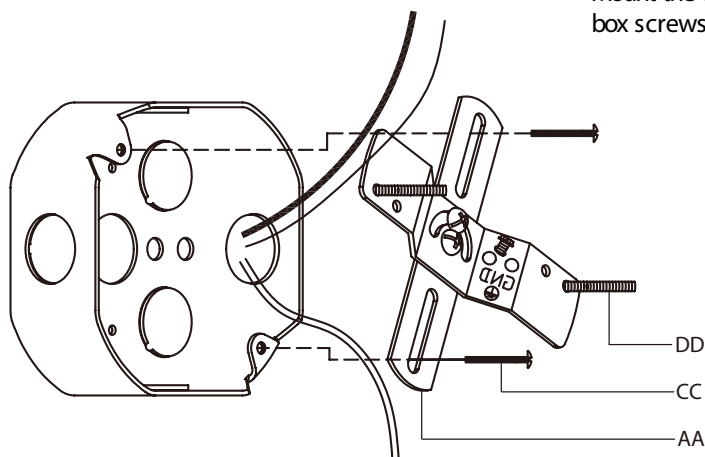


Instruction

Step 1

Attaching the cross bar to the outlet box

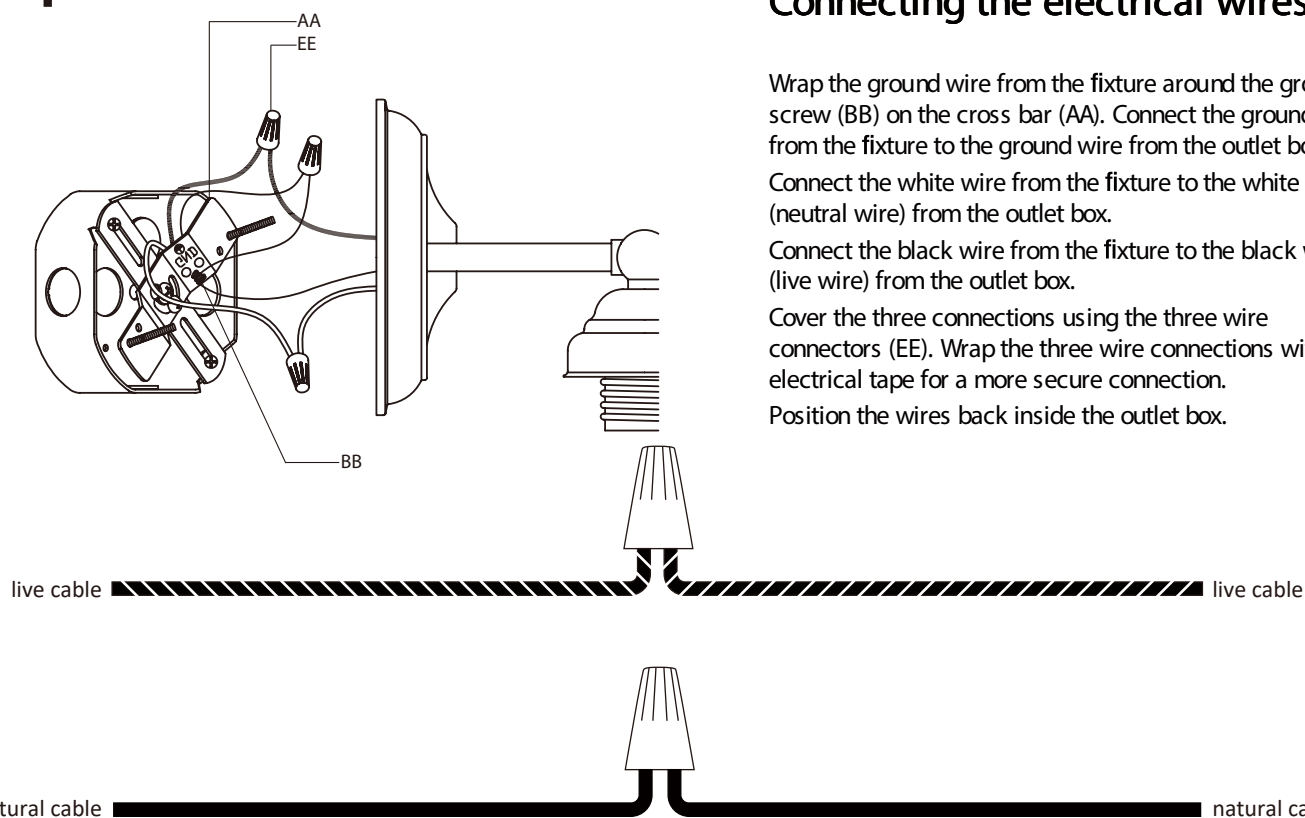
Screw the mounting screws (DD) into the cross bar (AA).
Mount the cross bar (AA) to the outlet box using the two outlet box screws (CC).



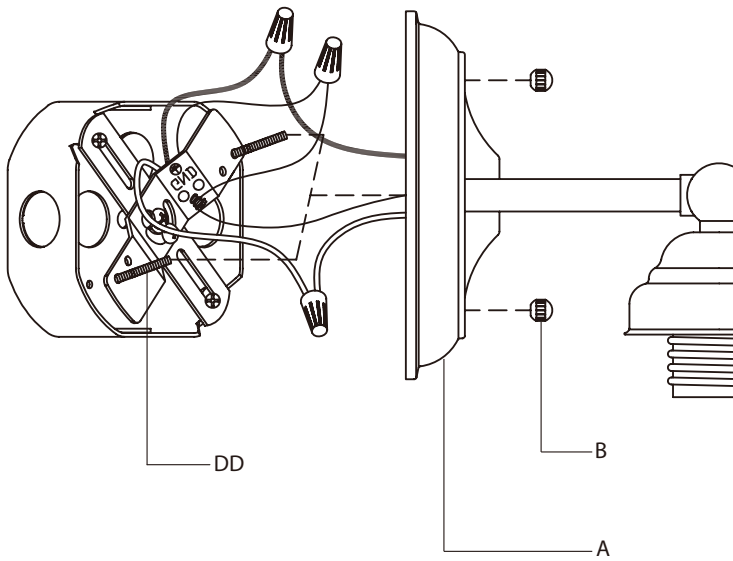
Step 2

Connecting the electrical wires

Wrap the ground wire from the fixture around the ground screw (BB) on the cross bar (AA). Connect the ground wire from the fixture to the ground wire from the outlet box.
Connect the white wire from the fixture to the white wire (neutral wire) from the outlet box.
Connect the black wire from the fixture to the black wire (live wire) from the outlet box.
Cover the three connections using the three wire connectors (EE). Wrap the three wire connections with electrical tape for a more secure connection.
Position the wires back inside the outlet box.



Step 3



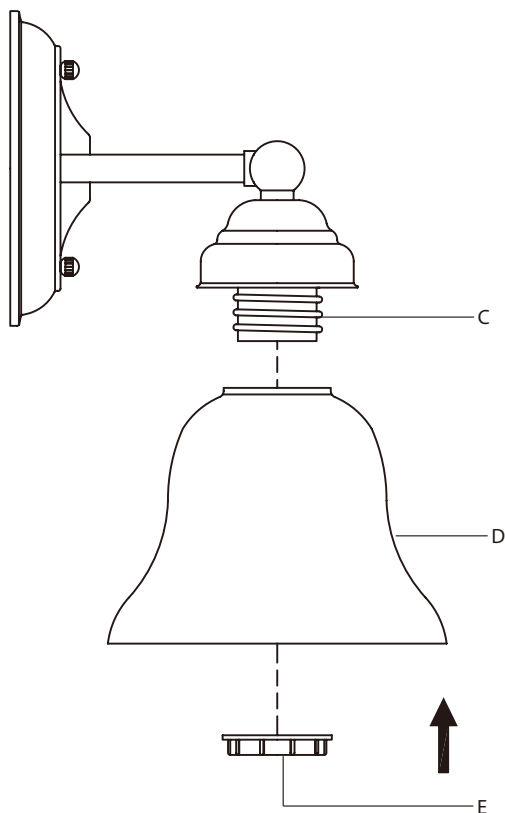
Securing the fixture to the outlet box

Place the wall plate (A) over the outlet box.
Align the mounting screws (DD) to protrude through the appropriate holes on the wall plate (A).
Screw the lock nuts (B) onto the mounting screws (DD)



NOTE: This fixture can be installed as an up-light or a down-light.

Step 4



Securing the shades

Place the shades (D) over the sockets (C).
Screw the socket rings (E) on the sockets (C).

Step 5

Installing the bulbs

Screw the bulbs (not included) into the sockets (C).



NOTE: CFL equivalent energy-saving bulbs can be used that do not exceed 13 Watts each (sold separately).

