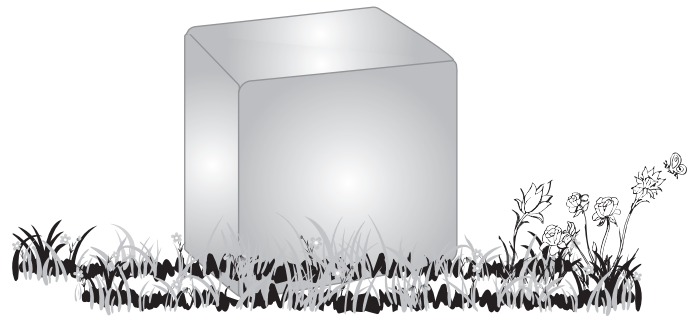


# LED Solar Lawn Light

## User Manual



### Safety Information

Please read these instructions carefully before installation and commissioning and keep them for future reference.

Check the packaging and make sure that you have received all of the supplied parts.

In the event of improper use or incorrect handling, no liability can be accepted for any damage that may occur.

This product is intended for indoor and outdoor use.

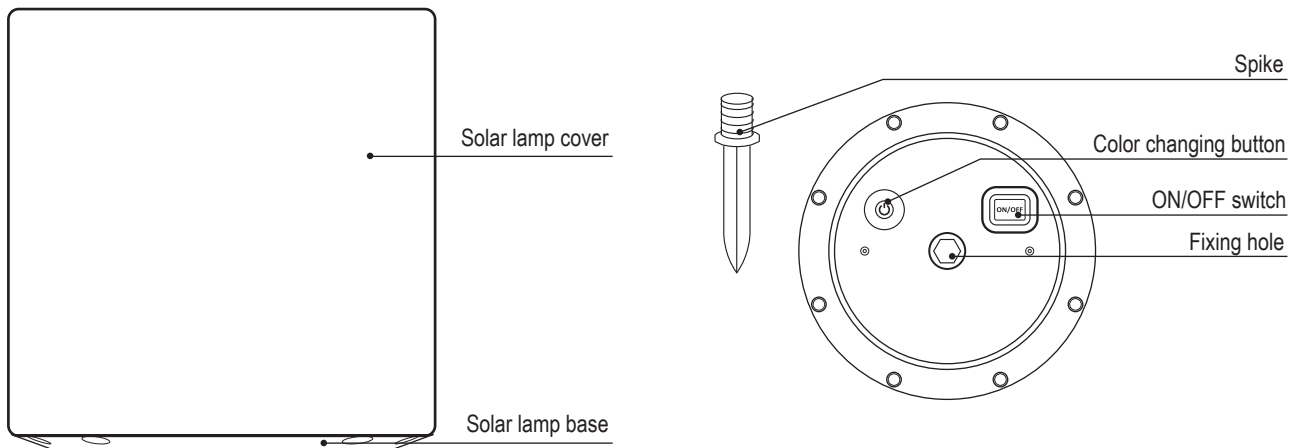
Keep the product away from all hot surfaces and open flames. Do not place open fire sources such as burning candles on the product.

The product is protected against temporary immersion (IP65). If you want to use this product as a floating lamp, it must not be installed under water.

Do not insert any objects inside the housing.

If the product is damaged, stop using it. A product that is no longer operational must be disposed of properly.

### Components



### Specifications

Material	PE
Light Source	2 × 5050 LED RGB/2 × 2835 LEDs
Power Supply	5050 RGB LED=0.25W/2835 LED=0.5W
Solar Panel	max. 5.5v $\text{---}$ 270 mA
Waterproofing Grade	IP65
Battery	1 × INR18650 1800mAh battery
Working Time	8 Hours (depending on color mode)
Charging Time	>6 Hours

### Battery Cautions

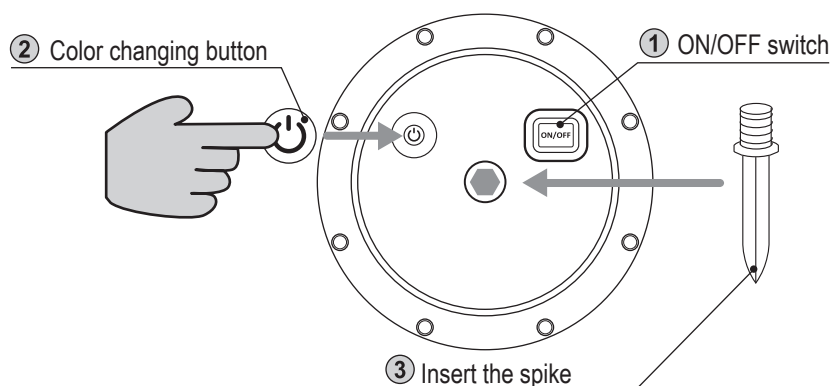
- Keep new and used batteries away from children.
- Leaking or damaged batteries can cause burns if they come into contact with the skin, so use suitable protective gloves in this case.
- Batteries must not be short-circuited, disassembled or thrown into fire. There is a risk of explosion!
- Conventional non-rechargeable batteries must not be charged, risk of explosion! Only charge batteries intended for this purpose, use a suitable charger.
- When connecting the battery (or a rechargeable battery), pay attention to the correct polarity (note plus / + and minus / -).

### Cleaning & maintenance

- The product is absolutely maintenance-free. Repairs are not planned.
- Clean the housing with a soft cloth and a little mild detergent. Let it dry completely.
- Do not use caustic cleaning agents, aggressive cleaners or sharp or metallic objects to clean the housing.





# Operation Instructions



## ① ON/OFF switch

1. Press the on / off button to switch the lamp on or off.
2. Choose a bright and sunny place for the product.
3. During the day, the solar field of the solar lamp converts the sunlight into electricity and charges the battery. The solar light comes on automatically in the dark. The electricity stored during the day is used.
4. The lighting duration of the solar lamp depends on its geographic location, the weather conditions and the seasonal light exposure.
5. Solar lights get relatively little direct sunlight during the winter months. Therefore, the light duration in winter will be shorter.

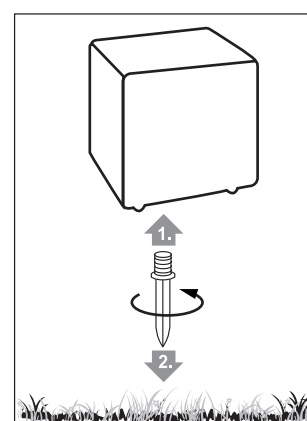
## ② Color changing button

Press Button 	Color mode	Press Button 	Color mode
1 ×	Red	17 ×	Flash mode
⋮	⋮	18 ×	Strobe mode
16 ×	White	19 ×	3 colours smooth mode
	16 colours changing mode	20 ×	Smooth mode
		21 ×	Off

## ③ Insert the spike

You can also fasten the lamp in the garden with the included spike.

1. Fasten the spike in the holder in the middle of the lamp base.
2. Press the spike gently into the ground. If the soil is harder, it can be helpful to water the soil beforehand.



## Disposal and environmental protection



- Dispose of the product at the end of its service life in accordance with the applicable legal regulations.
- Electrical items, e.g. Electrical appliances, toys, energy-saving lamps and batteries or rechargeable batteries that are marked with a crossed-out
- Dispose of used batteries at used battery collection stations.



- Hand in the product for disposal at a special disposal stations for old products. Do not throw away the product with household waste as the product contains batteries.
- You thereby fulfill the legal obligations and make your contribution to environmental protection.