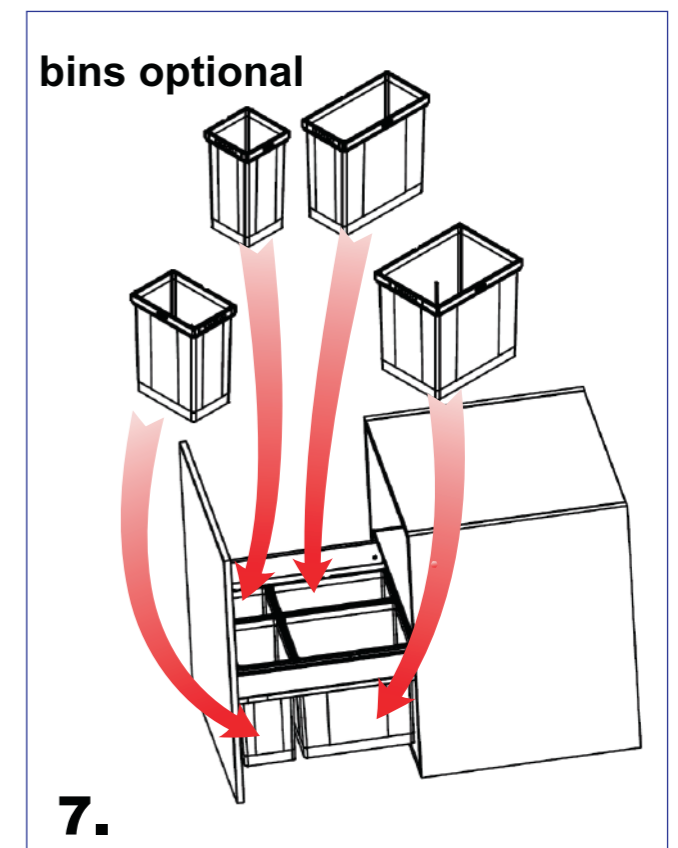
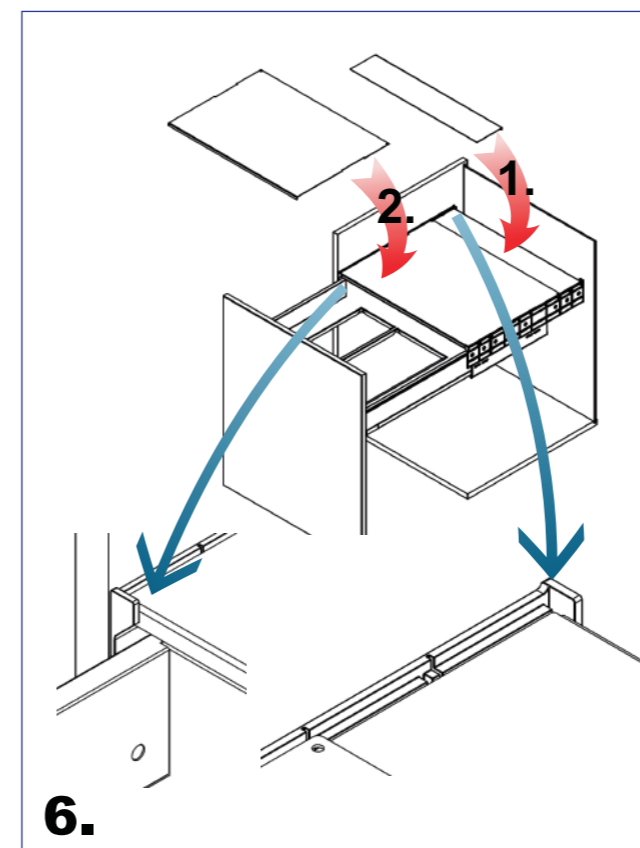
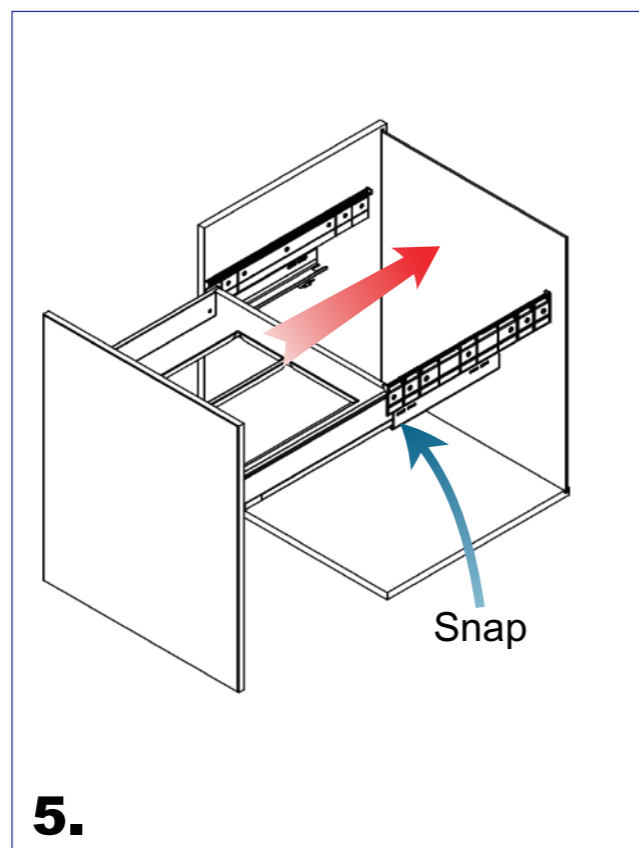
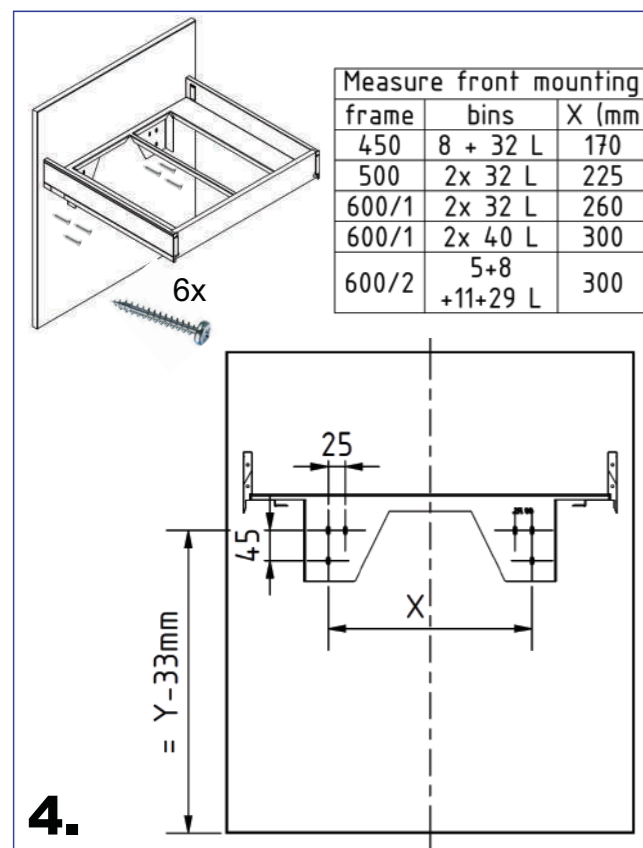
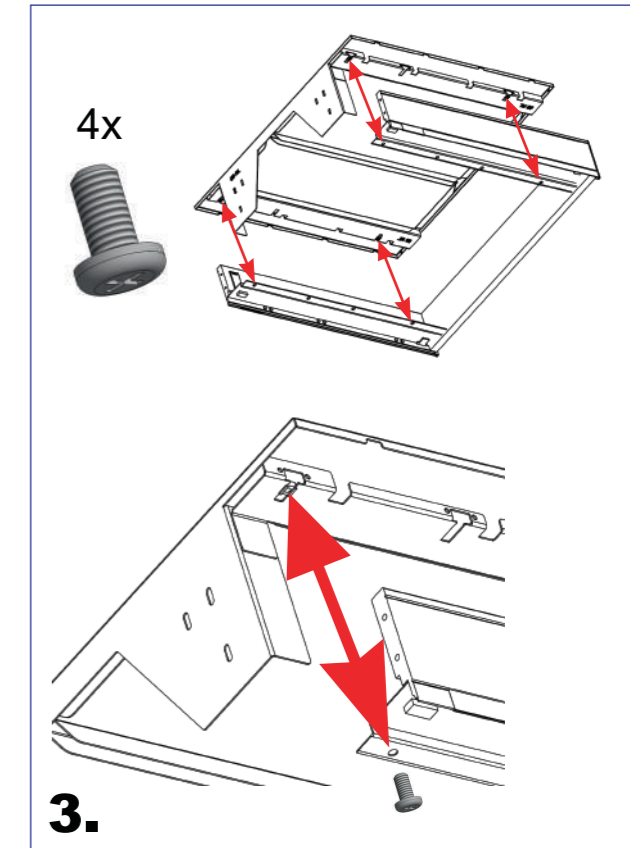
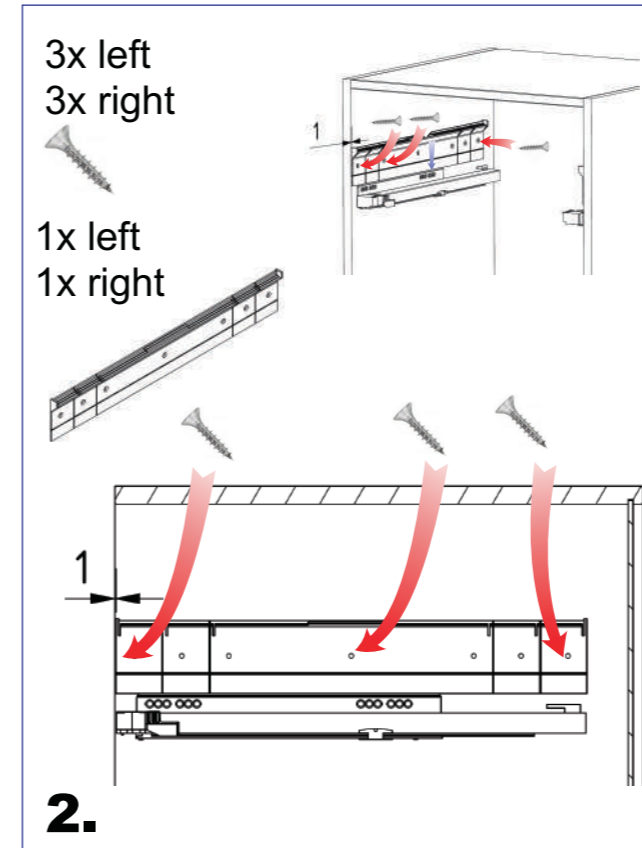
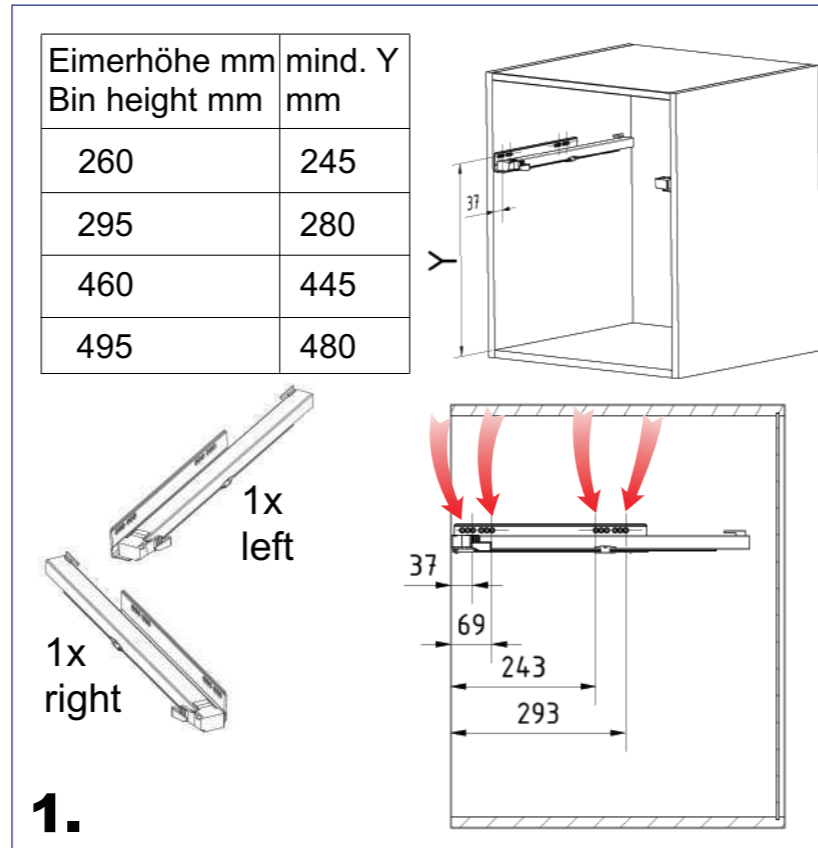
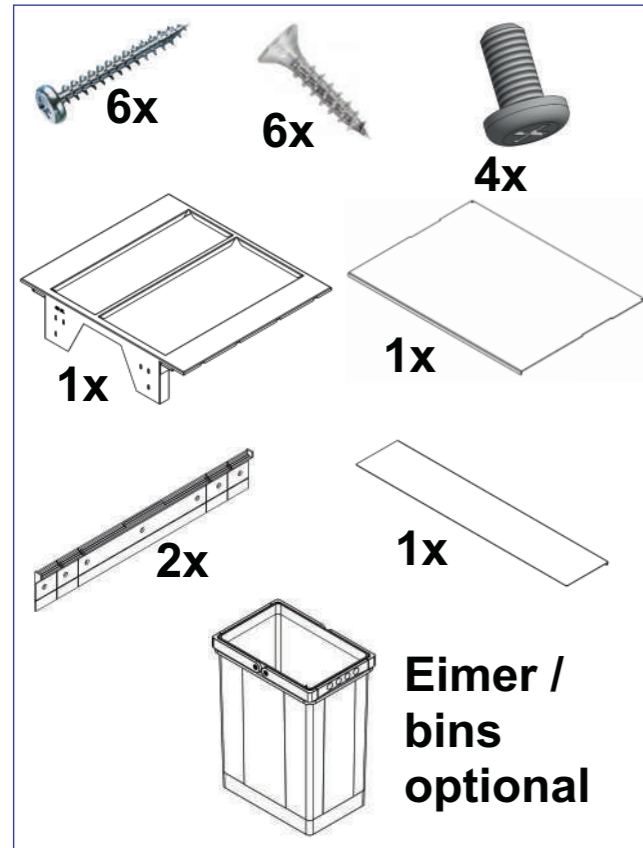




# Pullboy Z Legrabox



## Montageanleitung / assembly Instructions



Drawer – M

Webcode  
DQBN9A

Planning

Space requirement in cabinet	Installation dimensions – front – screw-on	Drilling distances – front – EXPANDO front	Installation dimensions – back
<p>* +1 mm if cabinet profile is installed before the cabinet is assembled</p> <p>** Incl. 2 mm tilt adjustment</p>	<p>FA Front overlay</p> <p>* +1 mm if cabinet profile is installed before the cabinet is assembled</p>	<p>* +1 mm if cabinet profile is installed before the cabinet is assembled</p>	

Hole spacing – cabinet profiles

Cabinet profile 750 – 40 kg  
Nominal length NL (mm)

270	
300   350	
400   450   500	
550   600	

Cutting – 16 mm chipboard

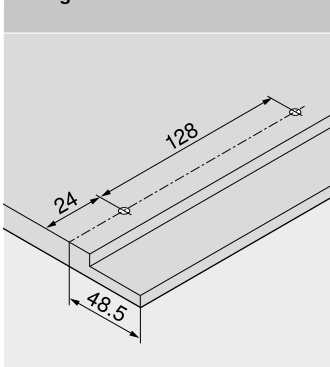
<p>Back 63 mm</p>	
	<p>KB Cabinet width LW Internal cabinet width NL Nominal length</p>
<p>Base Chipboard back NL – 10 mm Steel back NL – 21 mm</p> <p>Notch dimensions</p>	

Cabinet profile 753 – 70 kg

Nominal length NL (mm)

450	
500   550   600	
650	

Drilling distances – drawer base



Internal cabinet depth LT min. = nominal length NL + 3 mm

Page instructions

Overview – LEGRABOX	205	Overview – TIP-ON BLUMOTION for LEGRABOX	249	Overview – assembly devices	561
Fixing system for thin fronts – EXPANDO T	554	Overview – TIP-ON for LEGRABOX	255	More technical details	662
Assembly recommendation and limitation of liability – EXPANDO T	555	Overview – AMBIA-LINE for LEGRABOX	503	<b>Assembly, removal and adjustment</b> 	
Overview – SERVO-DRIVE for LEGRABOX   TANDEMBOX	321	CABLOXX	552		
		Accessories – steel back	243		
		Accessories	243		
		Cabinet profile fixing positions	247	Short-URL	
				<a href="http://www.blum.com/a310">www.blum.com/a310</a>	