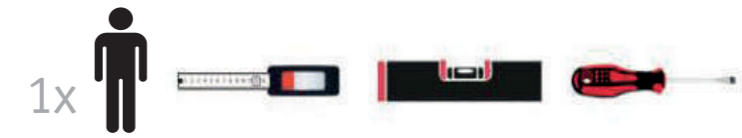
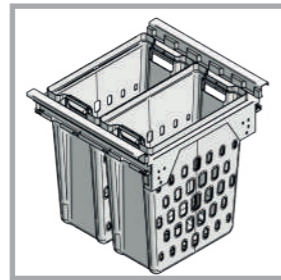




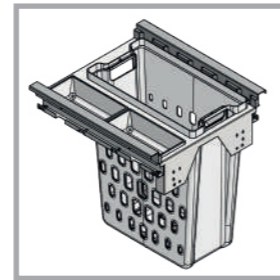
Pullboy Z Laundry



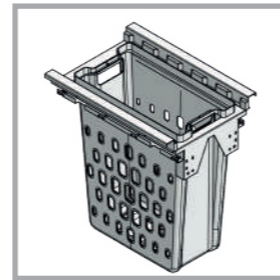
Einbauwäschekorb/ Built-in laundry basket



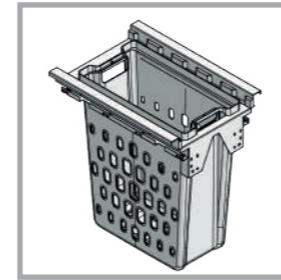
LAB827640-01



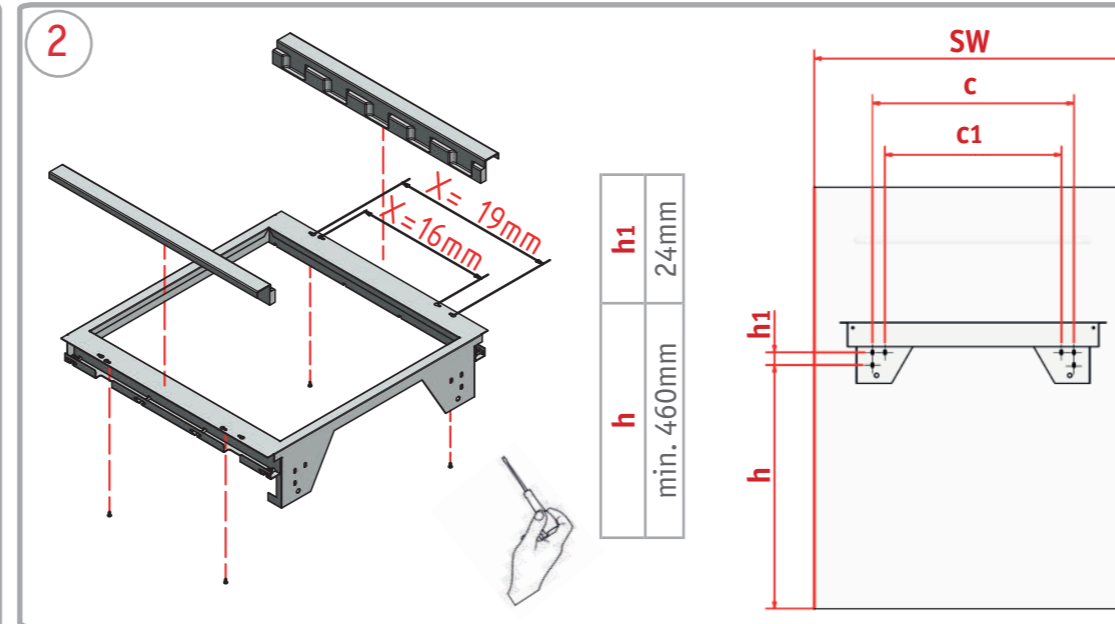
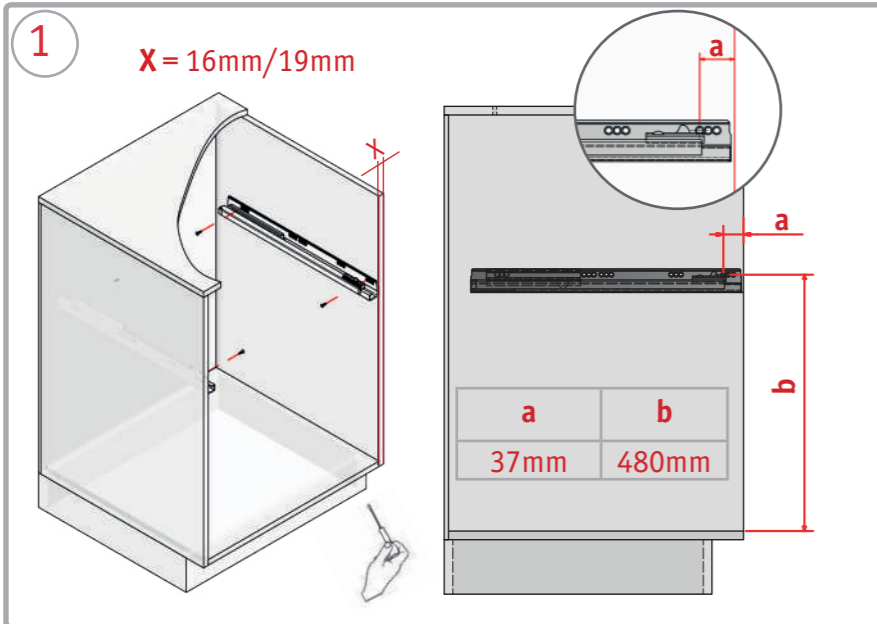
LAB827540-01



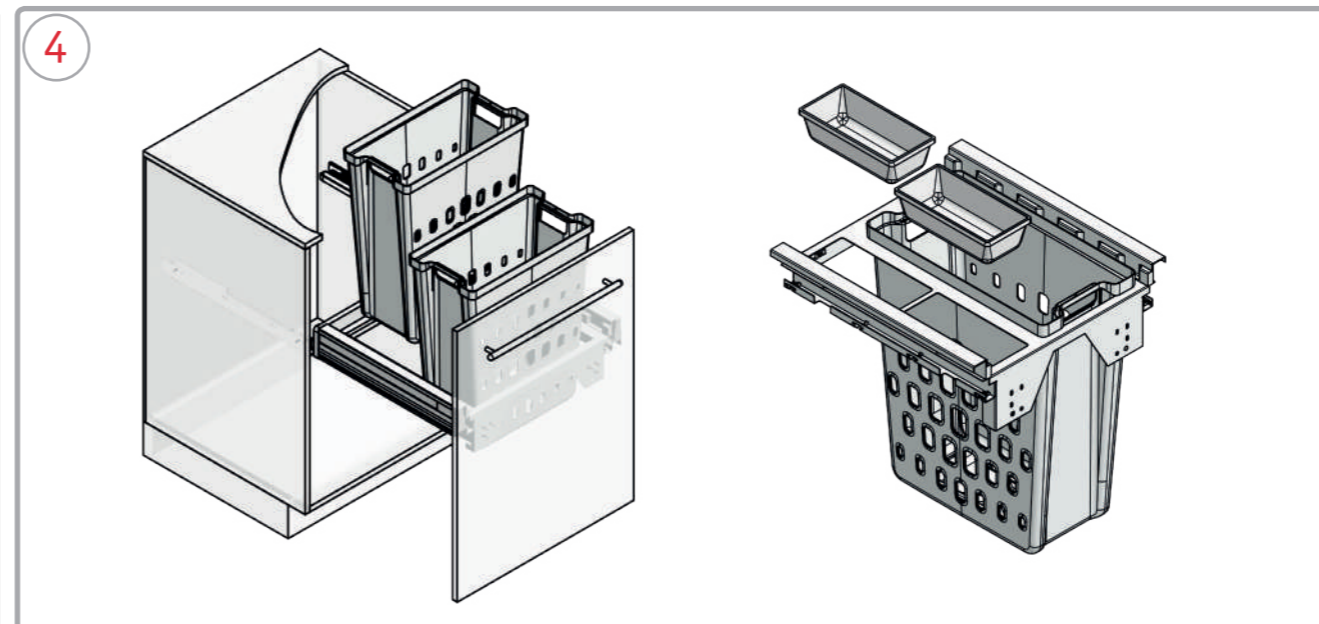
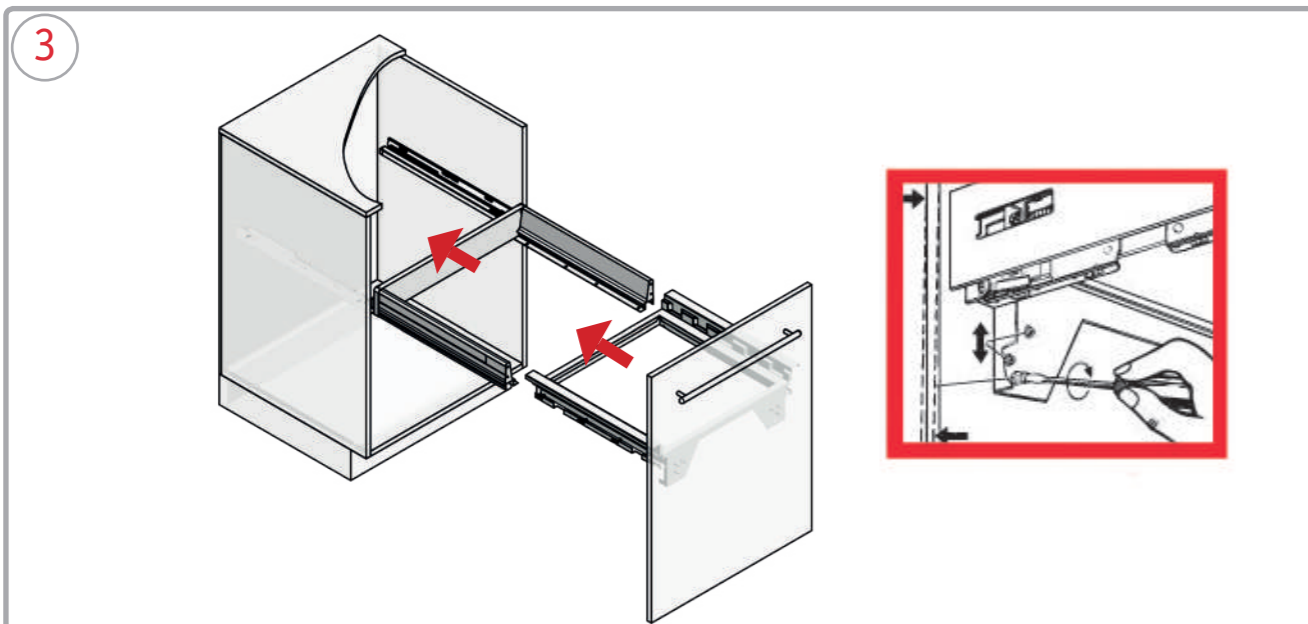
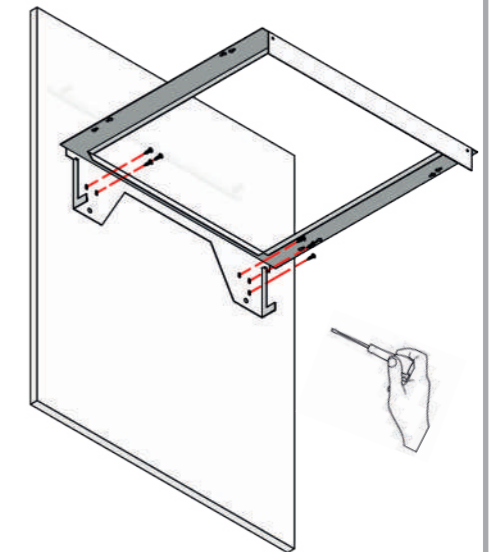
LAB827445-01



LAB827440-01



SW	c	c1
600mm	380mm	332mm
500mm	270mm	222mm
450mm	191mm	143mm
400mm	191mm	143mm



Die Pflege und Reinigung kann mit handelsüblichen Reinigungsmitteln erfolgen.

The waste bin can be cleaned with commercial household cleaner.

La poubelle peut être nettoyée avec produits de nettoyage usuels.

El cubo de basura se puede limpiar con limpiador domestico comercial.

Onderhoud en reiniging met normale spoelmid-delen voor huishoudelijk gebruik.

Drawer – M

Webcode
DQBN9A

Planning

Space requirement in cabinet	Installation dimensions – front – screw-on	Drilling distances – front – EXPANDO front	Installation dimensions – back
<p>* +1 mm if cabinet profile is installed before the cabinet is assembled</p> <p>** Incl. 2 mm tilt adjustment</p>	<p>FA Front overlay</p> <p>* +1 mm if cabinet profile is installed before the cabinet is assembled</p>	<p>* +1 mm if cabinet profile is installed before the cabinet is assembled</p>	

Hole spacing – cabinet profiles

Cabinet profile 750 – 40 kg
Nominal length NL (mm)

270	
300 350	
400 450 500	
550 600	

Cutting – 16 mm chipboard

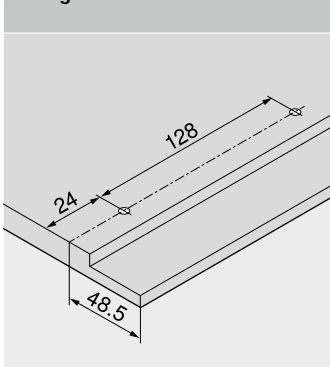
<p>Base</p> <p>Chipboard back NL – 10 mm</p> <p>Steel back NL – 21 mm</p> <p>LW – 35 mm</p> <p>Notch dimensions: 16, 38</p>	
<p>KB Cabinet width</p> <p>LW Internal cabinet width</p> <p>NL Nominal length</p>	

Cabinet profile 753 – 70 kg

Nominal length NL (mm)

450	
500 550 600	
650	

Drilling distances – drawer base



Internal cabinet depth LT min. = nominal length NL + 3 mm

Page instructions

Overview – LEGRABOX	205	Overview – TIP-ON BLUMOTION for LEGRABOX	249	Overview – assembly devices	561
Fixing system for thin fronts – EXPANDO T	554	Overview – TIP-ON for LEGRABOX	255	More technical details	662
Assembly recommendation and limitation of liability – EXPANDO T	555	Overview – AMBIA-LINE for LEGRABOX	503	Assembly, removal and adjustment 	
Overview – SERVO-DRIVE for LEGRABOX TANDEMBOX	321	CABLOXX	552		
		Accessories – steel back	243		
		Accessories	243		
		Cabinet profile fixing positions	247	Short-URL	
				www.blum.com/a310	