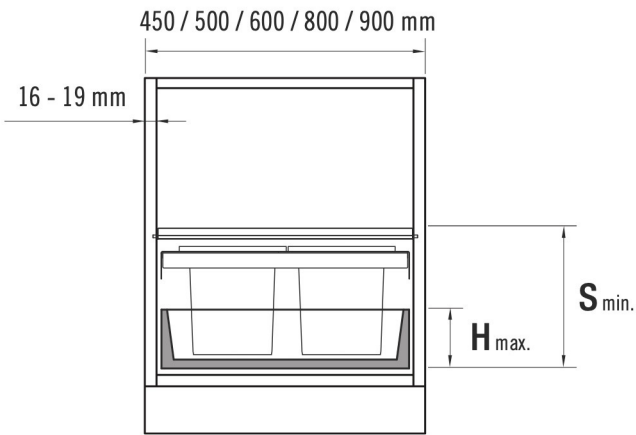
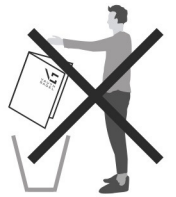
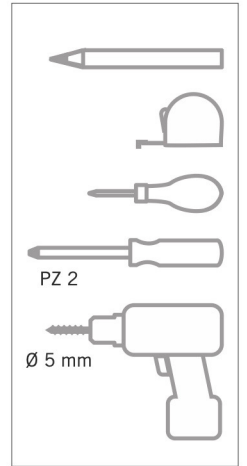
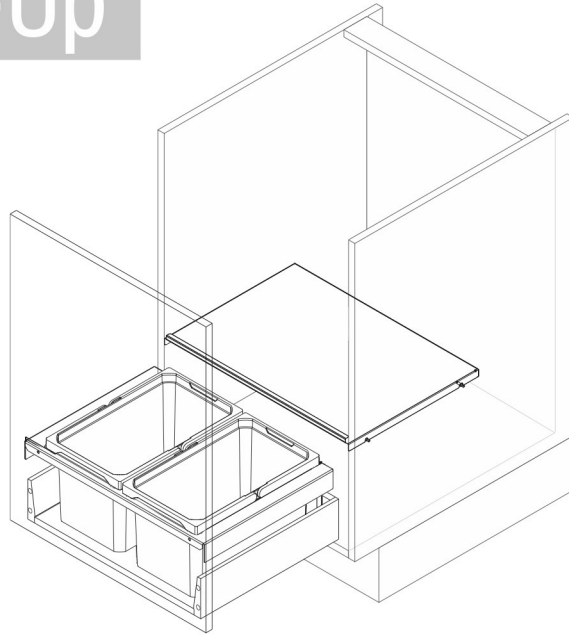
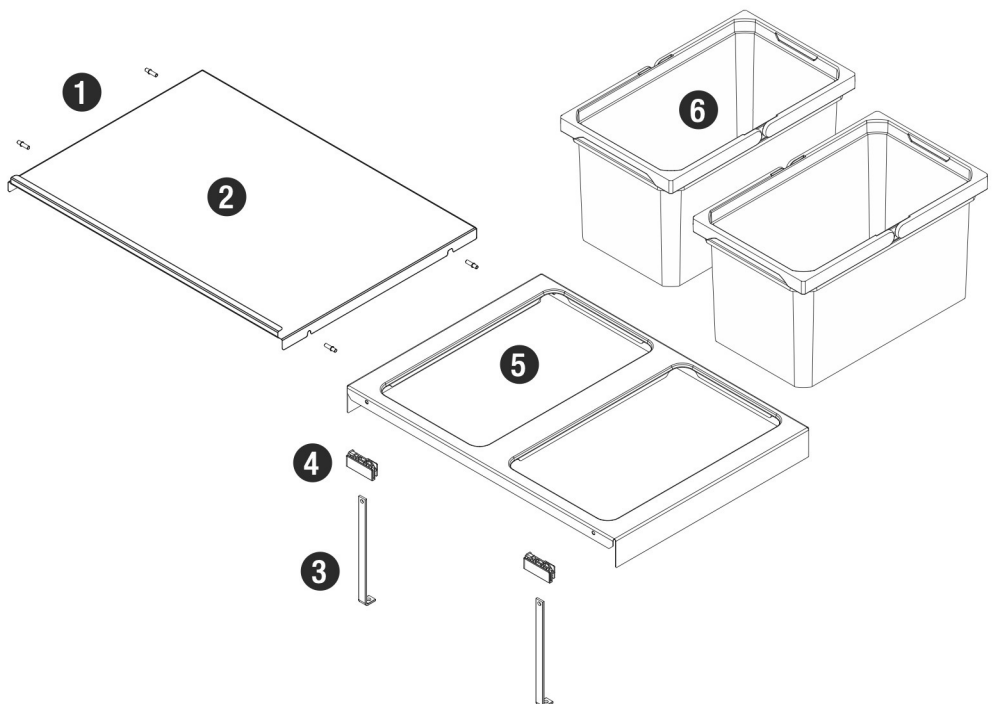


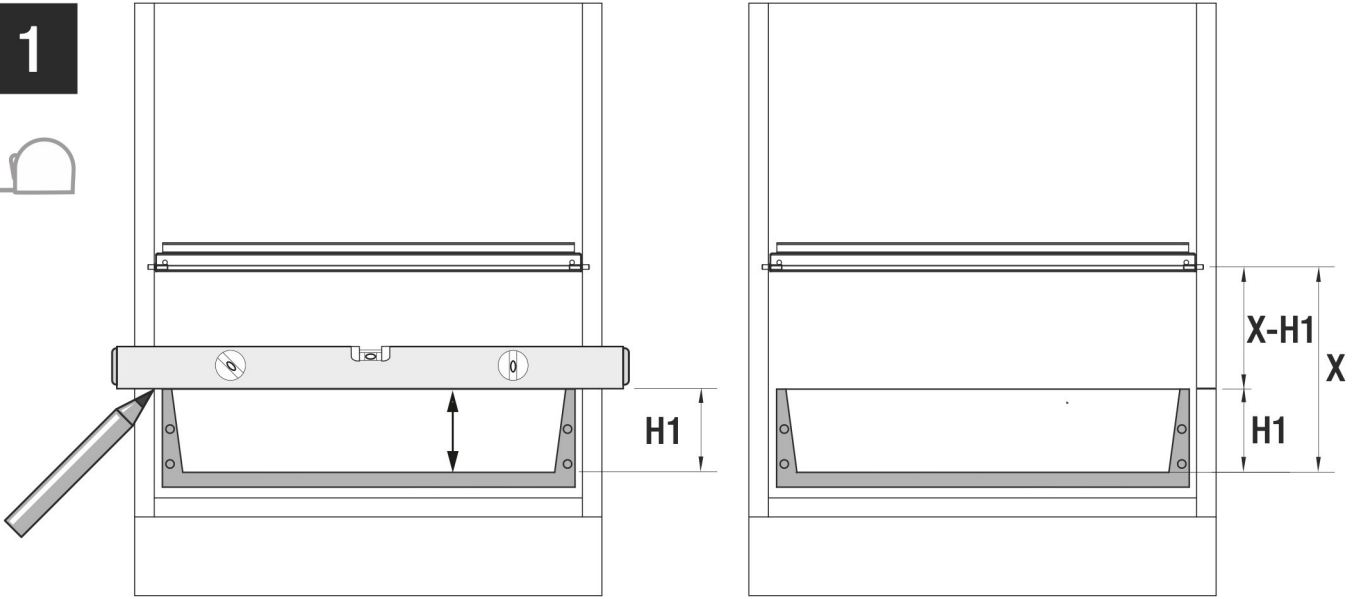
# Cox Stand-Up






	<b>S<sub>min.</sub></b>	<b>H<sub>max.</sub></b>
216 mm	250 mm	144 mm
256 mm	282 mm	177 mm
326 mm	352 mm	247 mm

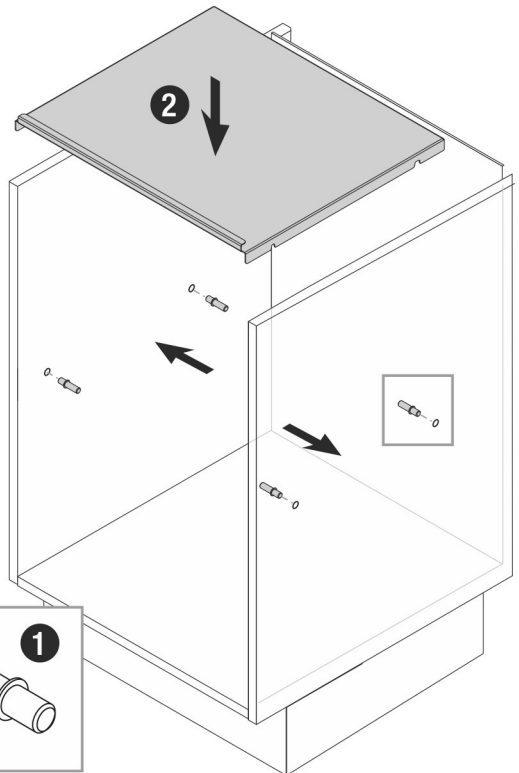
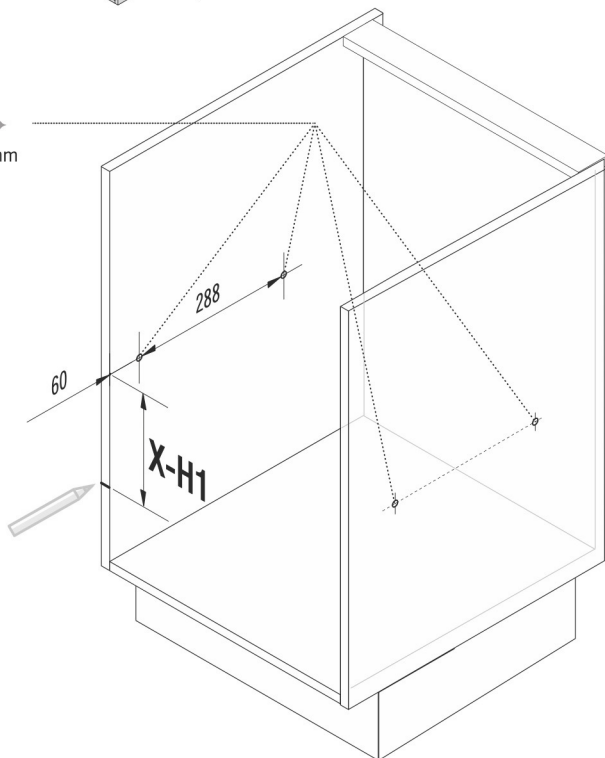
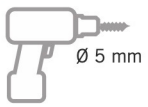
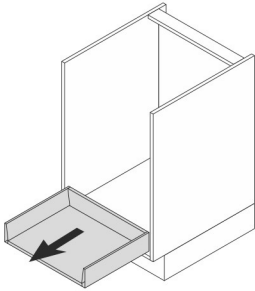


1



	 216 mm	 256 mm	 324 mm
<b>X</b>	222 mm	254 mm	324 mm

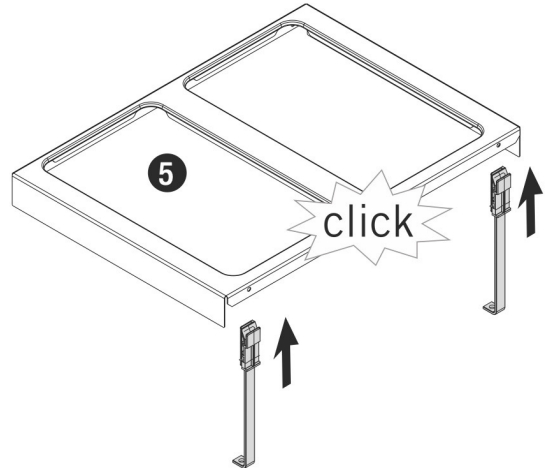
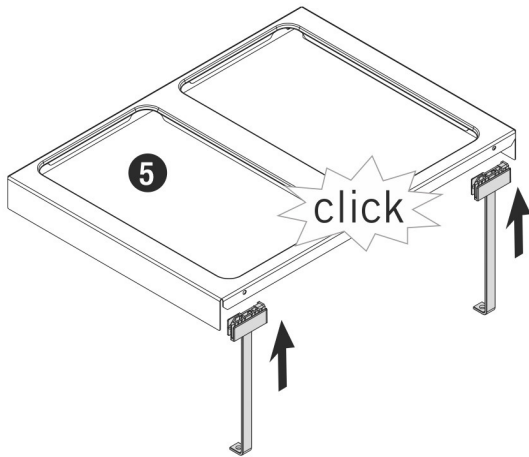
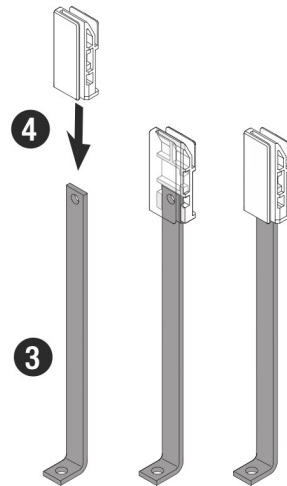
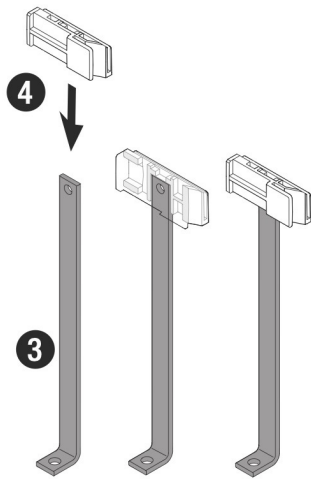
2



**3**



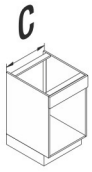
<p>216 mm</p>	<p>256 mm</p>	<p>326 mm</p>
<p>189 mm</p>	<p>189 mm</p>	<p>291 mm</p>



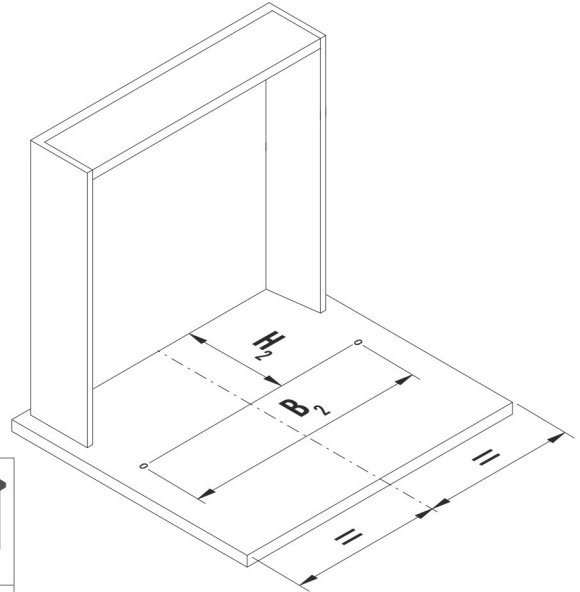
**4**



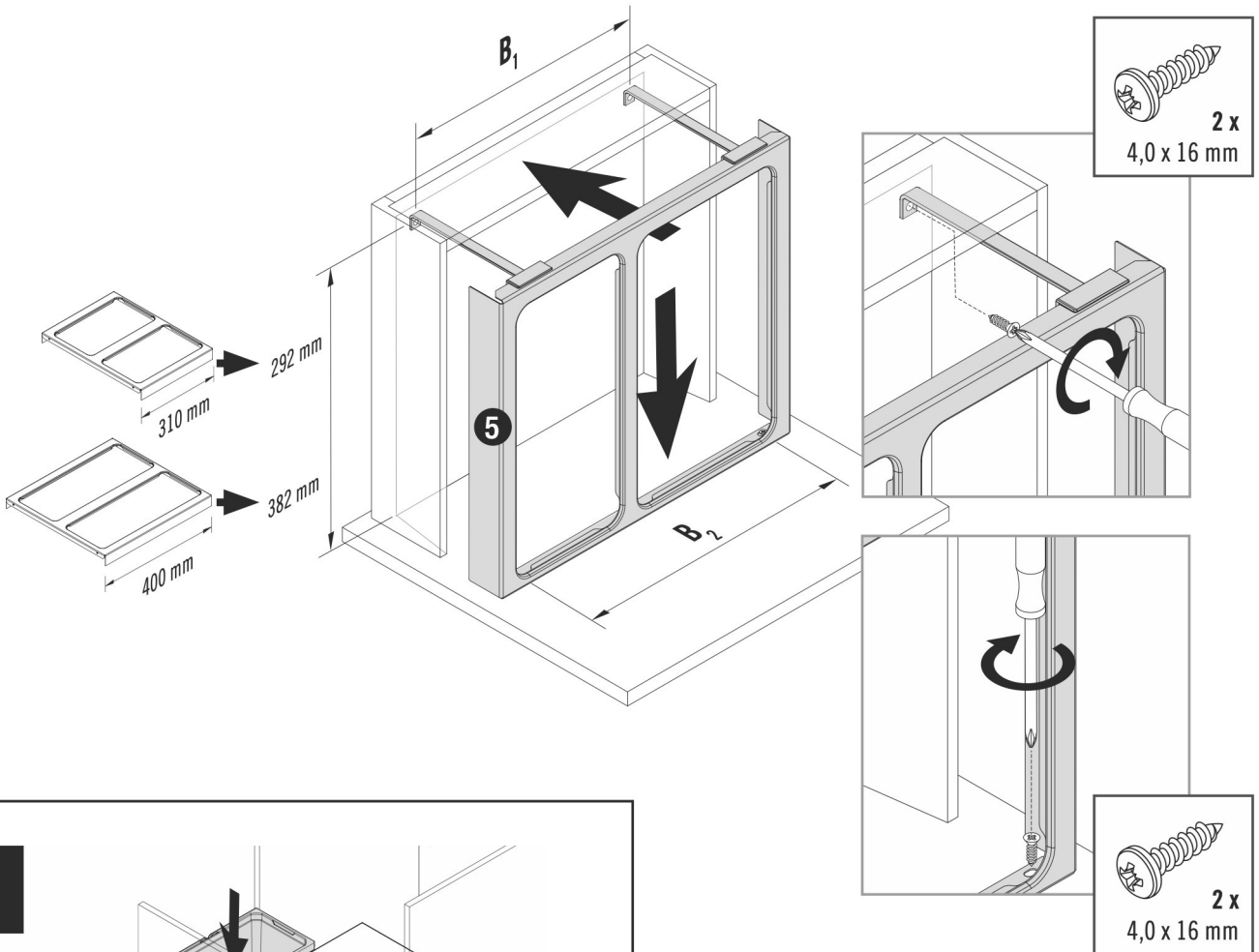
PZ 2



C	B <sub>1</sub>	B <sub>2</sub>
C 500	332 mm	401 mm
C 600	432 mm	501 mm
C 800	632 mm	701 mm
C 900	732 mm	801 mm



H <sub>2</sub>	173 mm	205 mm	275 mm



**5**

