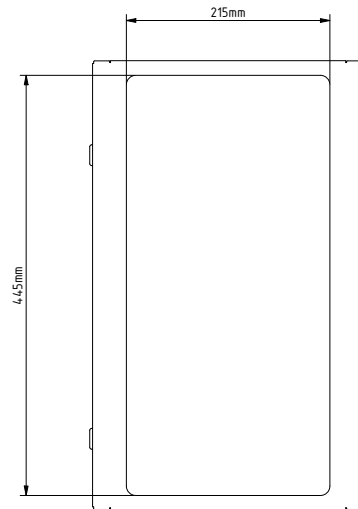
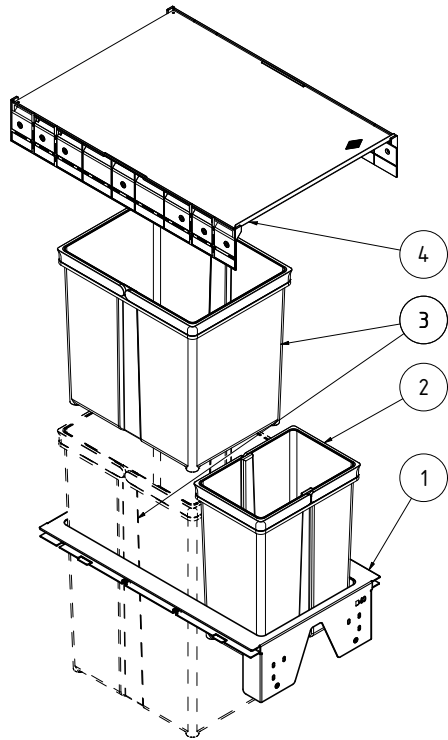


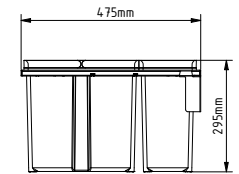
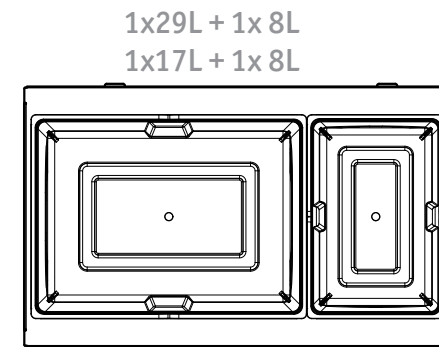
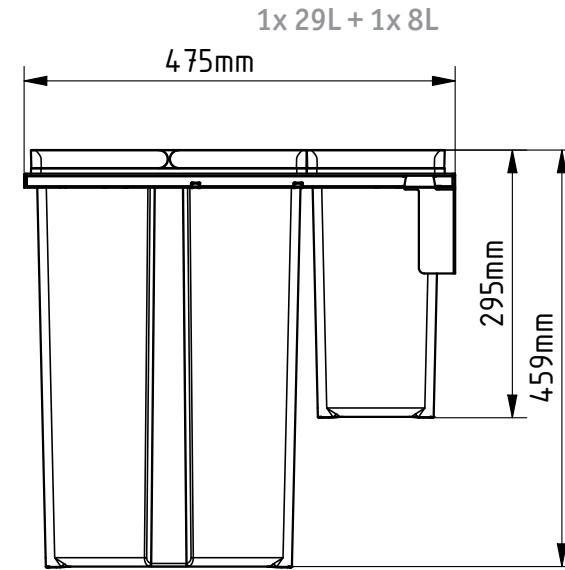
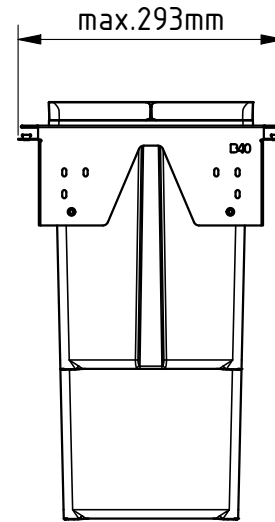


# Zusammenstellung für PB Z Blum Easy 40 T500

## Arrangings for PB Z Blum Easy 40 T500



827400-XX\* Rahmen/ Frame



1x 17L + 1x 8L/  
3x 8L

### Artikelliste/ List for items

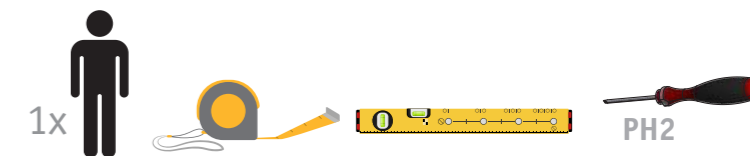
Objekt/ object	Anzahl/ parts	Artikel-Nr./ item No.	Beschreibung/ description
1	1	827400-XXE*	PB Blum Easy 40 T500 Rahmen/ Frame
2	1/3	M8366208-XX*	8 Liter Einsatz / 8 litre Bin
3	1	M8366217-XX* M8366229-XX*	17 Liter Einsatz / 17 litre Bin 29 Liter Einsatz / 29 litre Bin
4	1	818540-XX*	2 Deckelemente m. Befestigungsschienen/ 2 lid elements with mounting rail

### Farbe/ colour \*-XXE/ -XX\*

-72E / -5/ -72	-85E/ -1/ -11
Oriongrau/ oriongrey	Alugrau/ alugrey



# Pullboy Z easy Blum



Einbaurahmen für Abfallsammler/ build-in frame for waste bins/ Cadre d'installation pour poubelles/ Marco para empotrar Recolector de residuos/  
Verzonken frame Afvalbak

**1**

	H
8 L	288mm
17 L	453mm
29 L	360mm
30 L	497mm

**2**

**3**

**4**

	h1	SW 60cm	SW 50cm	SW 45cm	SW 40cm	SW 30cm
8 L	230mm	b				
17 L	395mm	392mm	270mm	270mm	191mm	119mm
29 L	302mm					
40 L	439mm					

Die Pflege und Reinigung kann mit handelsüblichen Reinigungsmitteln erfolgen

The waste bin can be cleaned with commercial household cleaner

La poubelle peut être nettoyée avec produits des nettoyage usuels

El cubo de basura se puede limpiar con limpiador domestico commercial

Onderhoud en reiniging met normale spoelmiddelen voor huishoudelijk gebruik

## Box systems

**blum**

- ▶ TANDEMBOX antaro
- ▶▶ Standard cabinet



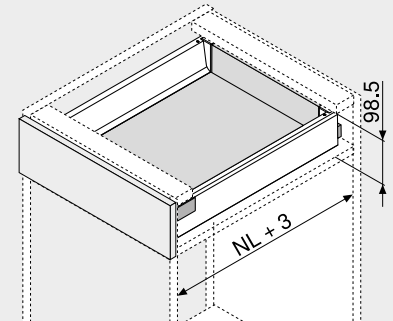
### Drawer – M

Webcode  
DQC2QM



- Concealed, guided full extension – unsurpassed running action – for the lifetime of the furniture
- Steel drawer side and stainless steel
- Tool-free front assembly
- 2-dimensional front adjustment
- Includes integrated **BLUMOTION** for silent and effortless closing action, can be combined with **SERVO-DRIVE**
- Or with an integrated **TIP-ON** function for handle-less fronts

#### Space requirement



NL Nominal length

#### Order information

1	Cabinet profiles left/right		2	Left/right drawer sides	
Nominal length	Dyn. carrying capacity (kg)		Nominal length	Colour	
NL (mm)	30	65	NL (mm)	SW   TS   R9006	INGL
270	578.2701B		270	378M2702SA	378M2702IA
300	578.3001B		300	378M3002SA	378M3002IA
350	578.3501B		350	378M3502SA	378M3502IA
400	578.4001B		400	378M4002SA	378M4002IA
450	578.4501B	576.4501B	450	378M4502SA	378M4502IA
500	578.5001B	576.5001B	500	378M5002SA	378M5002IA
550	578.5501B	576.5501B	550	378M5502SA	378M5502IA
600	578.6001B	576.6001B	600	378M6002SA	378M6002IA
650		576.6501B	650	378M6502SA	378M6502IA

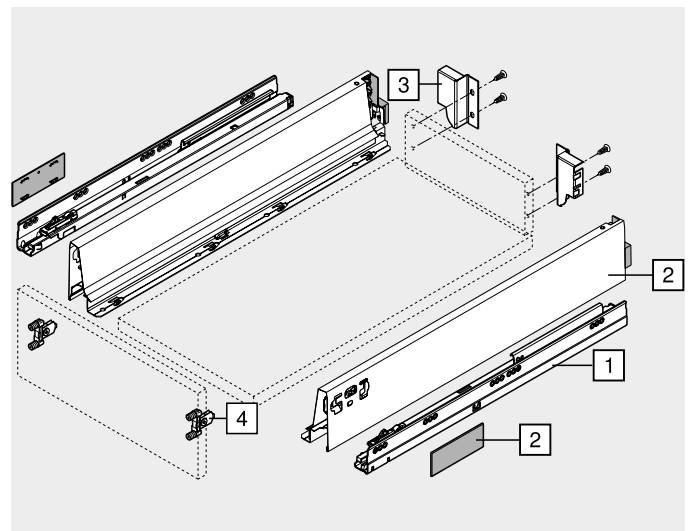
For the order specification for TIP-ON, see motion technologies section

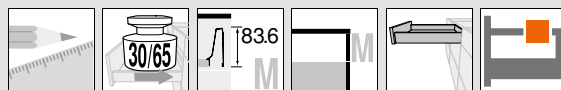
Incl. cover caps (Can be individually printed – minimum order quantity 1000 items)

3	Back fixing left/right		
Colour	Material	Part no.	
SW   TS   R9006   NI	Steel	Z30M000S.04	

4	Front fixing bracket		
Fixing method	Part no.		
INSERTA	2 x	ZSF.3902	
Screw-on	2 x	ZSF.3502	
Knock-in	2 x	ZSF.3602	

Colour		Colour	
SW	Silk white	WGR	White grey
TS	Terra black	R7037	RAL 7037 dust grey
R9006	RAL 9006 grey (white aluminium)	NI	Nickel plated
INGL	Stainless steel (Inox) Anti-fingerprint	NI-M	Matt nickel
S	Black		





Drawer – M

Webcode  
DQC2QM

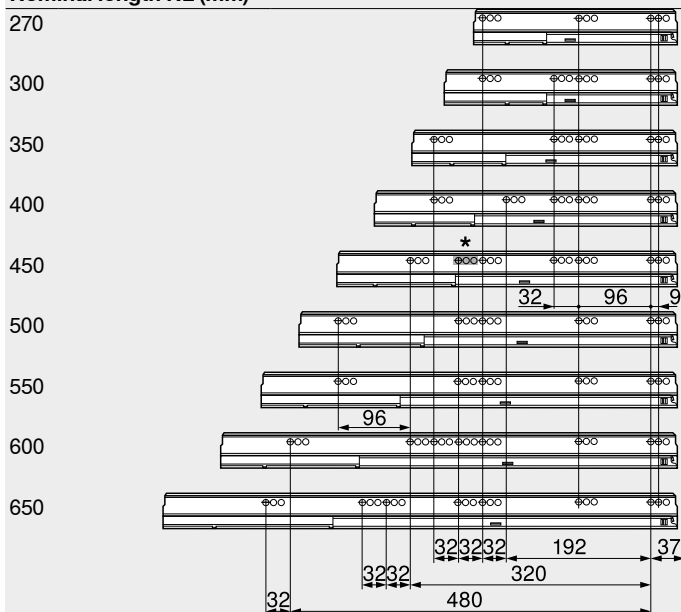
Planning

Space requirement in cabinet	Installation dimensions – front – screw-on	Drilling distances – front – INSERTA/knock-in	Installation dimensions – back

FA Front overlay

Screw position – cabinet profiles

Nominal length NL (mm)



Internal cabinet depth LT min. = nominal length NL + 3 mm  
\* Only for 578.4501B (30 kg)

Cutting – 16 mm chipboard

	Back 84 mm	
	Base Chipboard back NL – 24 mm Steel back NL – 22 mm	

KB	Cabinet width
LW	Internal cabinet width
NL	Nominal length

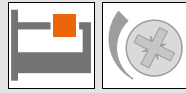
Page instructions

Overview – TANDEMBOX antaro	303	Accessories	342
Overview – SERVO-DRIVE for LEGRABOX/TANDEMBOX	555	Cabinet profile fixing positions	350
TIP-ON for TANDEMBOX	664	Assembly, removal and adjustment	352
Overview – ORGA-LINE for TANDEMBOX	509	Overview – assembly devices	683
Accessories – steel back	344	More technical details	774

# Box systems

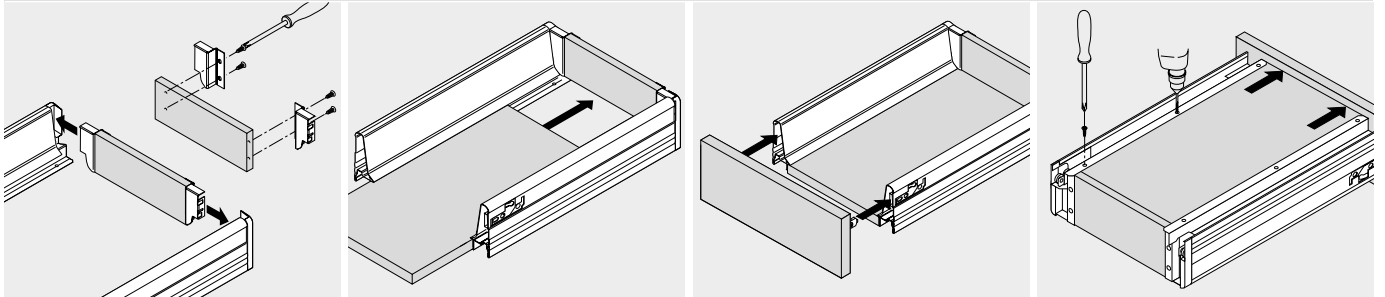


- ▶ TANDEMBOX antaro
- ▶▶ Assembly, removal and adjustment



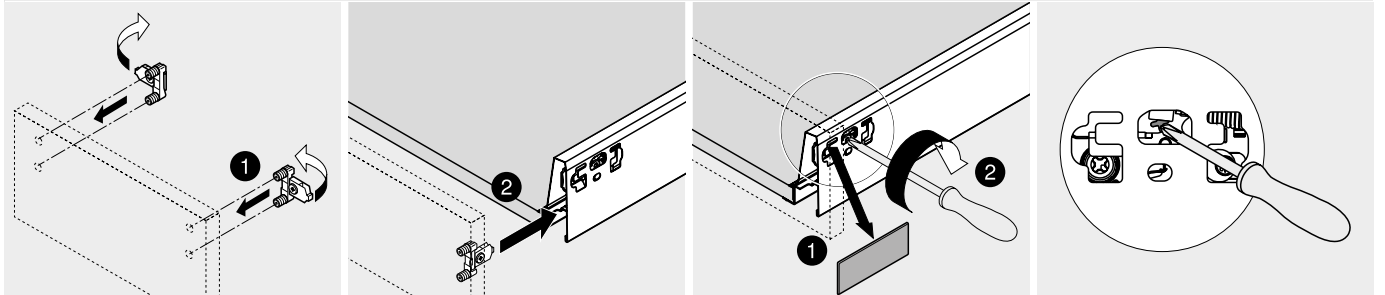
Box systems

## Drawer



Assembly

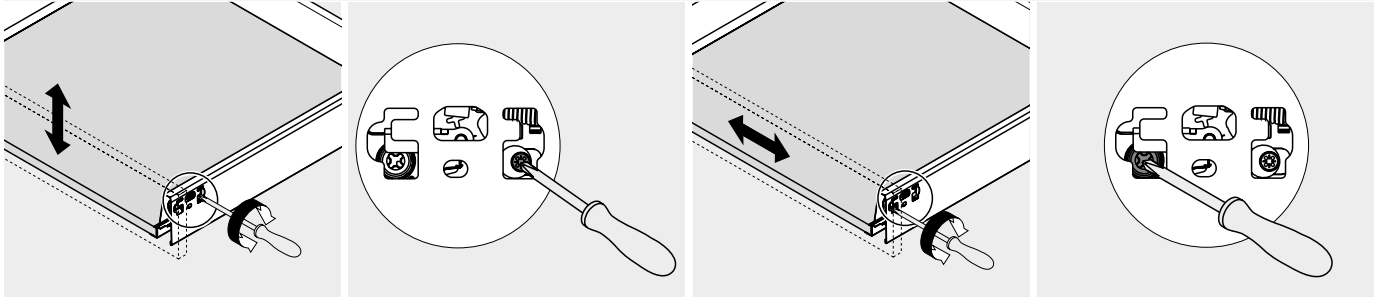
## Drawer



Assembly

Removal

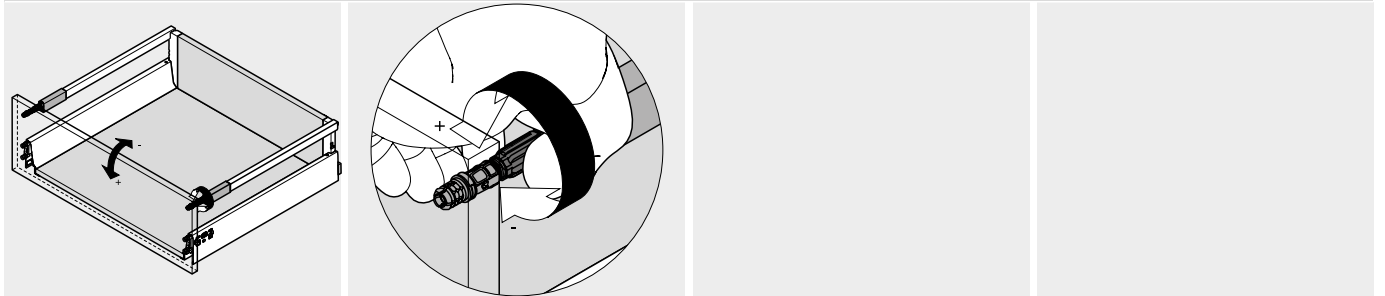
## Adjustment



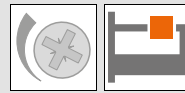
Height adjustment

Side adjustment

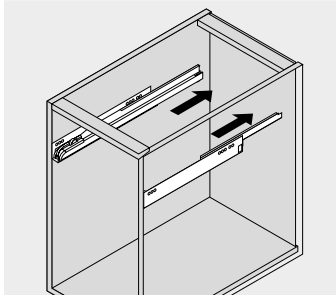
## Adjustment



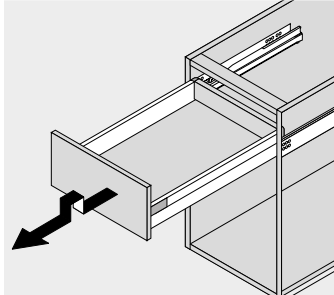
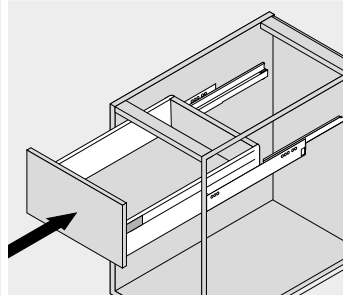
Tilt adjustment



Drawer insertion and removal

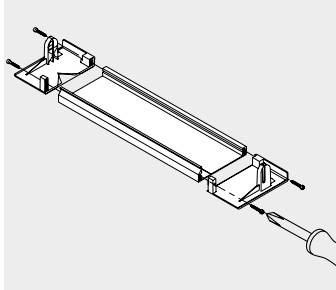


Insertion

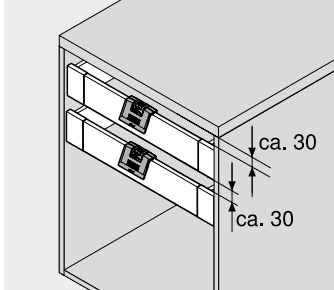
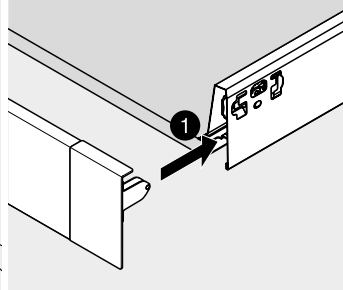


Removal

Inner drawer

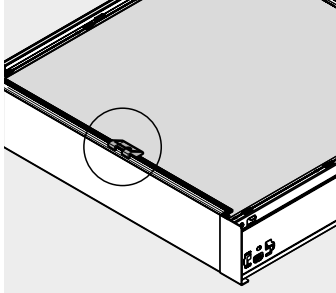


Assembly

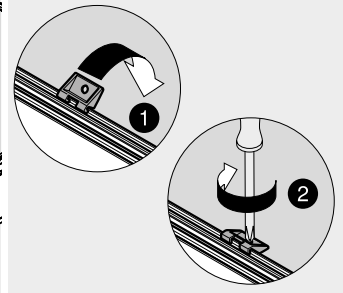


30 mm dimension can be reduced if ZIF.80M5 handle is utilised

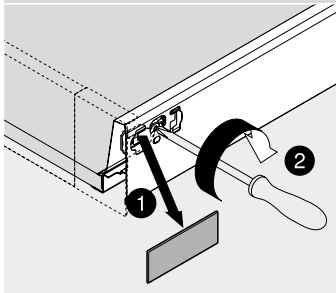
Locking piece – Z31A0008



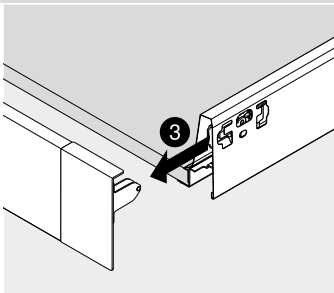
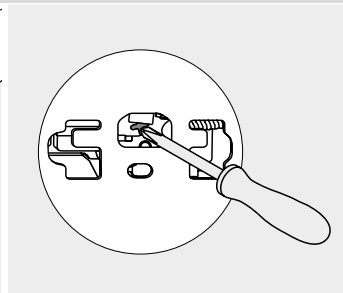
Starting with cabinet width KB  
 600 mm



Inner drawer



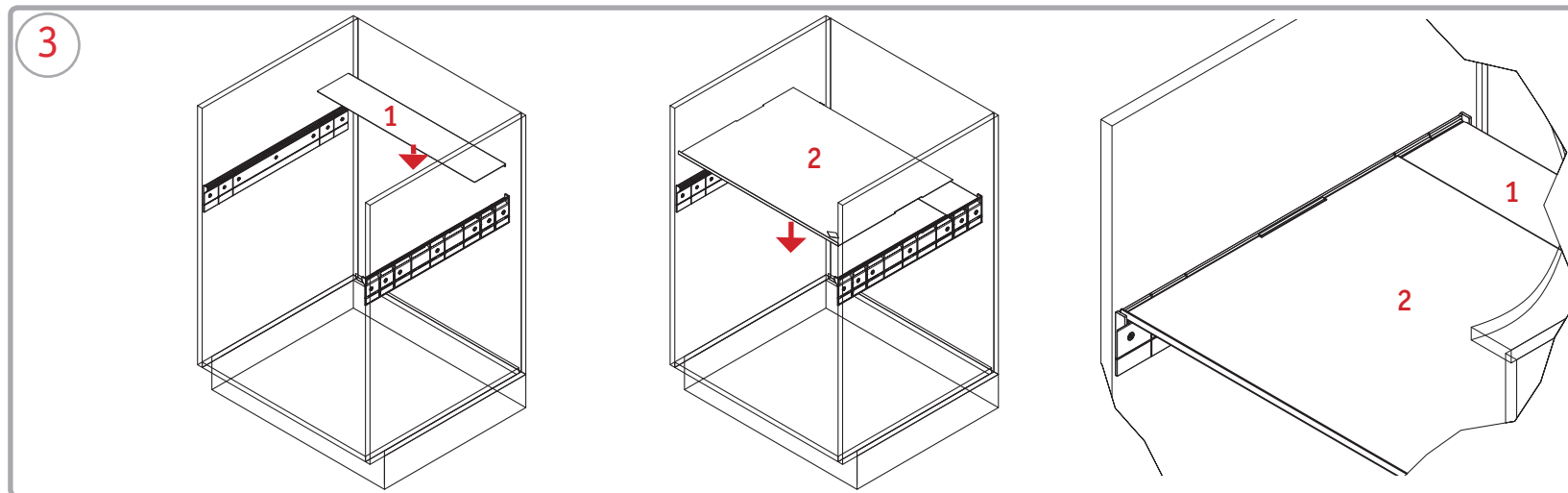
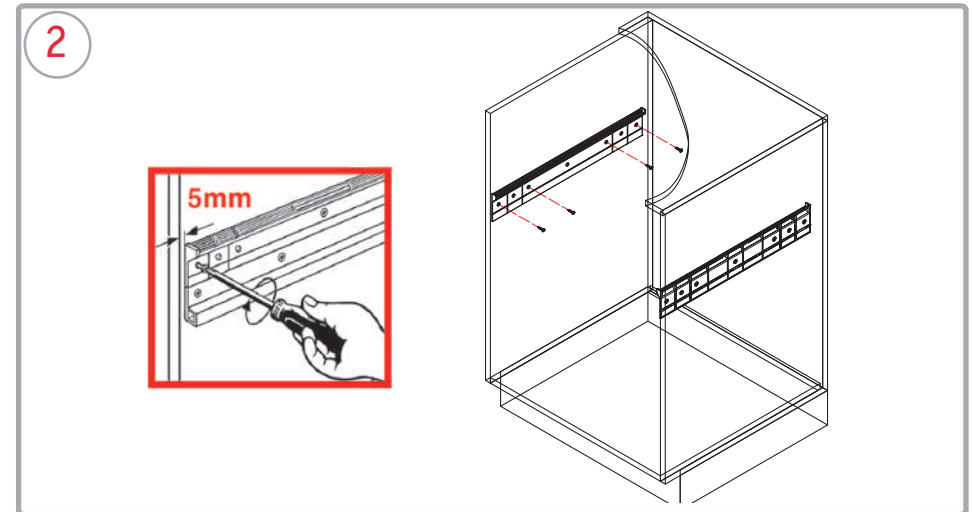
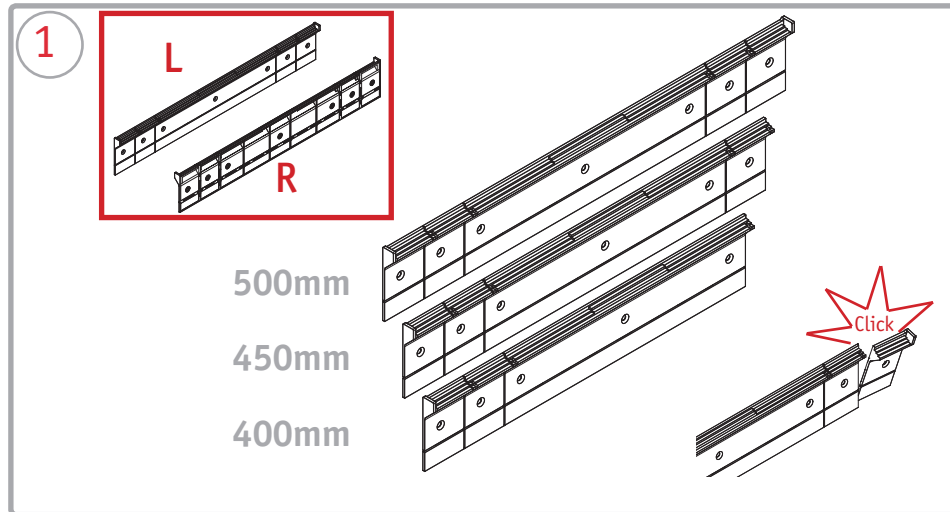
Removal





# Universaldeckelsystem

Universal cover system



Die Pflege und Reinigung kann mit handelsüblichen Reinigungsmitteln erfolgen.

The waste bin can be cleaned with commercial household cleaner.

La poubelle peut être nettoyée avec produits des nettoyage usuels.

El cubo de basura se puede limpiar con limpiador domestico comercial.

Onderhoud en reiniging met normale speelmid-delen voor huishoudelijk gebruik.