

Smart Toilet INSTALLATION INSTRUCTIONS

Swiss Madison
well made forever



TOUCHLESS
technology

@SwissMadison
#WellMadeForever





PRIOR TO INSTALLATION:

- Inspect toilet to ensure no damages have occurred while in shipping.
- Observe all plumbing and building codes in accordance with your state and local requirements.
- All dimensions are nominal! Be sure to measure your toilet prior to installation.
- The step-by-step guidelines in the installation instructions are a general reference. Should there be any discrepancies, Swiss Madison cannot be held liable. It is recommended to install all Swiss Madison products by hiring a licensed professional.
- Read installation and maintenance instructions thoroughly before installing. Be sure to use proper tools and always wear proper personal safety accessories for your protection.
- Two people are recommended to handle and install this product as it is fragile.

If you have any questions or concerns please contact us:

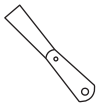
1-434-623-4766

info@swissmadison.com

SUGGESTED TOOLS & MATERIALS:



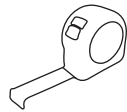
Safety Glasses



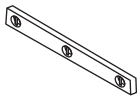
Putty Knife



Wrench



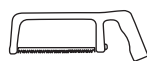
Tape Measure



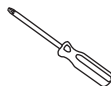
Level



Flexible Supply Tube



Hacksaw



Screwdriver

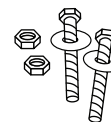
INCLUDED PARTS:



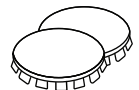
One-Piece Toilet



Wax Ring/
Gasket



Bolts



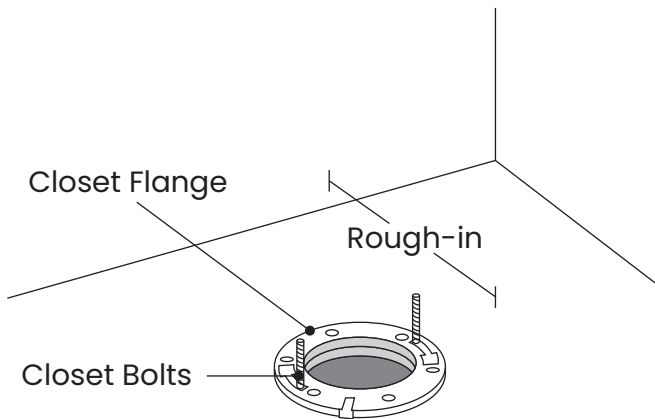
Cover Caps

1. Turn Off Water Supply

- Close toilet supply valve and flush tank completely, use towel to remove excess water.
- Disconnect and remove supply line, if you are replacing the valve shut main water supply first.
- Remove closet bolts from flange and clean wax and putty from base area.

3. Install Closet Bolts

- Install closet bolts to flange channel, turn 90° and slide into place 6" (152mm) apart and parallel to wall.

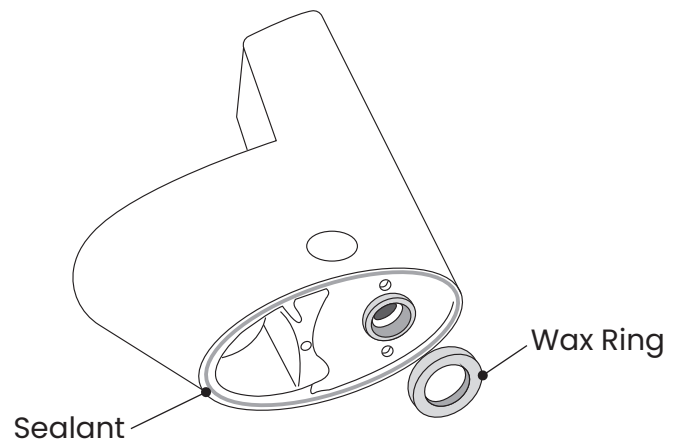


2. Rough-In the Toilet

- Measure the wall from behind the toilet to the middle of the closet bolt. Your rough-in measurement should be 12".

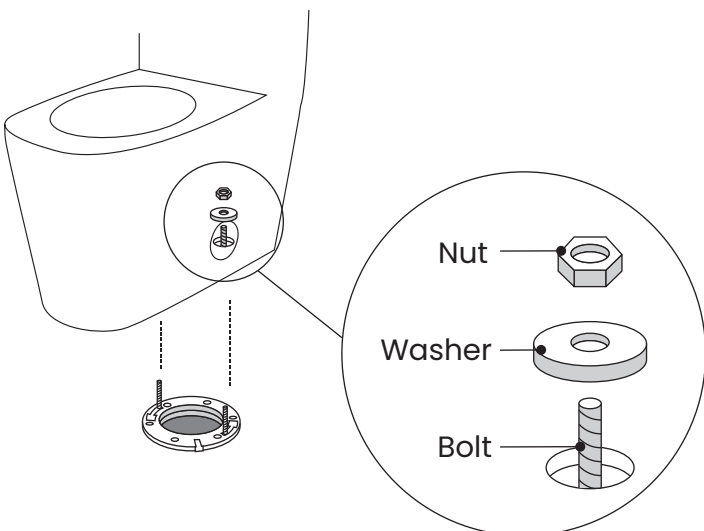
4. Install Wax Seal

- Invert toilet on floor (use cushion to prevent damage), and install wax ring evenly around waste flange with tapered end of ring facing toilet. Apply a thin bead of sealant around toilet base.



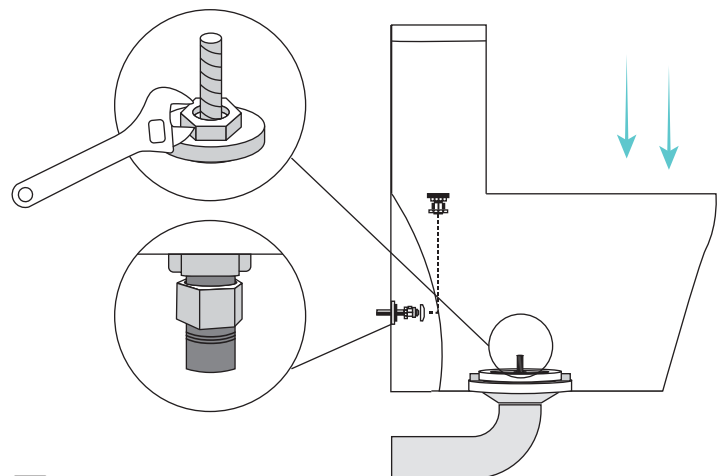
5. Position Toilet on Flange

- Hand-tighten water supply hose to the fill valve in the back of the toilet. Do not connect to water supply yet.
- Unplug floor waste opening and install toilet on closet flange so bolts project through the mounting holes.
- Loosely install retainer washers and nuts.



6. Install Toilet

- Position toilet square to wall and, with a rocking motion, press bowl down fully on wax ring and flange. Alternately tighten nuts until toilet is firmly sealed to floor. Do not over-tighten nuts, it might crack ceramic.
- Smooth off the bead of sealant around the base. Remove excess sealant.
- Place cover caps to hide installation holes on toilet.
- Connect water supply to shut off valve, and check for leaks. Tighten if necessary.





PRIOR TO INSTALLATION:

- Inspect bidet to ensure no damages have occurred while in shipping.
- Observe all plumbing and building codes in accordance with your state and local requirements.
- All dimensions are nominal! Be sure to measure your toilet seat prior to installation.
- The step-by-step guidelines in the installation instructions are a general reference. Should there be any discrepancies, Swiss Madison cannot be held liable. It is recommended to install all Swiss Madison products by hiring a licensed professional.
- Read installation and maintenance instructions thoroughly before installing. Be sure to use proper tools and always wear proper personal safety accessories for your protection.
- Please use the new hose sets supplied with the product. Do not use other hose sets with the product.
- Open angle valve to clear any impurities in the pipe prior to installation.
- Water supply pressure must be 0.1-0.75MPa.

If you have any questions or concerns please contact us:

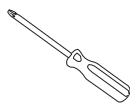
1-434-623-4766

info@swissmadison.com

SUGGESTED TOOLS & MATERIALS:



Wrench

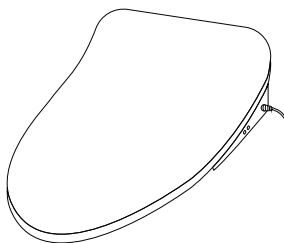


Screwdriver

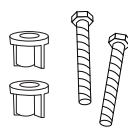


Bucket &
Rag

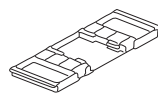
INCLUDED PARTS:



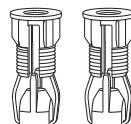
Smart Seat
Bidet



Nuts &
Bolts



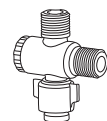
Fixing
Plate



Expansion
Bolts



Adjustment
Sheets



T-Pipe



Inlet
Hose

When using electrical products, especially when children are present, basic safety precautions should always be followed:

1. The appliance is not to be used by people (including children) with reduced physical, sensory, mental capabilities, or lack of experience and knowledge, unless they have been given supervision or instruction.
2. Children should be supervised and instructed not to play with the appliance.
3. Cleaning and user maintenance shall not be done by children without supervision.

READ ALL INSTRUCTIONS BEFORE USING

⚠ DANGER - To reduce the risk of electrocution:

1. Do not use while bathing.
2. Do not place or store product where it can fall or be pulled into a tub or a sink.
3. Do not place in or drop into water or other liquid.
4. Do not reach for a product that has fallen into water. Unplug immediately.
5. Do not wash the main unit or electrical plug with water or detergent.
6. Do not handle the electrical plug with wet hands.
7. Do not put a hand or other object over the outlet of air dryer or block the outlet of air dryer.
8. Never disassemble, repair or modify this product.
9. During installation, disassembly, repair and maintenance of the product, the power plug must be switched off and water supply be shut off.

⚠ WARNING - To reduce the risk of burns, electrocution, fire, or injury:

1. Close supervision is necessary when this product is used by, on, or near children or invalids.
2. Use this product only for its intended use as described in this manual. Do not use attachments not recommended by the manufacturer.
3. Never operate this product if it has a damaged cord or plug, if it is not working properly, if it has been dropped or damaged, or dropped into water. Return the product to a service center for examination and repair.
4. Keep the cord away from heated surfaces.
5. Never use while sleeping or drowsy.
6. Never drop or insert any object into any opening or hose.
7. Do not use outdoors or operate where aerosol (spray) products are being used or where oxygen is being administered.
8. Connect this product to a properly grounded outlet only. See Grounding Instructions.
9. Do not throw cigarettes or other burning stuff into toilet, it may cause a fire.
10. This product is an electric appliance, so it must be placed far away from water.
11. Do not lay the product on side or upside-down during the electrical circuit.
12. It is prohibited to use other electric appliances in the same socket.
13. It is forbidden to use the power extension or unstable loose outlet.
14. An old aging water supply hose cannot be used, otherwise it might cause leakage, fire or electrical shock. Installation of the seat should include specified components and new water supply hose.

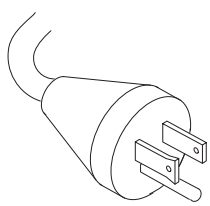
⚠ CAUTION - Failure to follow the instructions may cause body injury or property damage.

1. Do not install or use the product in wet places such as a steam room etc.
2. It is recommended to use a water-proof electrical outlet which should be installed in a place where it cannot easily get wet.
3. Do not stand on product unit, seat or cover.
4. Do not lean against the seat cover when using the product to avoid damage.
5. This product is equipped with soft-closing seal cover. Heavy pressing or pushing may cause damage to the soft-closing damper.
6. Do not use lacquer thinner, petrol, liquid medicine, detergent, insecticide, toilet cleanser and scrubbing brush to clean the product.
7. Exposure to direct sunlight is prohibited.
8. Only use tap water or potable water; otherwise it may cause chafing.
9. Do not connect water supply to heater outlet. Make sure inlet water temperature at 37-95°F.
10. Keep restroom temperature above freezing to prevent the toilet from damage due to freezing.
11. When moving the product from cold to room-temperature wait two hours for water to evaporate. Doing so can prevent the product from electrical short-circuit.
12. Stop using the product and shut off the power if product malfunctions. Please contact a licensed professional.

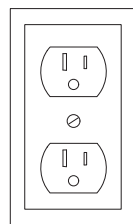
GROUNDING INSTRUCTIONS

This product should be grounded. In the event of an electrical short circuit, grounding reduces the risk of electric shock by providing an escape wire for the electric current. This product is equipped with a cord having a grounding wire with a grounding plug. The plug must be plugged into an outlet that is properly installed and grounded.

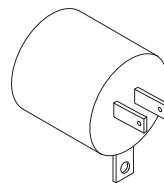
This product is for use on a nominal 120 V circuit, and has a grounding plug (figure A). A temporary adapter (figure C) may be used to connect this plug to a 2-pole receptacle if a properly grounded outlet is not available. The temporary adapter should be used only until a properly grounded outlet (figure B) can be installed by a qualified electrician. The green colored rigid ear, lug, and the like extending from the adapter must be connected to a permanent ground such as a properly grounded outlet box cover. Whenever the adapter is used, it must be held in place by a screw (figure D).



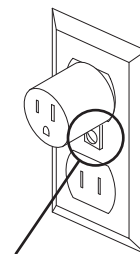
(A) grounding plug



(B) grounded outlet



(C) adapter

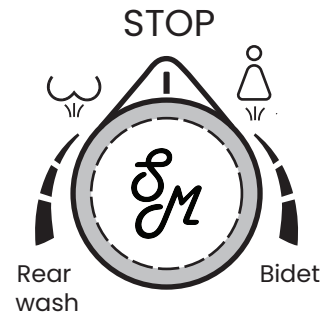
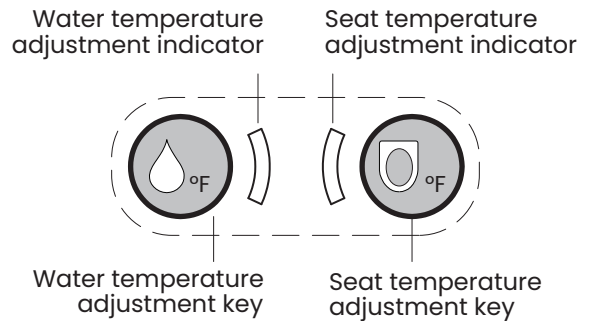
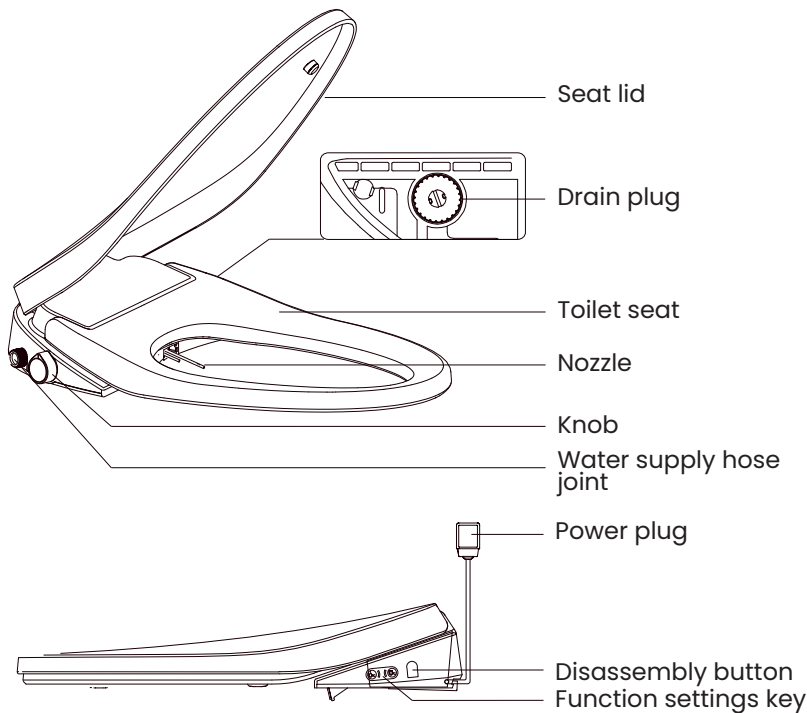


(D) adapter screw

⚠ DANGER - Improper use of the grounding plug can result in a risk of electric shock.

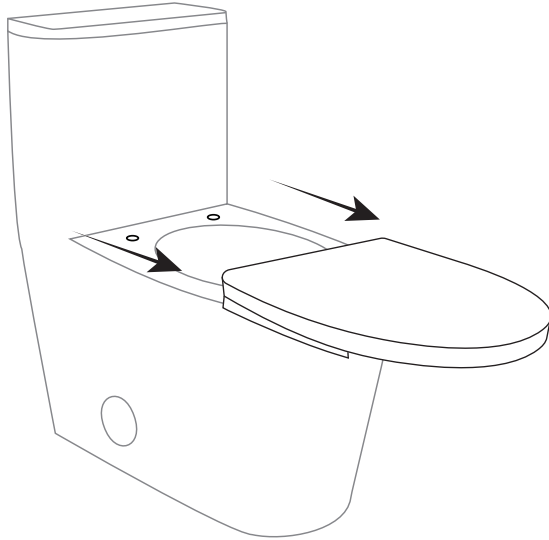
If it is necessary to use an extension cord, use only a three-wire extension cord that has a three-blade grounding plug, and a three-slot receptacle that will accept the plug on the product. Replace or repair a damaged cord. If the supply cord is damaged, it must be replaced by the manufacturer, its service agent or similarly qualified persons in order to avoid a hazard.

SKU	SM-STS21
Water Inlet	Side
Power Cord Inlet	Side
Net Weight	7.05 lb.
Rated Voltage	120V~, 60Hz
Rated Power Consumption	960W (When entering water temperature 15°C, flow rate 600ml/min)
Maximum Power Consumption	1450W/120V
Length of Power Cord	39.4"
Water Supply Pressure	0.1 ~ 0.75MPa
Water Supply Temperature	39 ~ 95°F
Ambient Temperature	39 ~ 104°F
Protection Class	IPX4
Water Volume	≤0.7L/min(at a water pressure of 0.18 MPa), stepless regulation
Water Temperature	3 Settings (Normal temp/95/100°F)
Water Heater Power Consumption	1400W/120V
Seat Temperature	3 Settings (Room temp/91/99°F)
Seat Heater Power Consumption	50W/120V
Nozzle & Seat	Antibacterial Material
Slow Closing Seat/Lid	Yes



1. Remove Old Seat

- Remove old seat according to manufacturer's instructions.



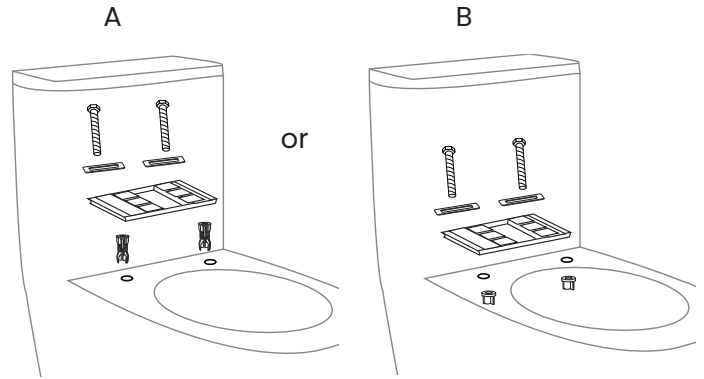
2. Install Mounting Hardware

Installation A:

- Insert expansion bolts into ceramic holes.
- Place the fixing bracket over the expansion bolts, followed by the adjustment sheets then screws.
- Tighten screws with screwdriver.

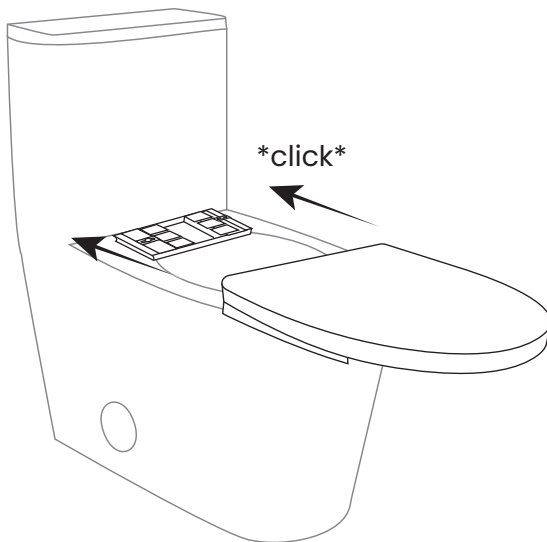
Installation B:

- Place the fixing bracket over ceramic holes, followed by the adjustment sheets then screws.
- Tighten nuts underneath screws.



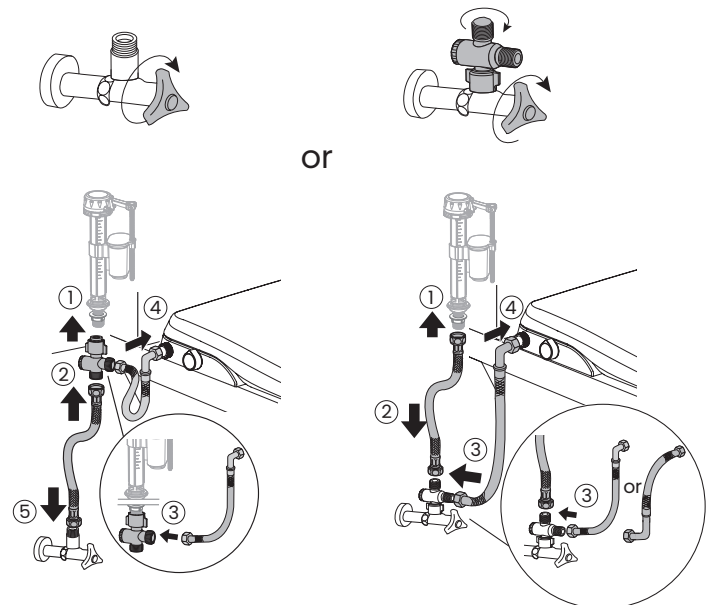
3. Attach Seat

- Slide seat onto fixing bracket until you hear a "click."



4. Connect Water Supply

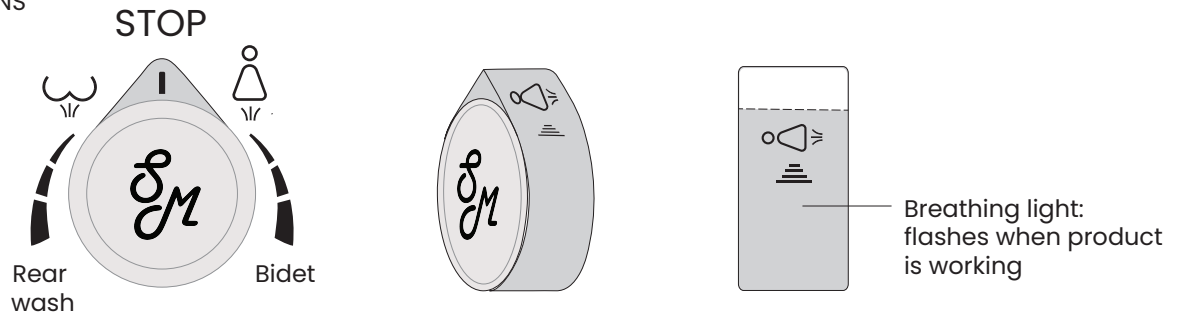
- Close the angle valve and fix the tee junction to the angle valve. Ensure the rubber sealing ring is loaded.
- Connect water supply hoses to inlet valve and bidet seat outlet.
- Turn on water and check for leaks.



DEFAULT SETTINGS

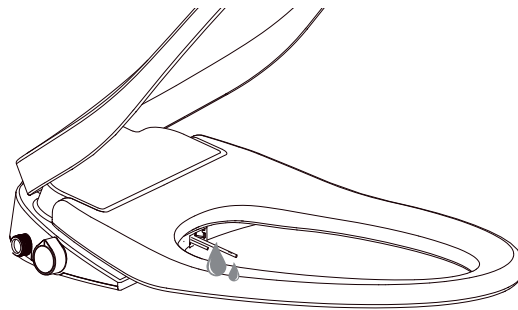
- When power is on the product will self test, when self test is over it will make a sound to notify the user it is ready to be used.
- The water temperature default is about 95°F.
- The seat temperature default is about 91°F.
- The knob light and night light are always on.

KNOB FUNCTIONS



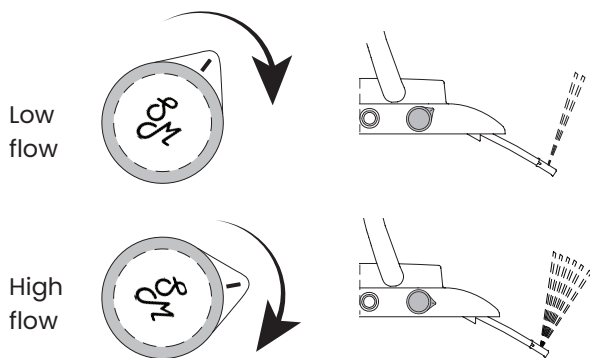
SELF CLEANING FUNCTION

- When the seat senses a person sitting, it will start self-cleaning the nozzles.
- After washing is complete, the seat will self-clean the nozzles.



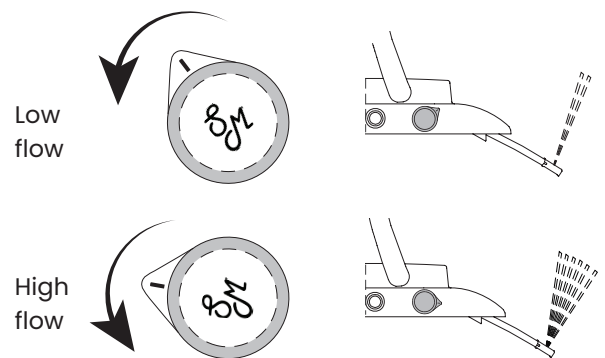
BIDET FUNCTION

- Rotate the knob clockwise to adjust flow.
- After self-cleaning the nozzle extends and sprays water.



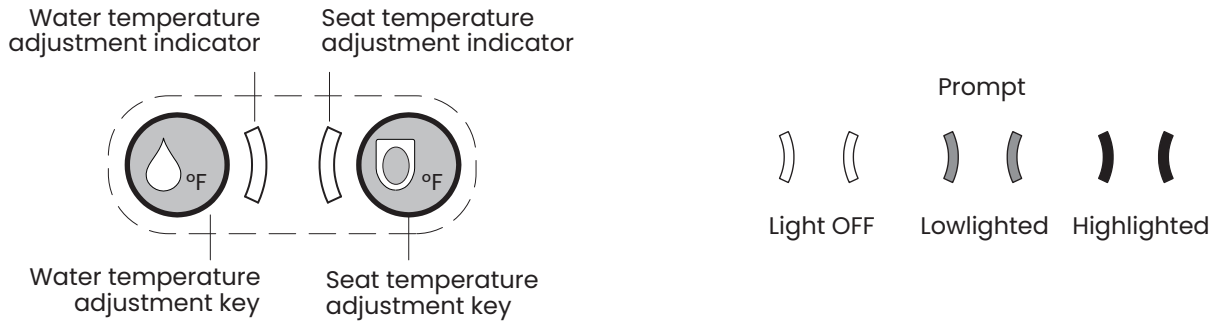
REAR WASH FUNCTION

- Rotate the knob counterclockwise to adjust flow.
- After self-cleaning the nozzle extends and sprays water.



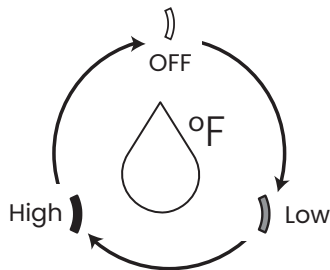
FUNCTION SETTINGS

- The knob lamp can be turned off by pressing the water temperature and seat temperature buttons at the same time.



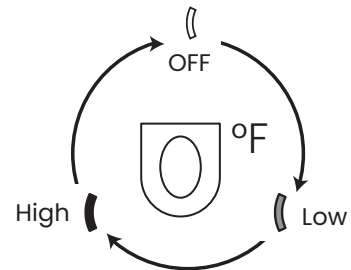
WATER TEMPERATURE SETTINGS

- Repeatedly press to switch water temperature settings in the sequence below.
- When switching to "OFF", you will hear a long confirmation tone. When switching to "HIGH" or "LOW" you will hear one short confirmation tone.
- Low water temperature setting is about 95°F. High water temperature setting is about 100°F.



SEAT TEMPERATURE SETTINGS

- Repeatedly press to switch seat temperature settings in the sequence below.
- When switching to "OFF", you will hear a long confirmation tone. When switching to "HIGH" or "LOW" you will hear one short confirmation tone.
- Low seat temperature setting is about 91°F. High seat temperature setting is about 99°F.



PROTECTION FUNCTIONS

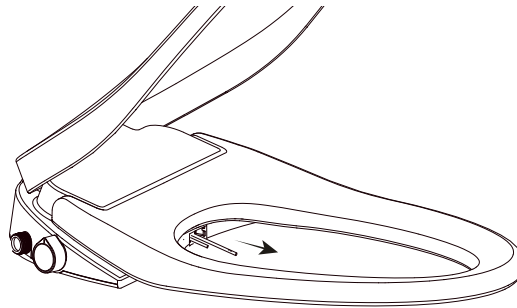
- Five minutes after body is seated, the seat will be under low temperature scalding protection mode with a temperature of about 82°F.
- When there is nobody seated and the knob is not turned off an alarm will sound.
- When the water temperature exceeds 109°F during use, function will be turned off and the seat will automatically enter self-cleaning mode. After the water temperature returns to normal, function will continue

SURFACE CLEANING

- Turn off power supply before cleaning.
- Wipe surface with a sponge or soft cloth dampened with room temperature water or natural detergent.
- Do not replace toilet seat until ceramic toilet is completely washed, it may corrode the surface of the product.

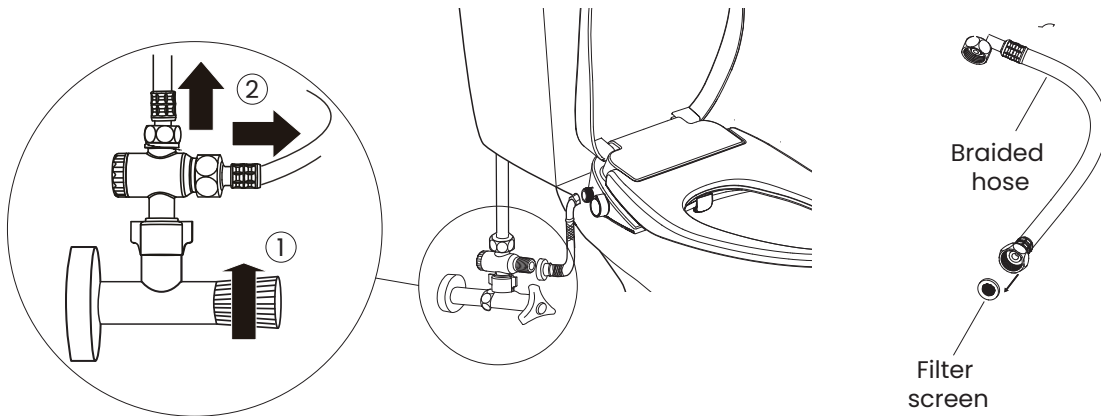
NOZZLE MAINTENANCE

- Gently pull the wand out and in 5 times then wipe the wand clean with a soft, damp cloth dipped in neutral detergent, then wipe the nozzle and spray tube.



FILTER MAINTENANCE

- Make sure the corner valve is closed and the power is off before cleaning the filter screen.
- During cleaning, the seat must be completely separated from the water inlet hose.
- Reinstall the filter screen in reverse order after cleaning.



WHEN NOT IN USE FOR AN EXTENDED TIME

- When this product is not used for an extended period of time, drain the water and cut off the power supply.
- Pull out the power plug or press the "Test" key of leakage protector.
- Close angle valve and stop the water inlet.
- Remove water inlet hose from angle valve and release the water from the inlet hose.
- Close the upper cover, press and hold the disassembly button by hand, move the product to the front and then completely remove.
- Place product in a cool and dry place.

PROBLEM	CAUSE	SOLUTION
Spray tube extends too slowly	Cool water should be released from front end before flushing.	It is normal, and provides normal flushing about 5s later.
Insufficient water amount	Knob is not completely turned on.	Increase knob regulating angle.
Insufficient water temperature	Water temperature is set on low	Adjust water temperature to higher gear.
Too low water temperature	Water temperature is set on low	Adjust water temperature to higher gear.
	Automatic protection for over-high temperature	Restart water temperature adjustment.
Waters flow out when seated	Self-cleaning function is enabled	It is normal, and automatically stop water flow about 5s later.
Water is not heated Breathing light not flashing	The flowmeter is abnormal	Cut off power supply, contact the after-sales department for replacement.
Vibration and noise occur when the knob is turned on	Water pressure abnormal	Close the angle valve, open the knob and reinstall the braided hose.
The movement jam of spray tube.	Water scale causes increased resistance to the movement.	Please refer the method for manual cleaning of spray tube in cleaning and maintenance.
Base gap leakage	Pressure maintaining valve is damaged.	Cut off the power supply, close the angle valve and contact the after-sales department for replacement.
Flushing module leakage	Knob is not reset to OFF position.	Reset knob to OFF.
	Control valve is failed.	Cut off the power supply, close the angle valve and contact the after-sales department for replacement.

PROBLEM	CAUSE	SOLUTION
Seat temperature is not sufficient	Seat temperature is set at low gear.	Adjust seat temperature to higher gear.
Seat temperature is too high	Seat temperature is set at high gear.	Adjust seat temperature to lower gear.
Temperature is too low when just contact with seat	Not enable seat heating function.	Enable seat heating function in advance.
No seat heating function	Seat heating coil in poor contact.	Cut off the power supply, contact the after-sales department for replacement.
Buzzer continuously beeps	Knob switch is not reset to OFF state when away from seat.	Reset knob to OFF state.
Night light is not on	Power cord of night light shows poor contact.	
	Night light is damaged.	
Knob light is not on	Power cord of knob light shows poor contact.	



1-434-MADISON
(623-4766)
19 Stults Road
Dayton, NJ 08810
www.swissmadison.com

ONE YEAR LIMITED WARRANTY

Swiss Madison® products are made with quality materials and excellent craftsmanship to provide our customers with beautiful, durable, long-lasting products. Should there be any defects in materials or craftsmanship under regular use that are discovered within the first year of installation, Swiss Madison® will provide replacement parts at no charge, or at its discretion, replace any product or part of the product that is deemed defective, under normal installation, use, service or maintenance. This warranty applies only to the original purchaser. Proof of purchase will be required in the instance of a claim.

Swiss Madison® recommends all installations of Swiss Madison® products to be conducted by a licensed, professional plumber or contractor. Swiss Madison® will not be held responsible for any damage or product failure due to improper installation, misuse, or failure to utilize a licensed professional for installation. Swiss Madison® is not responsible for any installation or removal costs.

This One Year Limited Warranty Will Be Voided If:

- The installation recommendations were not followed by the installer
- The product has been moved from its initial place of installation
- The product has in any way been modified from its packaged state
- The product has been subjected to improper maintenance, abuse, misuse, excessive use of chemicals, accidents, or other damages, etc.

Swiss Madison® makes no implication that its products comply with any local building or plumbing codes. It is the consumer's responsibility and obligation to determine local code compliance prior to and during installation. This warranty extends only to the original purchaser and first consumer.

Swiss Madison® is not responsible for any special, incidental or consequential damages associated with the installation, replacement, return or use of the original purchaser's product. This includes, but is not limited to: freight costs, labor, travel time, lost profit, home damages and other contingent liabilities and costs (including, without limitation, costs associated with 'professionals' or 'experts', investigations, audits, analyses, attorneys and any other professional/hired services).

The Swiss Madison® warranty is a comprehensive and explicit limit of liability. All items not disclosed within the warranty are not addressable within the responsibility of Swiss Madison®. Certain states have variances regarding implied warranties; in those situations, we remain fully compliant.

**If you have any questions or concerns, please contact us directly at
1-434-MADISON (623-4766)**

WARNING: Contents of your order may contain sharp and possibly other harmful pieces and may cause hazard to children and adults. Swiss Madison® is not responsible in any way for personal damages.