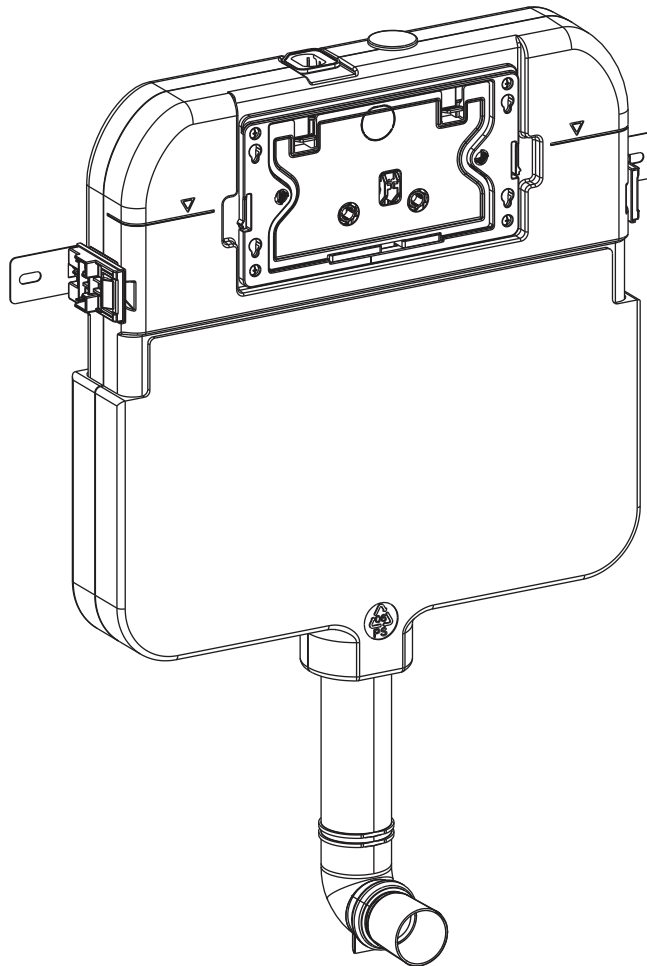


# Back-to-Wall Carrier System INSTALLATION INSTRUCTIONS

Swiss Madison®  
well made forever

## Residential Concealed In-Wall Toilet Tank for Back-to-Wall Toilet SM-WC324



@SwissMadison  
#WellMadeForever





## PRIOR TO INSTALLATION:

- Inspect carrier to ensure no damages have occurred while in shipping.
- Observe all plumbing and building codes in accordance with your state and local requirements.
- All dimensions are nominal! Be sure to measure your toilet prior to installation.
- The step-by-step guidelines in the installation instructions are a general reference. Should there be any discrepancies, Swiss Madison cannot be held liable. It is recommended to install all Swiss Madison products by hiring a licensed professional.
- Read installation and maintenance instructions thoroughly before installing. Be sure to use proper tools and always wear proper personal safety accessories for your protection.
- Be sure to properly bleed all air from the piping system, trapped air can cause damage to the flushing system and toilet bowl.
- Avoid outside wall installations to avoid possible freezing.

If you have any questions or concerns please contact us:

1-434-623-4766

info@swissmadison.com

## SUGGESTED TOOLS & MATERIALS:



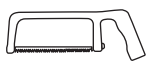
Safety Glasses



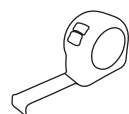
Plumbers Grease



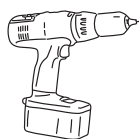
Wrench



Hacksaw



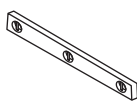
Tape Measure



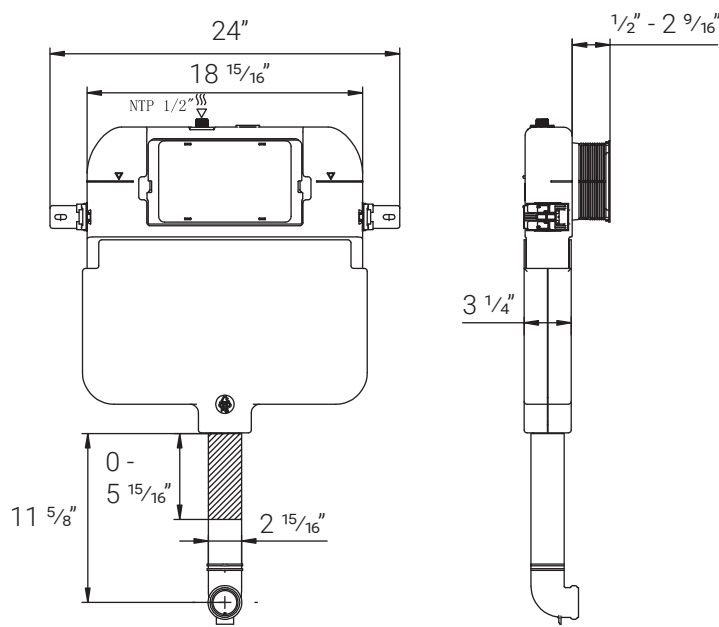
Drill



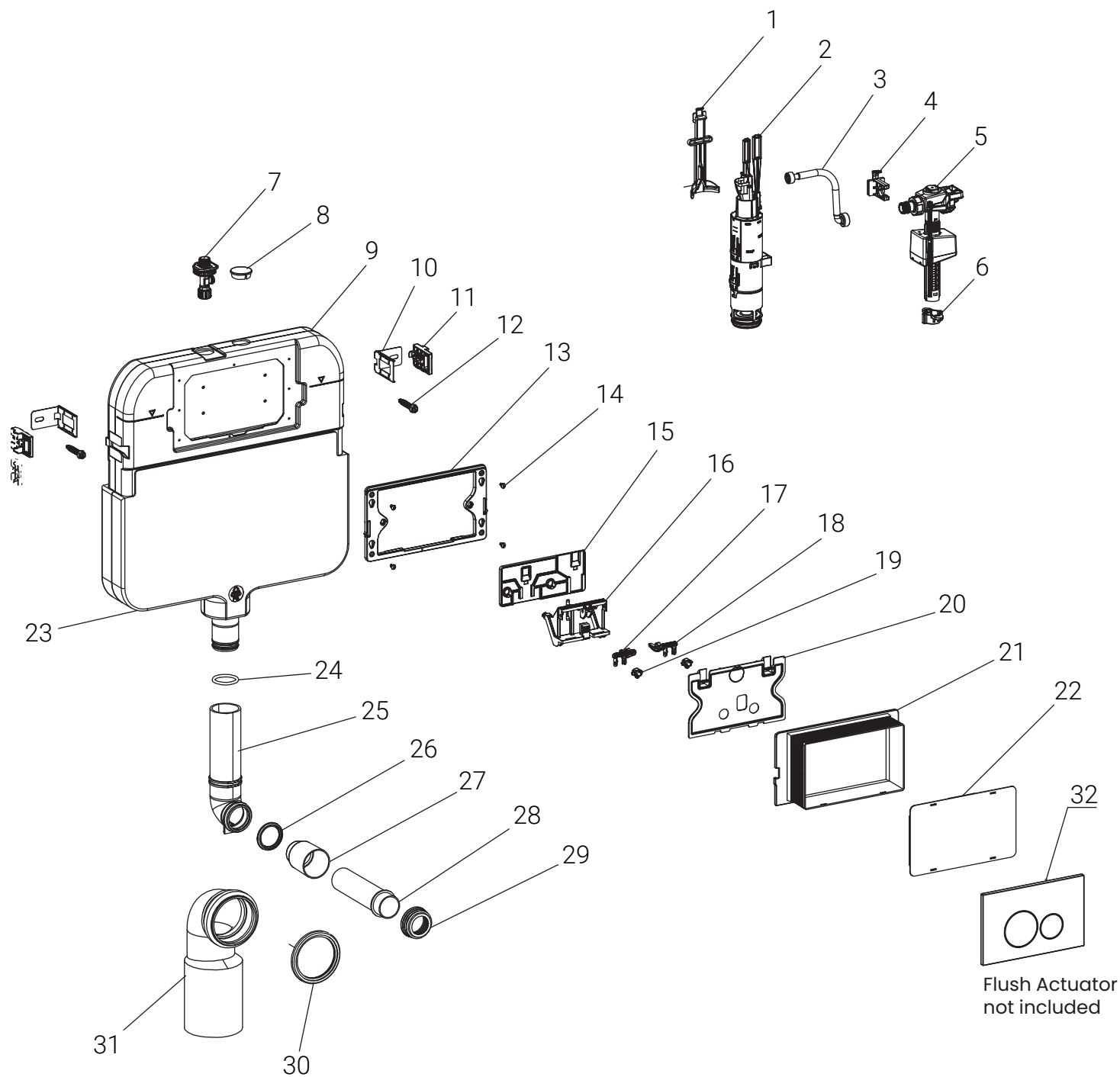
Flat File



Level



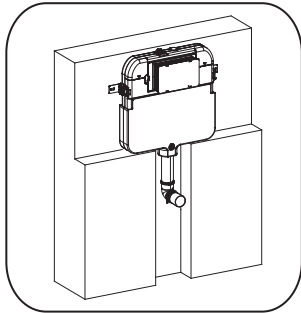
## Parts for Reference:



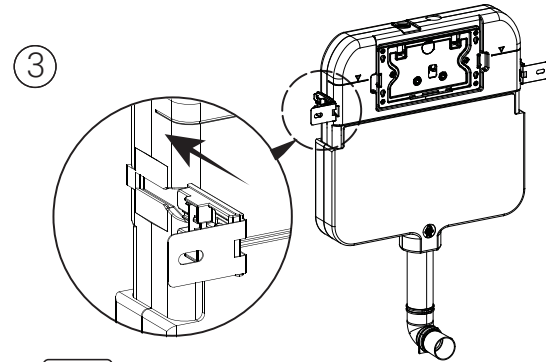
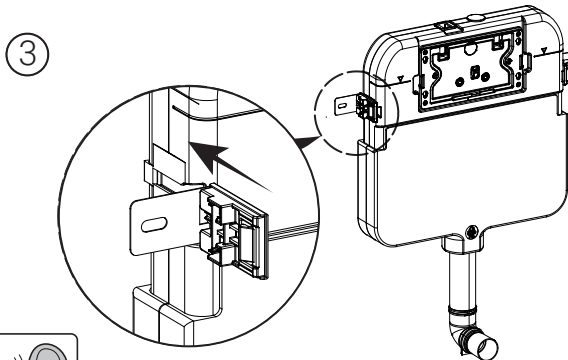
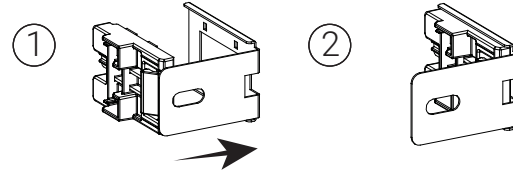
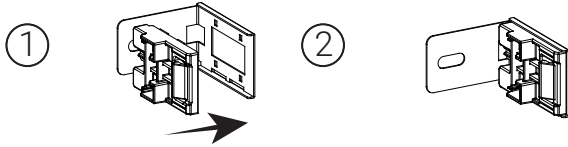
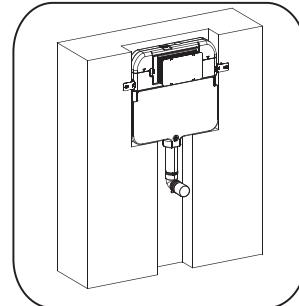
## 1. Fasten Mounts (if fastening to studs)

- Adjust clips then fasten carrier to studs or wall framing.
- Ensure frame is flush and level before fastening.

1a.



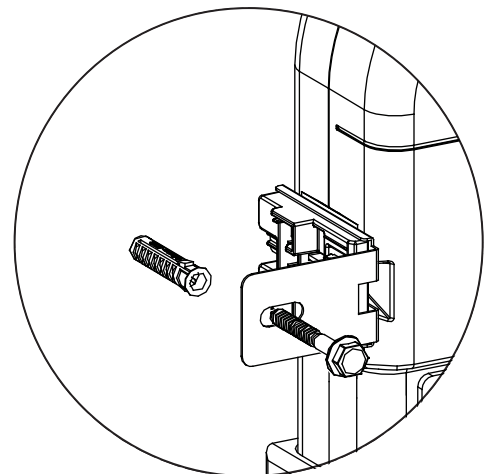
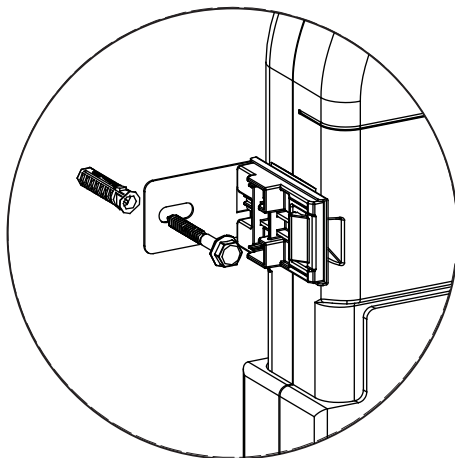
1b.



\*Click\*

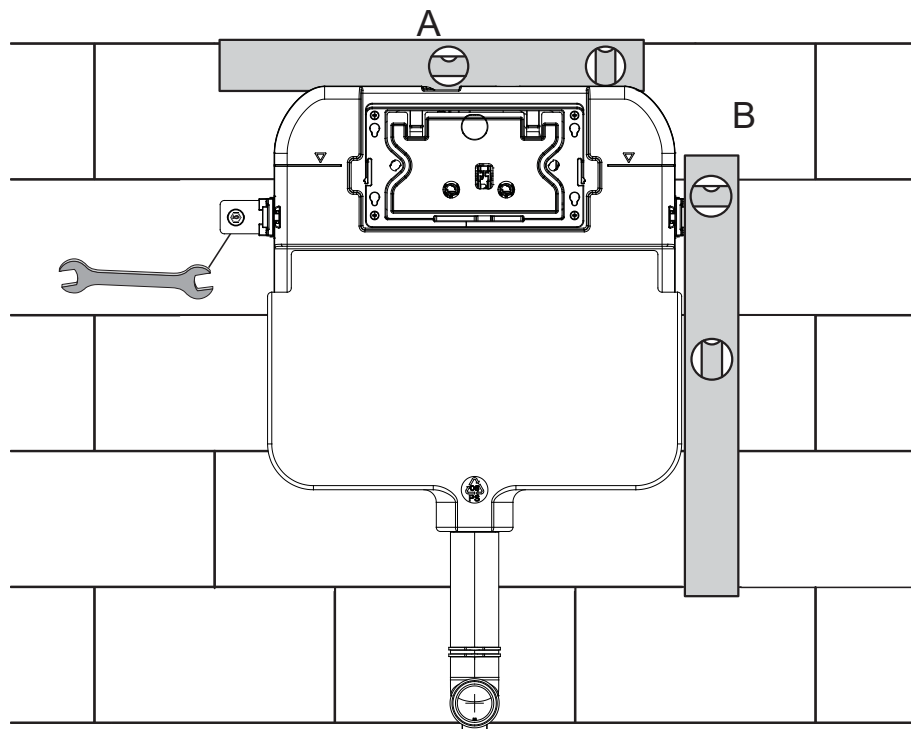
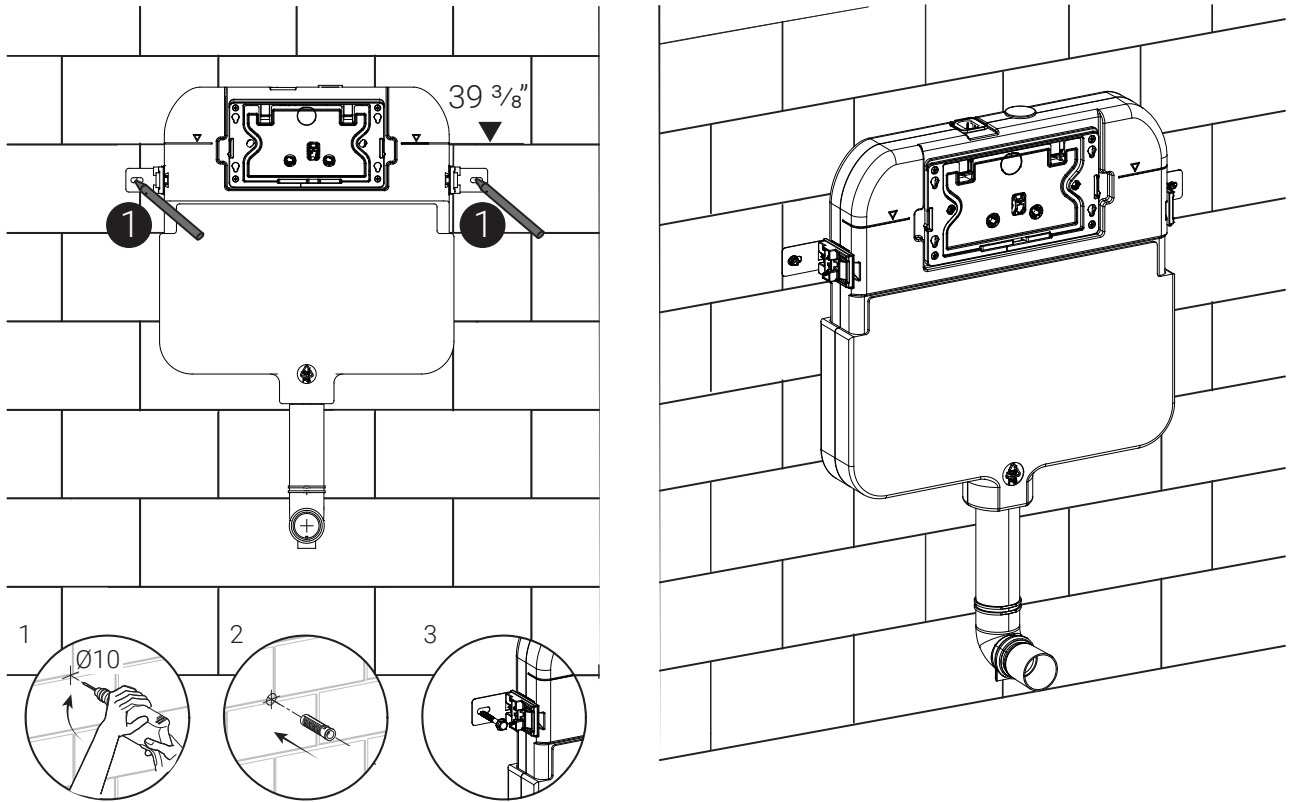


"Click"



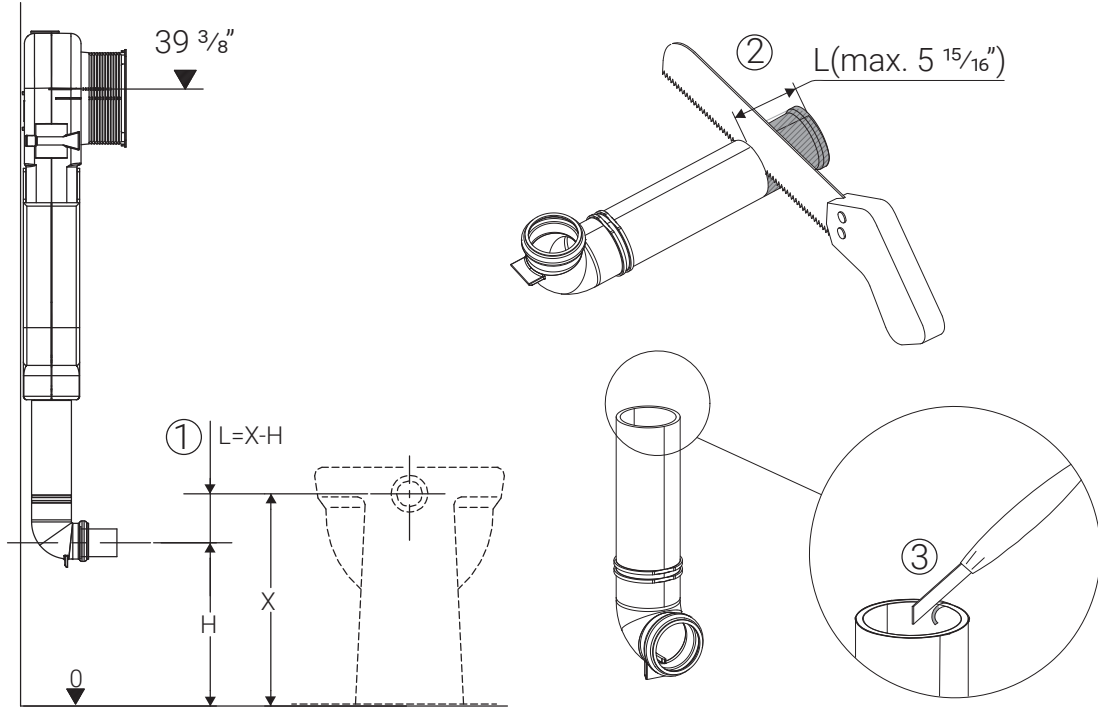
## 1. Fasten Mounts (if fastening to wall)

- Adjust clips then fasten carrier to studs or wall framing.
- Ensure frame is flush and level before fastening.



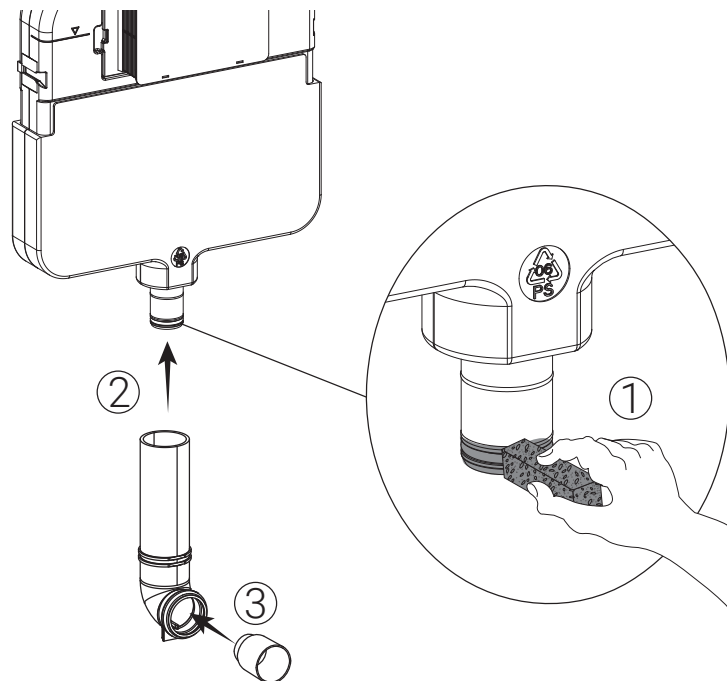
**2. Cut Pipe**

- Measure and cut pipe according to your toilet.
- Make sure to measure the sub floor and finished floor measurements before cutting to have the correct center.
- Once pipe is cut, remove any burrs.



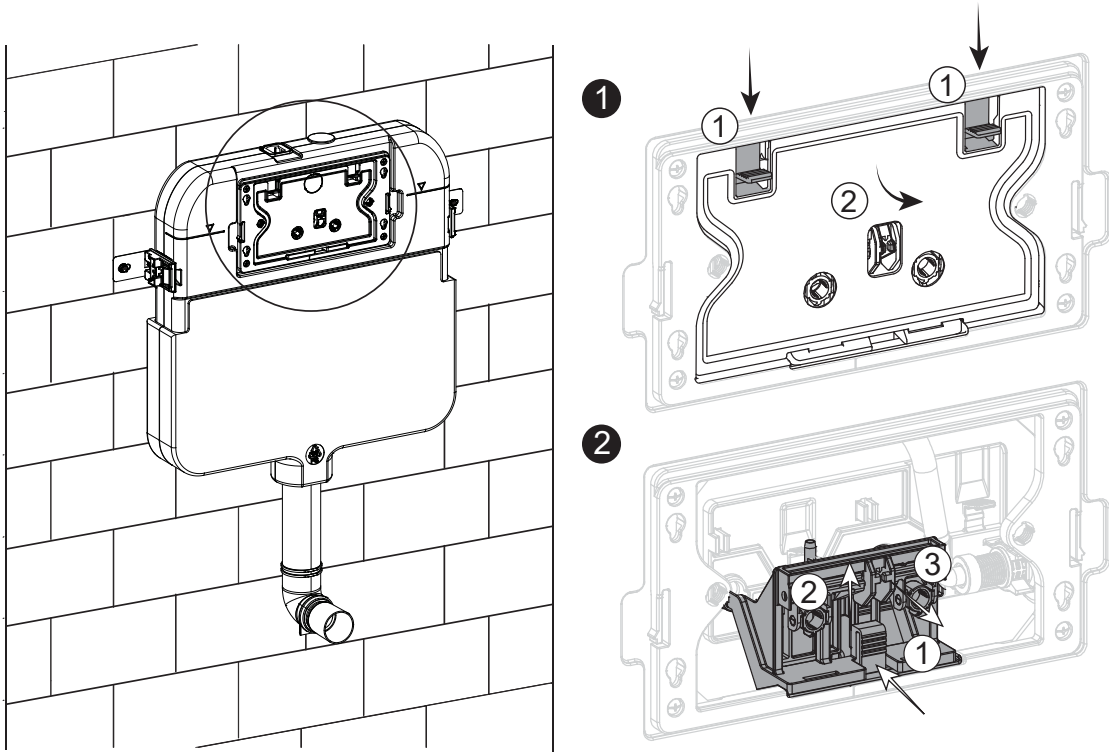
**3. Attach Pipe**

- Apply grease before sliding on pipe.
- Install pipe then put on dust cap to prevent debris from entering the pipe.



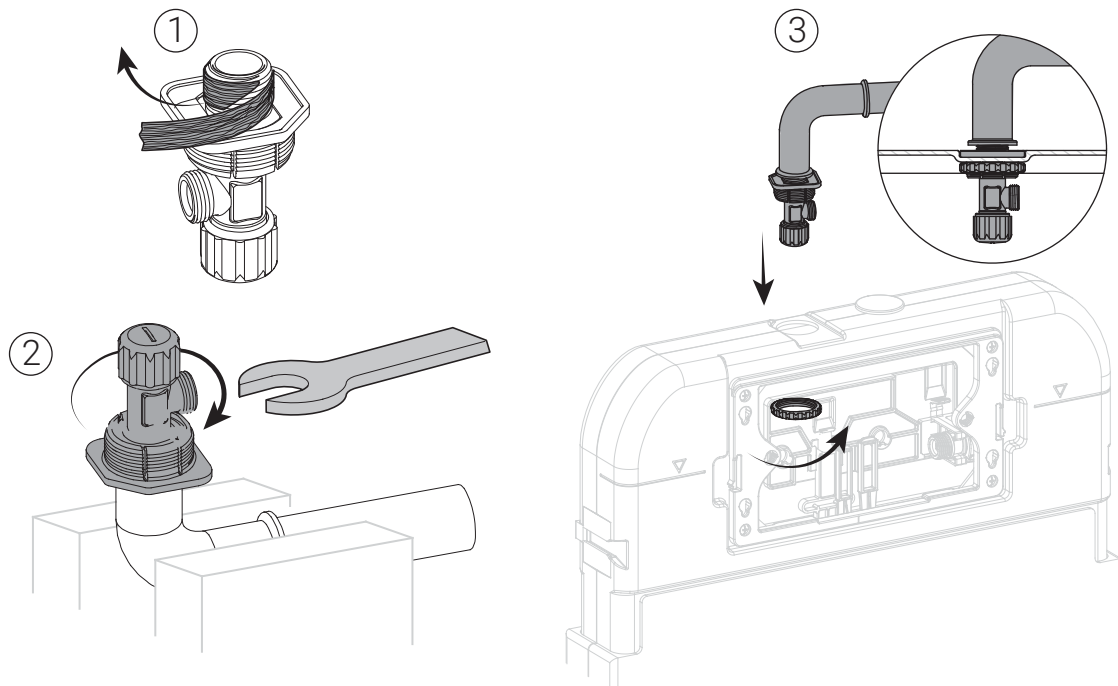
## 4. Remove Plate

- Remove plate and attach to water connection.



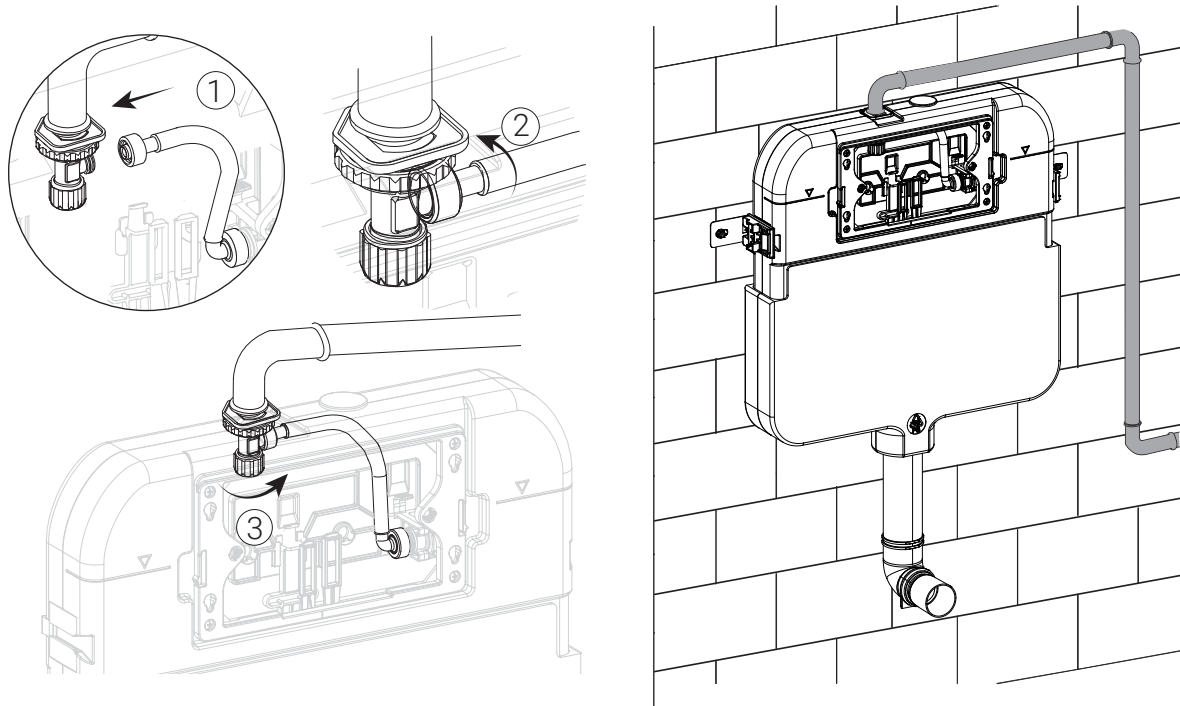
## 5. Attach Water Connection

- Hold the shut-off valve stationary while tightening water connection.
- Install locking nut as shown.



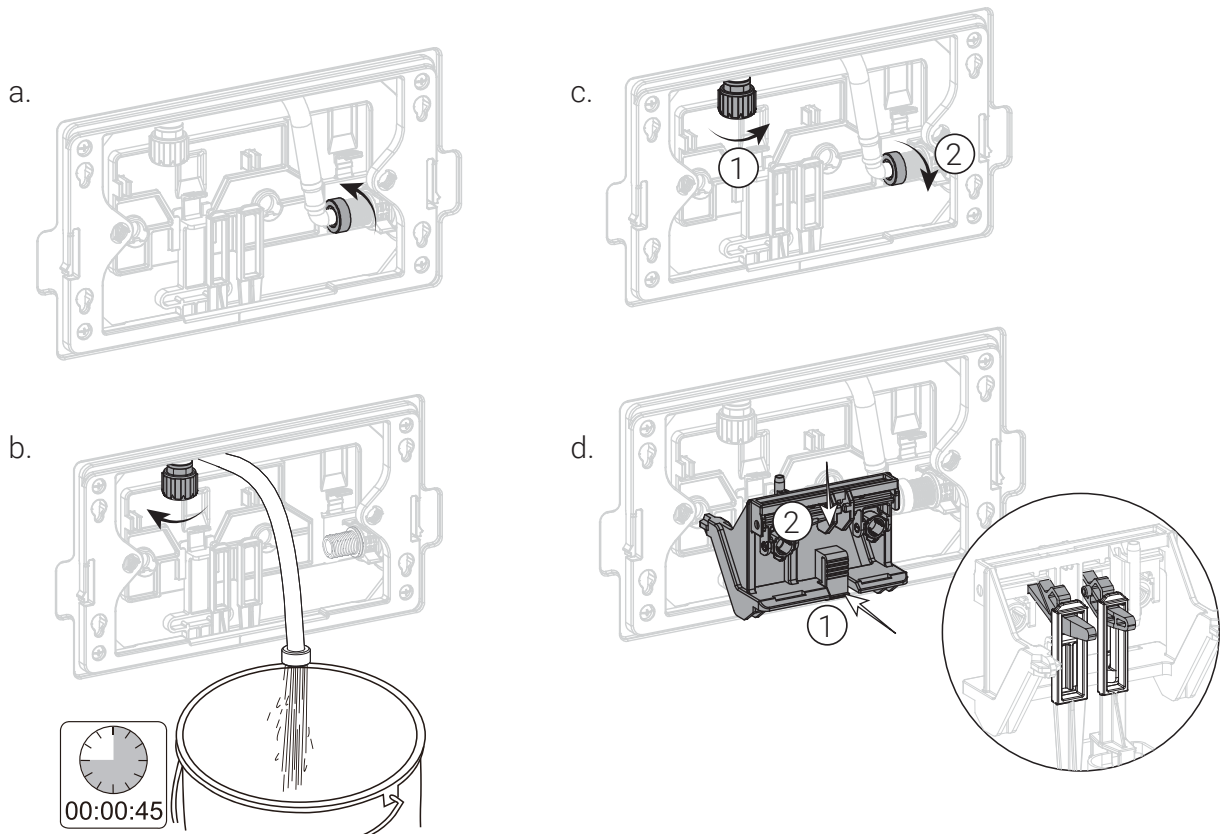
## 6. Flush Debris

- After attaching water connection to shut-off valve, undo the other side of the hose.
- Turn on valve to flush any debris before installing the actuator.



## 7. Reconnect Water Supply

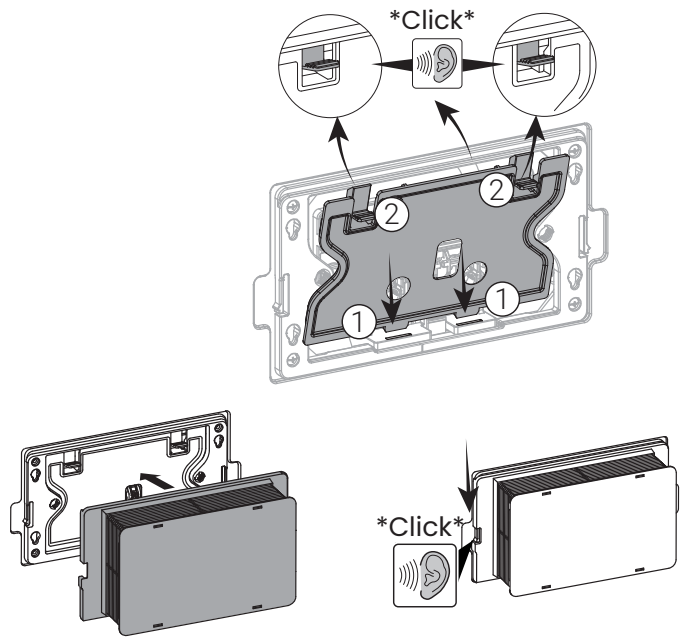
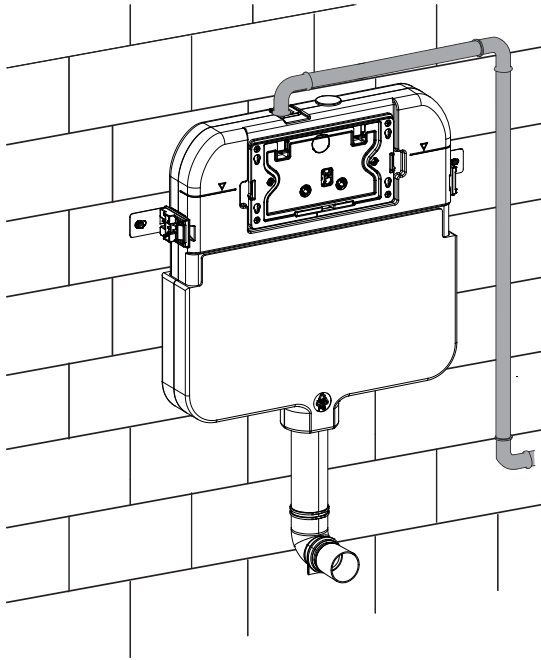
- After flushing debris, reconnect the water supply hose.





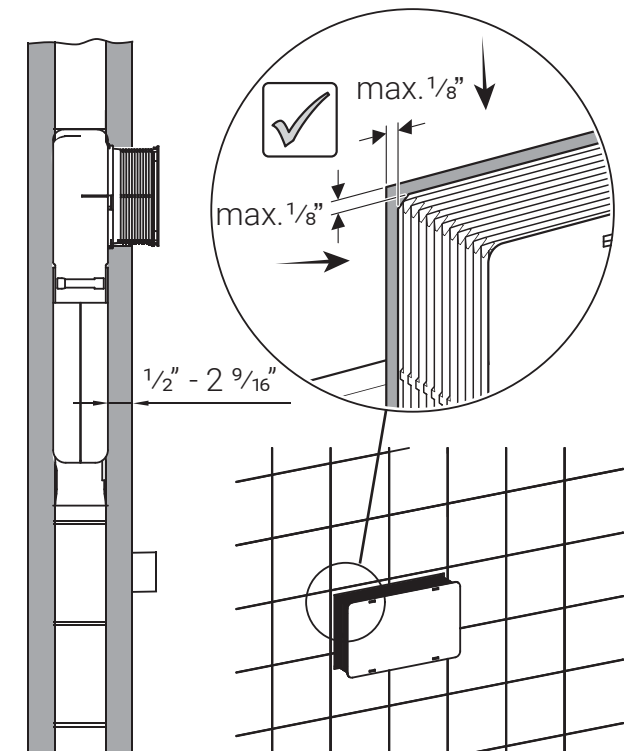
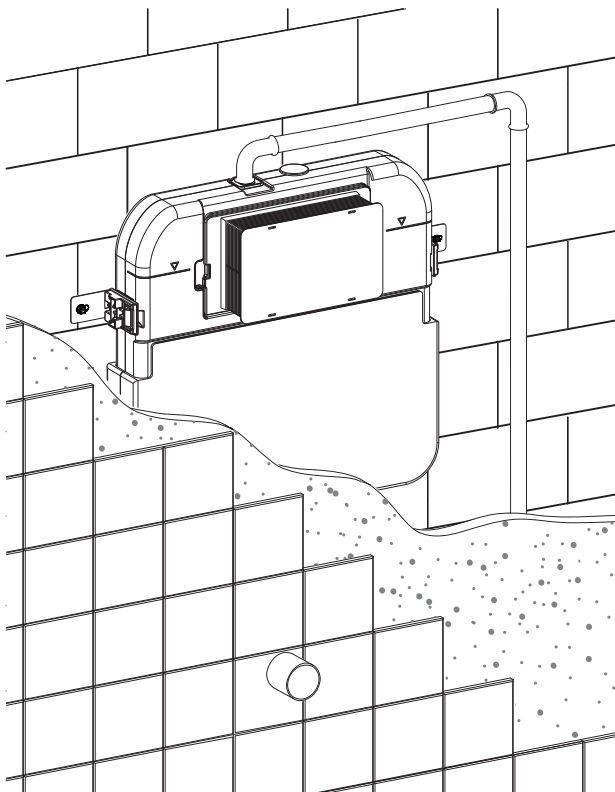
## 8. Reinstall Plate

- Reinstall actuator and cover plate.
- Ensure roughing box is secure to keep debris from entering the tank.



## 9. Trim Roughing Box

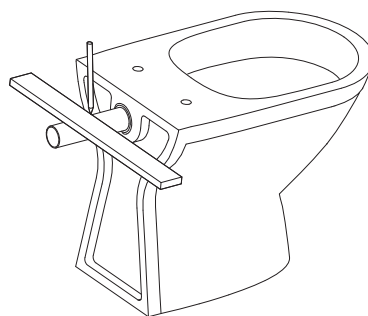
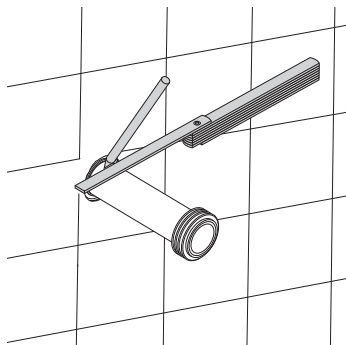
- After wall materials are installed, trim roughing box.



## Toilet Installation

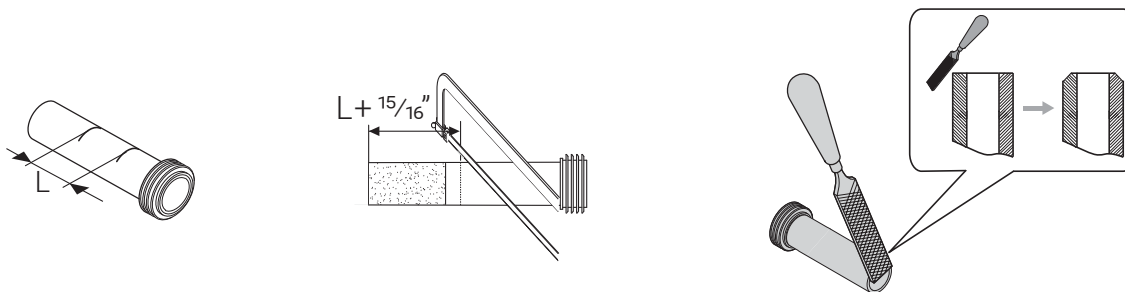
### 1. Fit Pipe

- Install pipe and make sure it is thoroughly inserted.
- With a ruler, mark a line on the pipe where it meets the finished wall.
- Remove from wall and install pipe in the back of the toilet and make sure it is thoroughly inserted.
- With a ruler, mark a line on the pipe where it meets the back of the bowl.



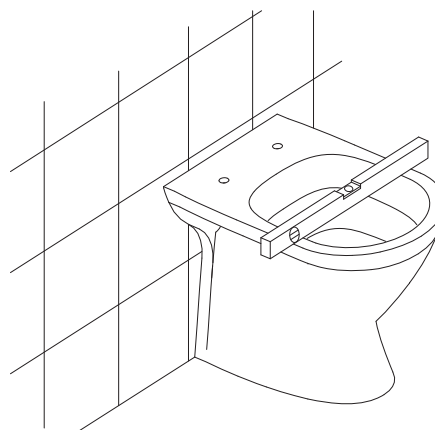
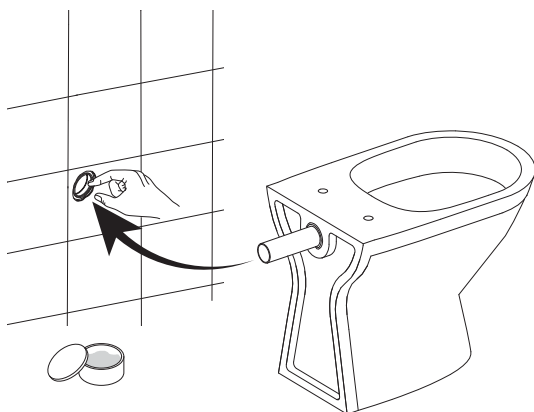
### 2. Cut Pipe

- Measure the distance between both marked lines on pipe. Take measured distance, deduct from bald end of pipe and cut pipes as shown below. This will allow some tolerance to recut if necessary.
- After cutting, take a file and remove all burrs. Try and bevel pipe edge.



### 3. Install Toilet

- Insert pipe into bowl first, remember to apply grease where necessary.
- Install pipe into wall, make sure toilet is level.



## ONE YEAR LIMITED WARRANTY

Swiss Madison® products are made with quality materials and excellent craftsmanship to provide our customers with beautiful, durable, long-lasting products. Should there be any defects in materials or craftsmanship under regular use that are discovered within the first year of installation, Swiss Madison® will provide replacement parts at no charge, or at its discretion, replace any product or part of the product that is deemed defective, under normal installation, use, service or maintenance. This warranty applies only to the original purchaser. Proof of purchase will be required in the instance of a claim.

Swiss Madison® recommends all installations of Swiss Madison® products to be conducted by a licensed, professional plumber or contractor. Swiss Madison® will not be held responsible for any damage or product failure due to improper installation, misuse, or failure to utilize a licensed professional for installation. Swiss Madison® is not responsible for any installation or removal costs.

### **This One Year Limited Warranty Will Be Voided If:**


- The installation recommendations were not followed by the installer
- The product has been moved from its initial place of installation
- The product has in any way been modified from its packaged state
- The product has been subjected to improper maintenance, abuse, misuse, excessive use of chemicals, accidents, or other damages, etc.

Swiss Madison® makes no implication that its products comply with any local building or plumbing codes. It is the consumer's responsibility and obligation to determine local code compliance prior to and during installation. This warranty extends only to the original purchaser and first consumer.

Swiss Madison® is not responsible for any special, incidental or consequential damages associated with the installation, replacement, return or use of the original purchaser's product. This includes, but is not limited to: freight costs, labor, travel time, lost profit, home damages and other contingent liabilities and costs (including, without limitation, costs associated with 'professionals' or 'experts', investigations, audits, analyses, attorneys and any other professional/hired services).

The Swiss Madison® warranty is a comprehensive and explicit limit of liability. All items not disclosed within the warranty are not addressable within the responsibility of Swiss Madison®. Certain states have variances regarding implied warranties; in those situations, we remain fully compliant.

**If you have any questions or concerns, please contact us directly at  
1-434-MADISON (623-4766)**

 **WARNING:** Contents of your order may contain sharp and possibly other harmful pieces and may cause hazard to children and adults. Swiss Madison® is not responsible in any way for personal damages.