

Toilet Hardware INSTALLATION INSTRUCTIONS

Swiss Madison
well made forever

Prior to Installation:

- Inspect product to ensure no damages have occurred while in shipping.
- The step-by-step guidelines in the installation instructions are a general reference.
- Read installation and maintenance instructions thoroughly before installing. Be sure to use proper tools and always wear proper personal safety accessories for your protection.

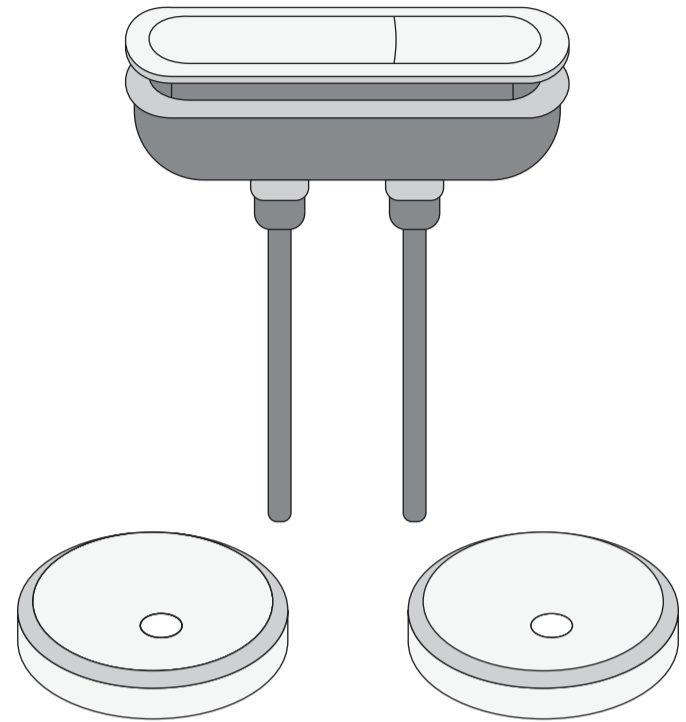
If you have any questions or concerns please contact us:

1-434-623-4766

info@swissmadison.com

Included Parts:

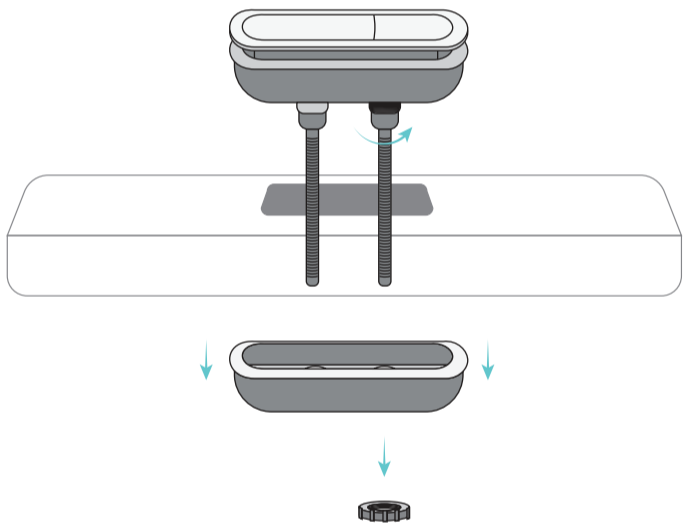
- Seat Hardware
- Flush Hardware
- Installation Bolts



Flush Hardware Installation:

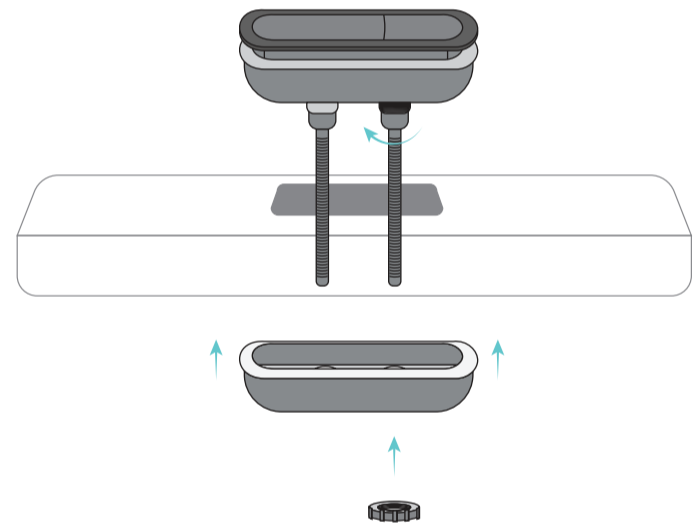
1. Remove Old Hardware

- Unscrew plastic locking nut. Then pull down on the base plate and remove the push button from the tank lid.



2. Install New Hardware

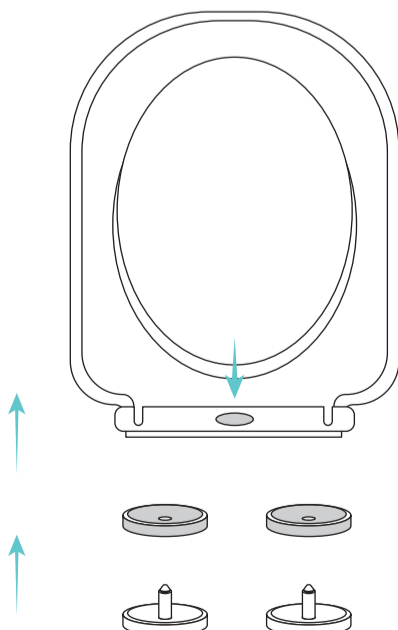
- Insert the push button to the top of the tank lid, slide on the base plate, and screw the plastic locking nut in place.



Seat Hardware Installation:

1. Remove Old Hardware

- Push the quick release buttons on your toilet seat and pull up to remove the seat. Remove old cover caps.



2. Install New Hardware

- Replace old cover caps with new cover caps.
- Align the seat to the hinges and reattach the seat to the bowl.

