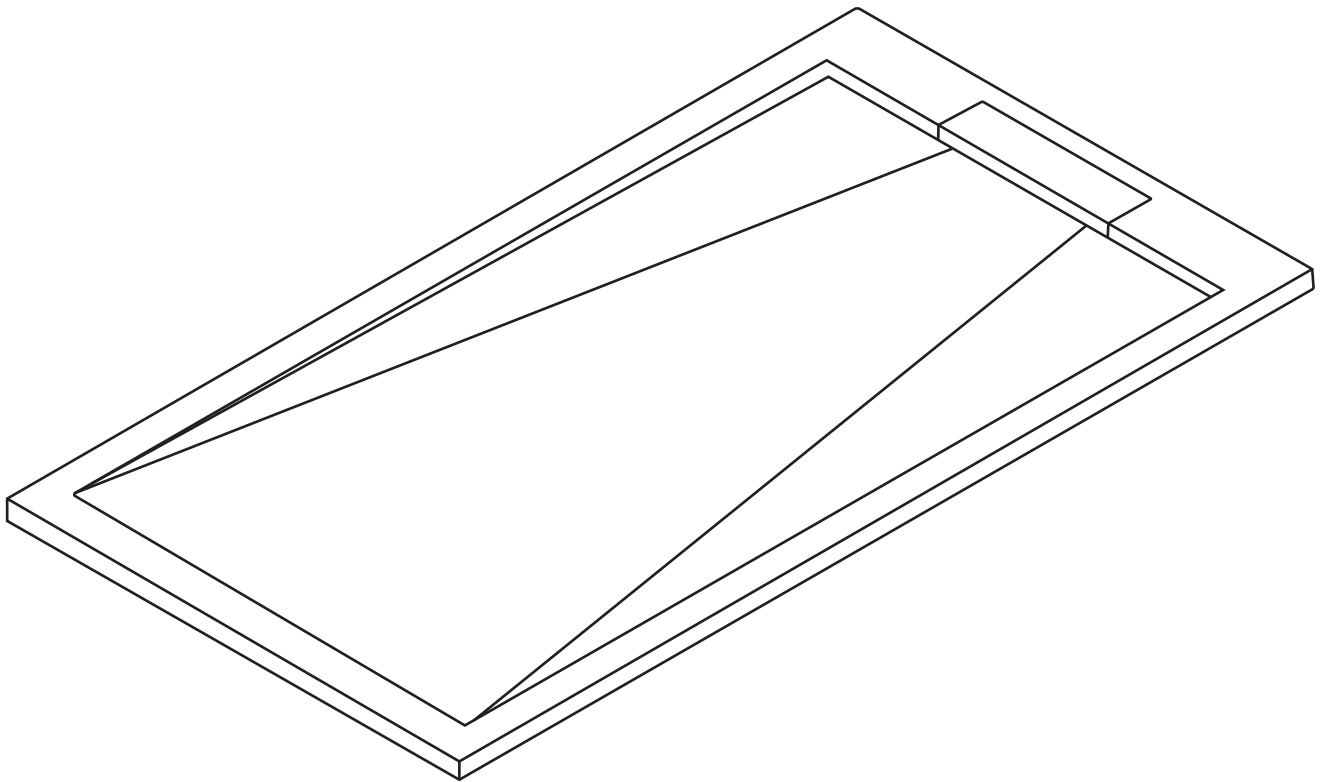


# Resin Terre C Shower Base

## INSTALLATION INSTRUCTIONS

---

Swiss Madison®  
well made forever



@SwissMadison  
#WellMadeForever





### PRIOR TO INSTALLATION:

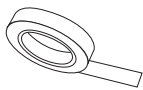
- Inspect shower base to ensure no damages have occurred while in shipping.
- Observe all plumbing and building codes in accordance with your state and local requirements.
- All dimensions are nominal! Be sure to measure your shower base prior to installation.
- The step-by-step guidelines in the installation instructions are a general reference. Should there be any discrepancies, Swiss Madison cannot be held liable. It is recommended to install all Swiss Madison products by hiring a licensed professional.
- Read installation and maintenance instructions thoroughly before installing. Be sure to use proper tools and always wear proper personal safety accessories for your protection.
- Two people are recommended to handle and install this product.
- Make sure all wood studs and supports are properly installed.
- Verify all the necessary plumbing is installed by a certified plumber.
- Floor drain and trap are not included.
- Do not use drywall screws to secure flanges to wall studs. Product damage will occur and will void the warranty. Entire bottom support must be in contact with a flat, level surface.

If you have any questions or concerns please contact us:

1-434-623-4766

[info@swissmadison.com](mailto:info@swissmadison.com)

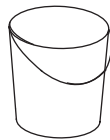
### SUGGESTED TOOLS & MATERIALS:



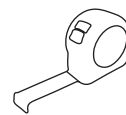
Adhesive  
Tape



Pencil



Bucket



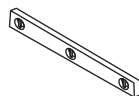
Tape  
Measure



Gloves



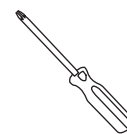
Trowel



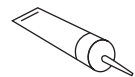
Level



Mortar  
Compound



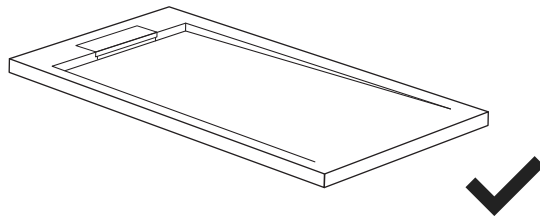
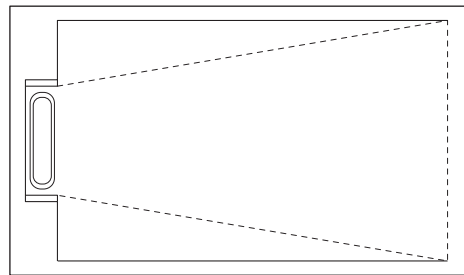
Screwdriver



Sealant  
(1 tube)

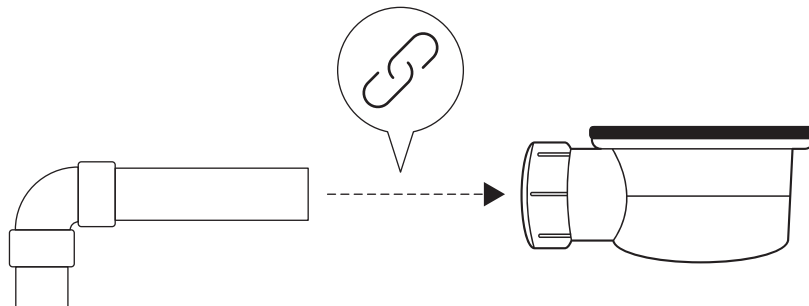
## 1. Leveling the floor

- Verify that the shower base is level using the “level” tool on all four sides.
- If the shower base is level proceed to step 2.
- If shower base is not level use shims or mortrar compound to adjust accordingly.  
Verify with level tool.
- Mark drain hole on floor. (All in floor plumbing must be installed by a licensed plumber)



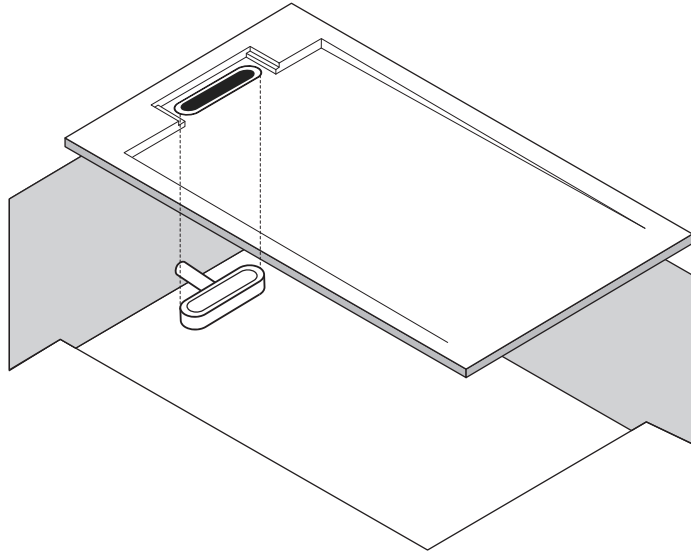
## 2. Preparing the base

- Remove shower base from dry fit
- Check the connection between drainer and drain pipe, ensure you are pouring the drainer water and there is not any leak in the tube connection.

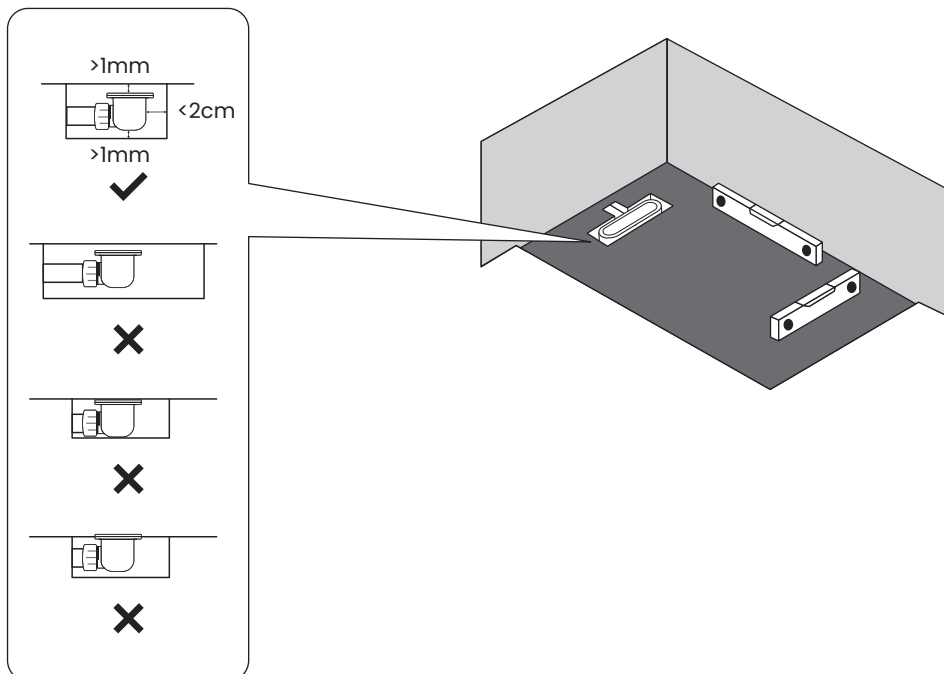


## 2. Preparing the base

- Install the drainer with the center of the shower tray drain.

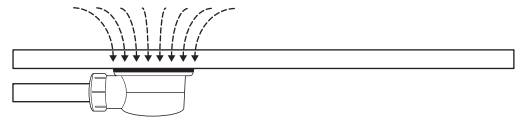
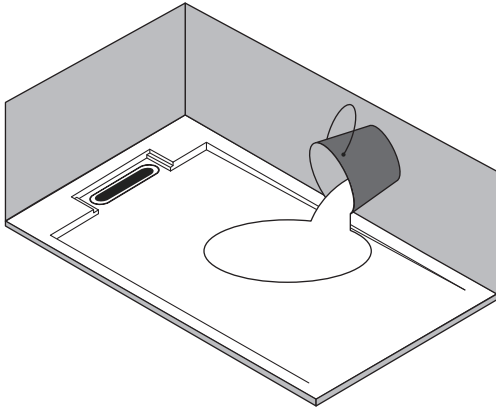


- To ensure a leveled finish using the mortar compound, make sure that the hole around the drain is not higher than 2 cm and is not below base level.

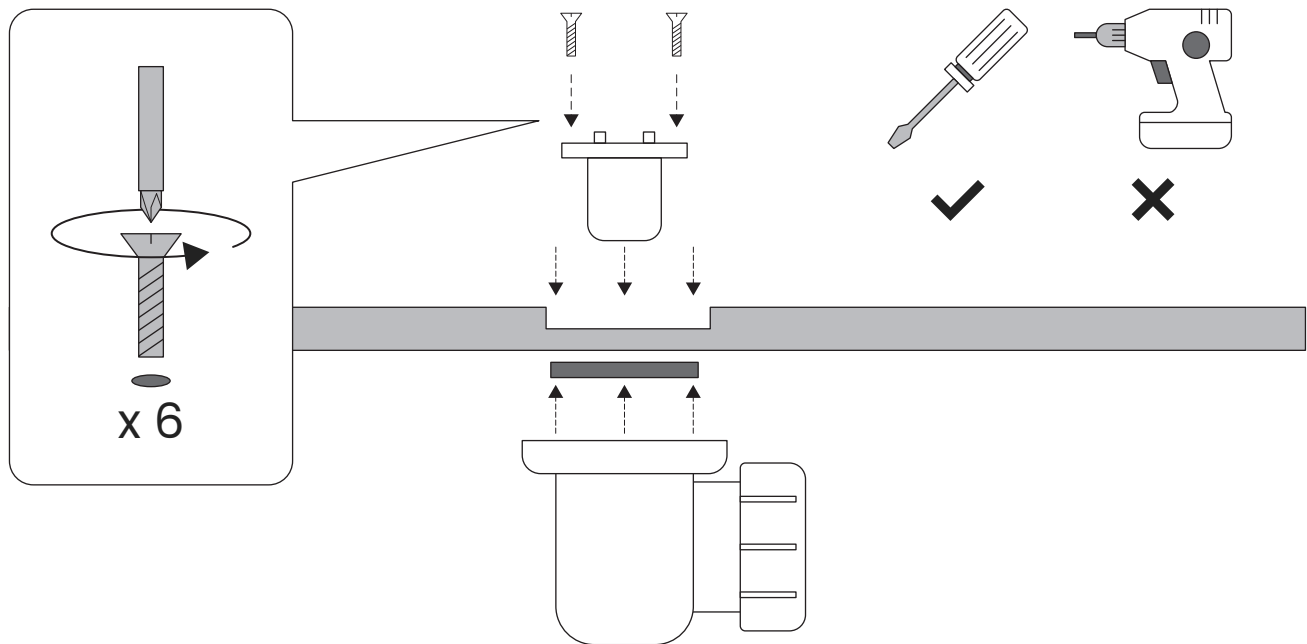


### 3. Shower base installation

- Before placing adhesive, put the shower tray on the base and connect the drainer. Pour water onto the base. Check the water flows directly to the drain. This verification is important for inspecting a leveled base.



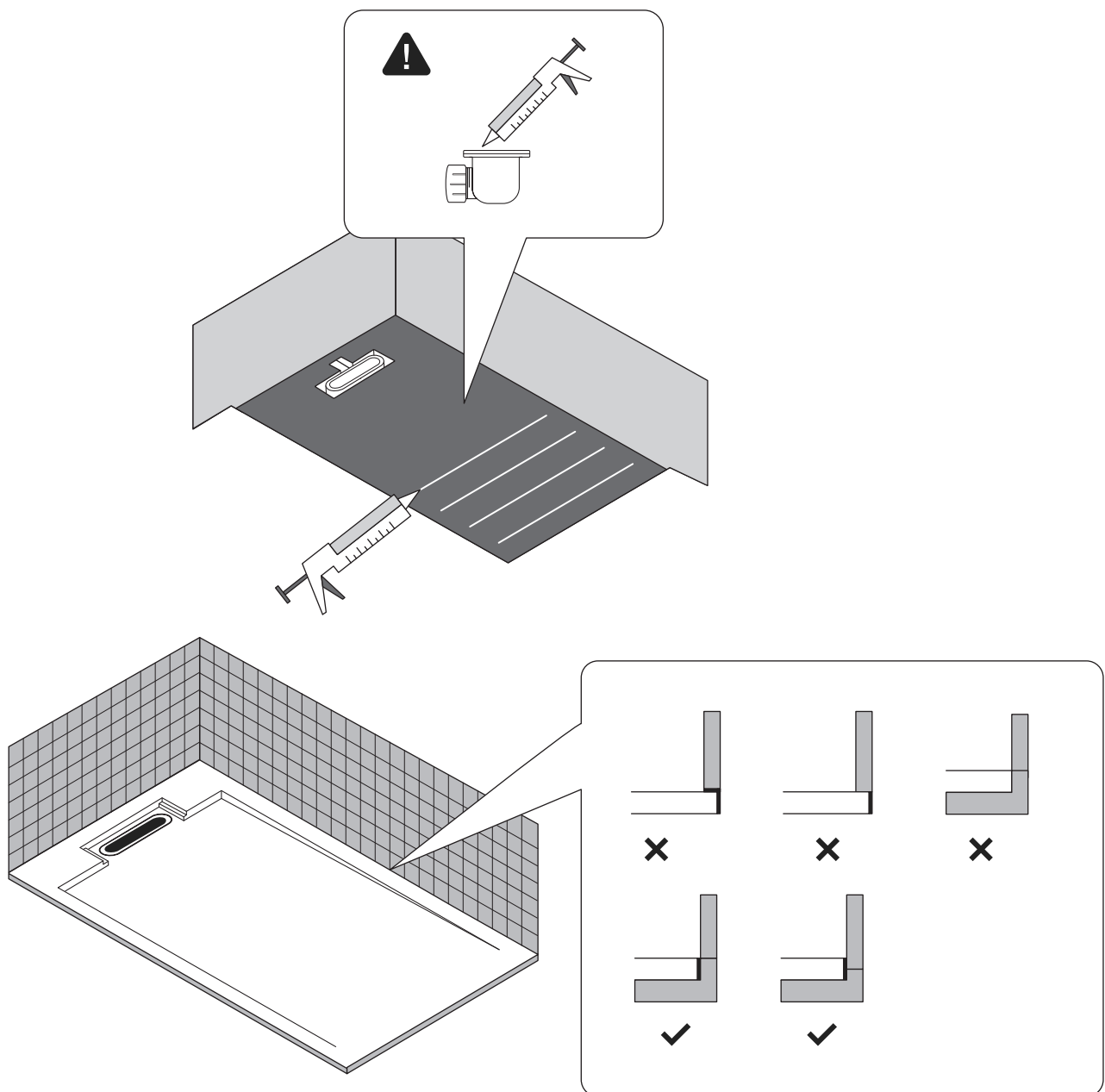
- Assemble the drain as shown.



### 3. Shower base installation

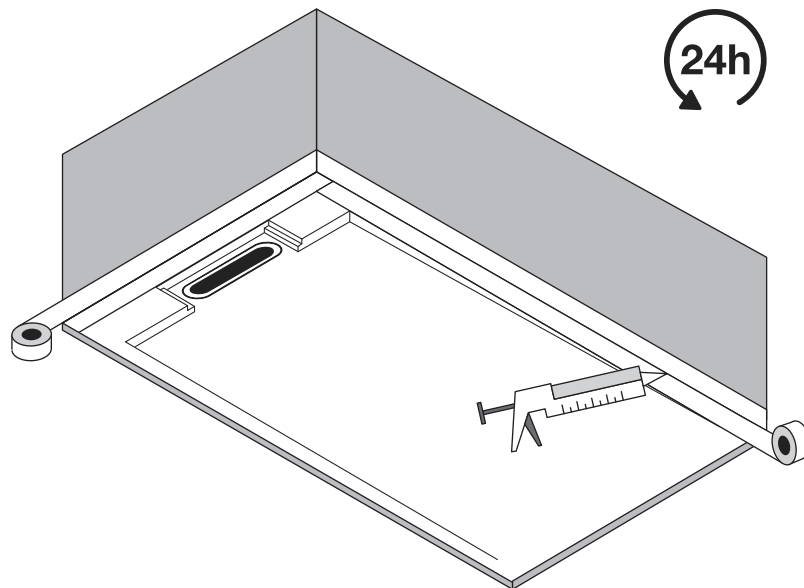
- To secure the drain to the base, apply a silicone sealant around the perimeter of the rubber gasket as well.
- After all checks and adjustments, apply straight lines of silicone sealant along the leveled floor.

**NOTE:** If you are finishing a tiled wall on the sides of the shower base, it is necessary to leave that side free from the silicone sealant and leave 3mm of space between the shower tray and the wall to fit the tiles. The shower base should not be used to directly support the finished wall. See below diagram for proper installation space of a tiled wall.

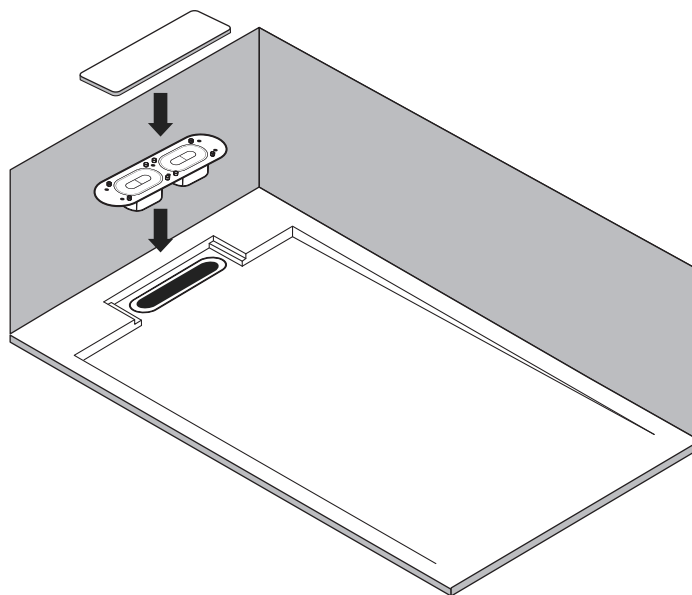


### 3. Shower base installation

- Prepare the shower tray with masking tape before sealing and fill the joint between the shower tray and the walls with silicone. Let it dry for 24 hours.

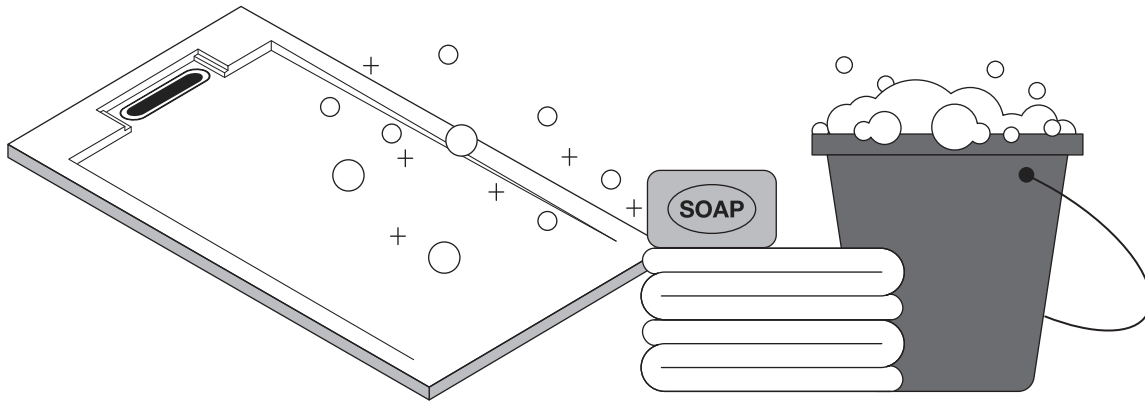


- Slot the drop pipe only into the bottle trap and screw the central screw, place the steel cover into the square recess in the center of the shower tray.

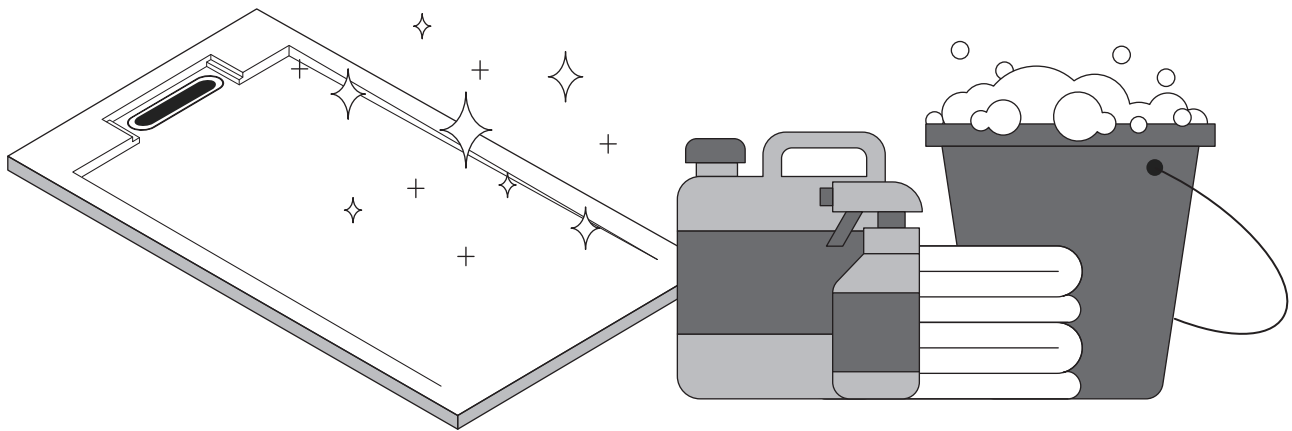


#### 4. Routine maintenance

- You may use soap and water with a soft cloth or cleaning cloth. Do NOT use a scouring pad or sponge to avoid scratching. Daily cleaning is recommended.



- For a deeper clean, you may use a commercial cleaning product, but it is important to rinse thoroughly and ensure the pan dries after cleaning to avoid prolonged stains.





## ONE YEAR LIMITED WARRANTY

Swiss Madison® products are made with quality materials and excellent craftsmanship to provide our customers with beautiful, durable, long-lasting products. Should there be any defects in materials or craftsmanship under regular use that are discovered within the first year of installation, Swiss Madison® will provide replacement parts at no charge, or at its discretion, replace any product or part of the product that is deemed defective, under normal installation, use, service or maintenance. This warranty applies only to the original purchaser. Proof of purchase will be required in the instance of a claim.

Swiss Madison® recommends all installations of Swiss Madison® products to be conducted by a licensed, professional plumber or contractor. Swiss Madison® will not be held responsible for any damage or product failure due to improper installation, misuse, or failure to utilize a licensed professional for installation. Swiss Madison® is not responsible for any installation or removal costs.

### **This One Year Limited Warranty Will Be Voided If:**


- The installation recommendations were not followed by the installer
- The product has been moved from its initial place of installation
- The product has in any way been modified from its packaged state
- The product has been subjected to improper maintenance, abuse, misuse, excessive use of chemicals, accidents, or other damages, etc.

Swiss Madison® makes no implication that its products comply with any local building or plumbing codes. It is the consumer's responsibility and obligation to determine local code compliance prior to and during installation. This warranty extends only to the original purchaser and first consumer.

Swiss Madison® is not responsible for any special, incidental or consequential damages associated with the installation, replacement, return or use of the original purchaser's product. This includes, but is not limited to: freight costs, labor, travel time, lost profit, home damages and other contingent liabilities and costs (including, without limitation, costs associated with 'professionals' or 'experts', investigations, audits, analyses, attorneys and any other professional/hired services).

The Swiss Madison® warranty is a comprehensive and explicit limit of liability. All items not disclosed within the warranty are not addressable within the responsibility of Swiss Madison®. Certain states have variances regarding implied warranties; in those situations, we remain fully compliant.

**If you have any questions or concerns, please contact us directly at  
1-434-MADISON (623-4766)**

 **WARNING:** Contents of your order may contain sharp and possibly other harmful pieces and may cause hazard to children and adults. Swiss Madison® is not responsible in any way for personal damages.