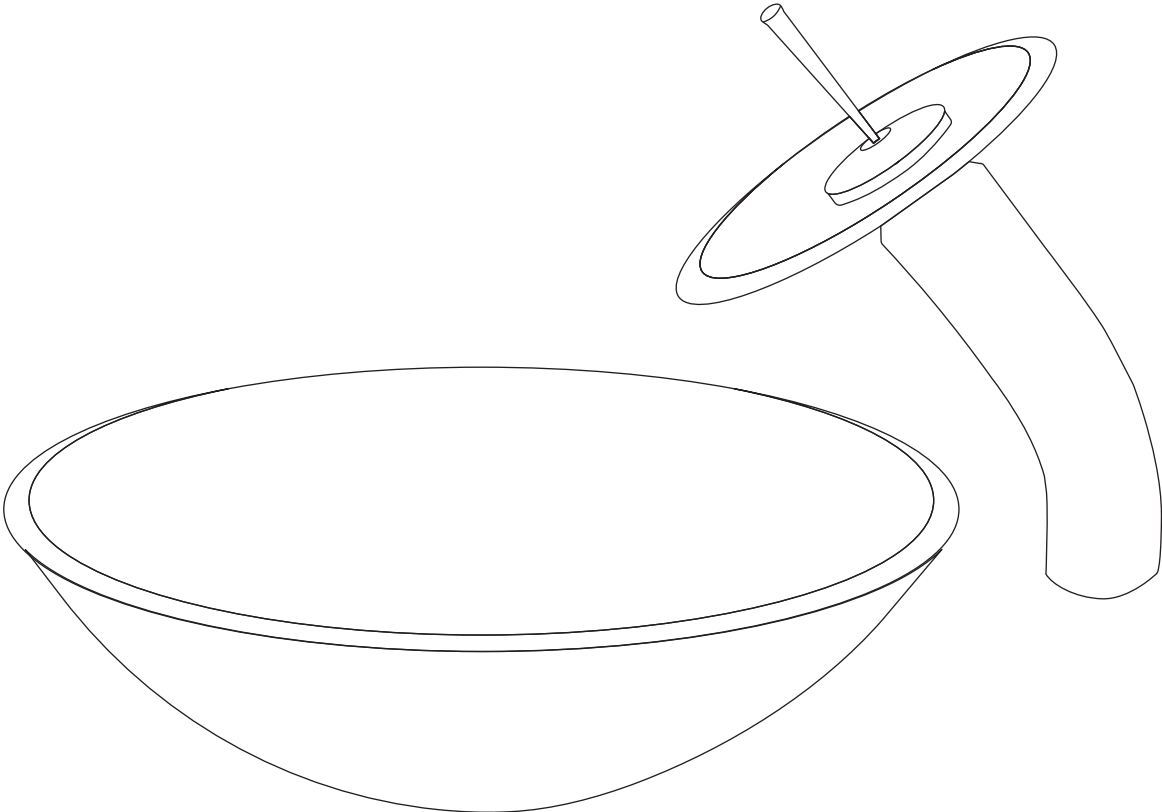


# Cascade Vessel Sink & Waterfall Faucet

## INSTALLATION INSTRUCTIONS

---



@SwissMadison  
#WellMadeForever





## PRIOR TO INSTALLATION:

- Inspect products to ensure no damages have occurred while in shipping.
- Observe all plumbing and building codes in accordance with your state and local requirements.
- All dimensions are nominal! Be sure to measure prior to installation.
- The step-by-step guidelines in the installation instructions are a general reference. Should there be any discrepancies, Swiss Madison cannot be held liable. It is recommended to install all Swiss Madison products by hiring a licensed professional.
- Read installation and maintenance instructions thoroughly before installing. Be sure to use proper tools and always wear proper personal safety accessories for your protection.

If you have any questions or concerns please contact us:  
1-434-623-4766  
info@swissmadison.com

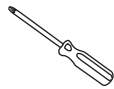
## SUGGESTED TOOLS & MATERIALS:



Safety Glasses

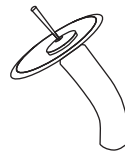


Wrench



Screwdriver

## INCLUDED PARTS:



Faucet



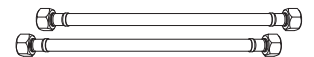
O-Ring



Installation Bolts



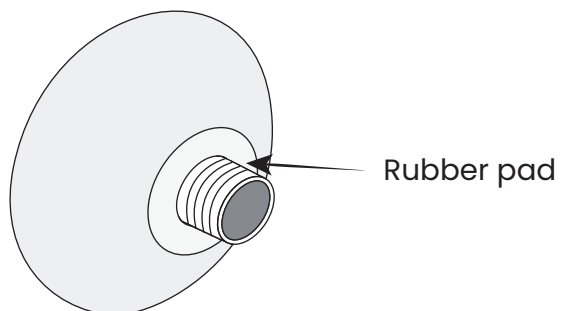
Faucet



Supply Lines

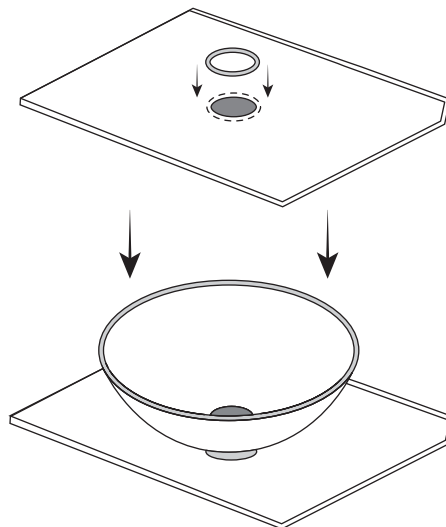
## 1. Install Base Ring

- Put the upper part of the drain into the drain hole, then install the rubber pad between the drain and the sink.



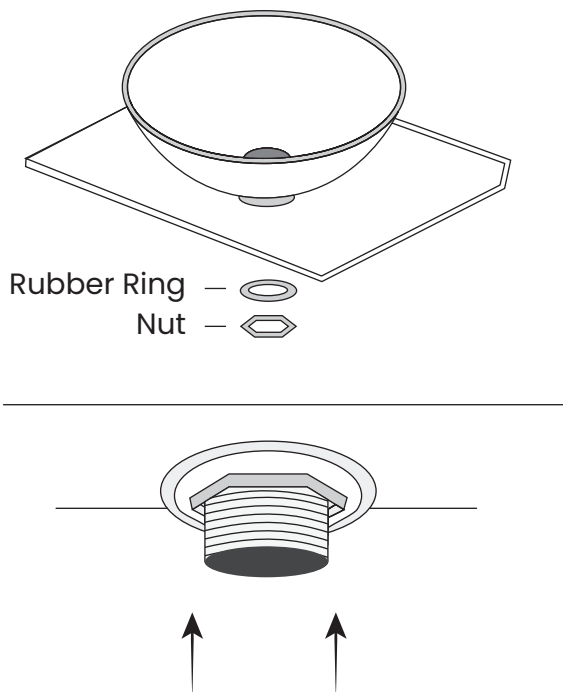
## 2. Place Sink

- Align the sink ring on top of the drain hole in the countertop and place the sink into the hole.



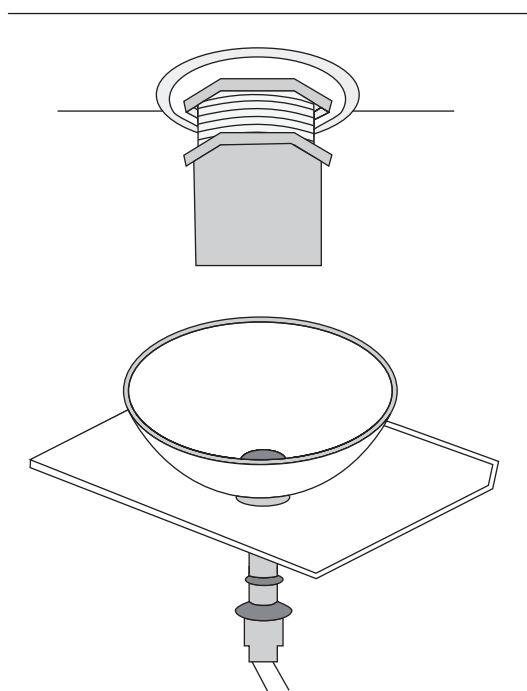
## 3. Tighten Sink into Position

- Put the rubber ring on the bottom half of the drain that is under the counter, then put on the nut and tighten.



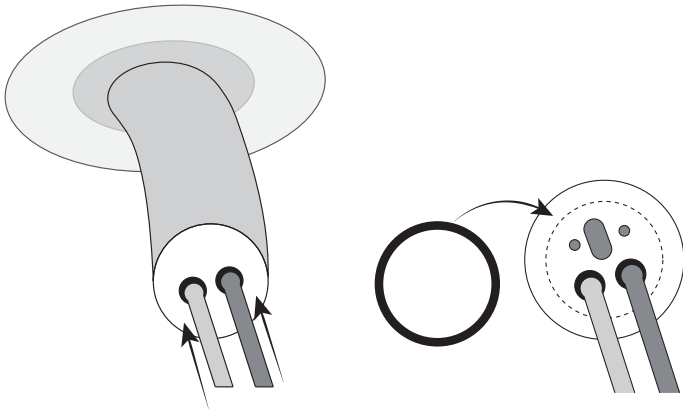
## 4. Connect Drain

- Put together the other half of the drain and the flexible hose. Screw off the nut on the top of the drainpipe slightly, then connect the drain and tighten it.
- Connect top and bottom part of drain.



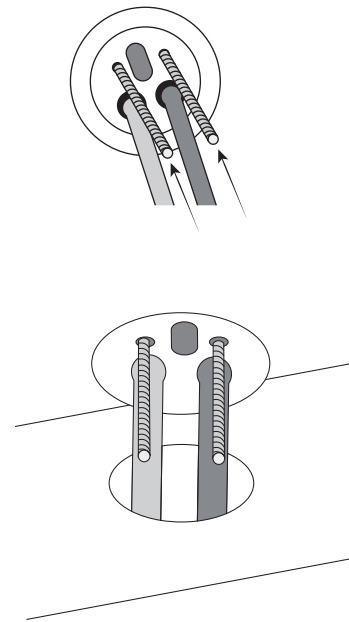
## 1. Connect Faucet

- Connect the hot and cold water inlet pipes and tighten them to the bottom of the faucet.
- Put the small, round, rubber ring on the round edge of the indented curve.



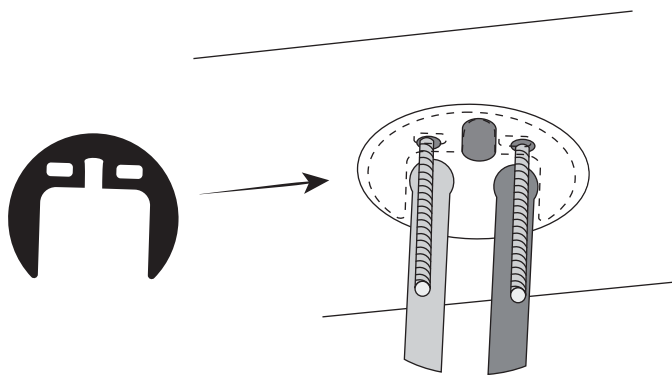
## 2. Position Faucet

- Screw in both bolts about a quarter of the way into the bottom of the faucet.
- Put the water inlet pipe into the faucet hole of the counter, adjust the faucet to be in the correct position.



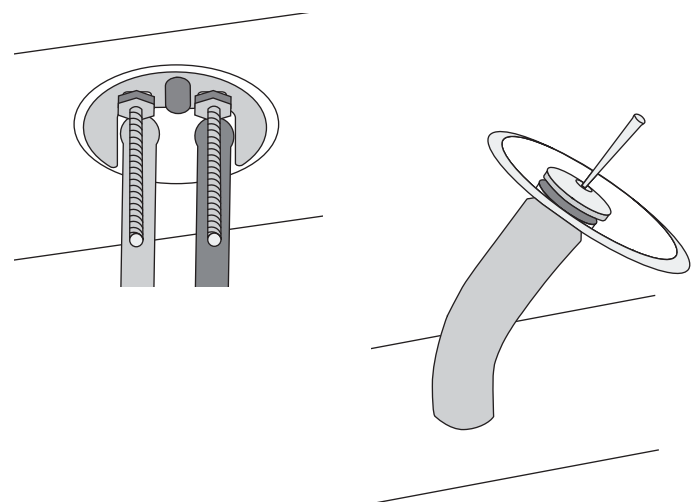
## 3. Secure Faucet

- Adjust the direction of the faucet and install the U-shaped rubber pad around the bolts and water inlet pipes.



## 4. Connect to Water Supply

- Install the U-shaped metal sheet and tighten the nuts onto the bolts to keep faucet in place. Ensure the faucet is secure, then connect to the building water supply line, and allow water to run for one minute. Check for leaks.



## ONE YEAR LIMITED WARRANTY

Swiss Madison® products are made with quality materials and excellent craftsmanship to provide our customers with beautiful, durable, long-lasting products. Should there be any defects in materials or craftsmanship under regular use that are discovered within the first year of installation, Swiss Madison® will provide replacement parts at no charge, or at its discretion, replace any product or part of the product that is deemed defective, under normal installation, use, service or maintenance. This warranty applies only to the original purchaser. Proof of purchase will be required in the instance of a claim.

Swiss Madison® recommends all installations of Swiss Madison® products to be conducted by a licensed, professional plumber or contractor. Swiss Madison® will not be held responsible for any damage or product failure due to improper installation, misuse, or failure to utilize a licensed professional for installation. Swiss Madison® is not responsible for any installation or removal costs.

### **This One Year Limited Warranty Will Be Voided If:**

- The installation recommendations were not followed by the installer
- The product has been moved from its initial place of installation
- The product has in any way been modified from its packaged state
- The product has been subjected to improper maintenance, abuse, misuse, excessive use of chemicals, accidents, or other damages, etc.

Swiss Madison® makes no implication that its products comply with any local building or plumbing codes. It is the consumer's responsibility and obligation to determine local code compliance prior to and during installation. This warranty extends only to the original purchaser and first consumer.

Swiss Madison® is not responsible for any special, incidental or consequential damages associated with the installation, replacement, return or use of the original purchaser's product. This includes, but is not limited to: freight costs, labor, travel time, lost profit, home damages and other contingent liabilities and costs (including, without limitation, costs associated with 'professionals' or 'experts', investigations, audits, analyses, attorneys and any other professional/hired services).

The Swiss Madison® warranty is a comprehensive and explicit limit of liability. All items not disclosed within the warranty are not addressable within the responsibility of Swiss Madison®. Certain states have variances regarding implied warranties; in those situations, we remain fully compliant.

**If you have any questions or concerns, please contact us directly at  
1-434-MADISON (623-4766)**

**⚠ WARNING:** Contents of your order may contain sharp and possibly other harmful pieces and may cause hazard to children and adults. Swiss Madison® is not responsible in any way for personal damages.