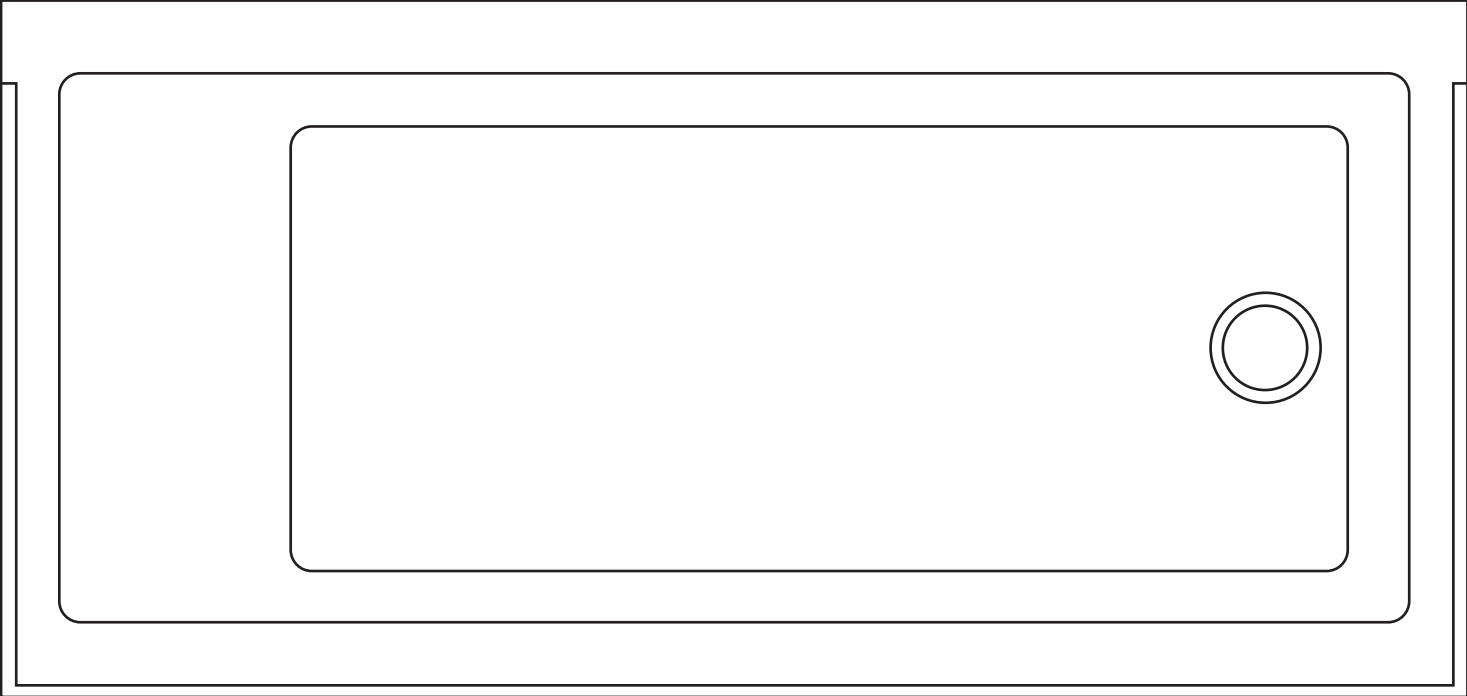


INSTALLATION INSTRUCTIONS



Drop-in Bathtub



Share your pictures for a feature!
using **#SwissMadison**





Prior to Installation:

- Inspect bathtub to ensure no damages have occurred while in shipping
- Observe all plumbing and building codes in accordance with your state and local requirements
- Additional floor and wall preparations may be necessary to avoid damage to the product
- To ensure this product is installed properly, please read all instructions before you begin
- Professional help is recommended

General Recommendations: Read installation and maintenance instructions thoroughly before installing the tub. Be sure to use proper tools and always wear proper personal safety accessories for your protection.

If you have any questions or concerns please contact us:

1-434-623-4766
info@swissmadison.com

Thank you for your purchase

Thank you for purchasing a Swiss Madison Bathtub.

We appreciate your business and know you will enjoy your tub for many years to come.

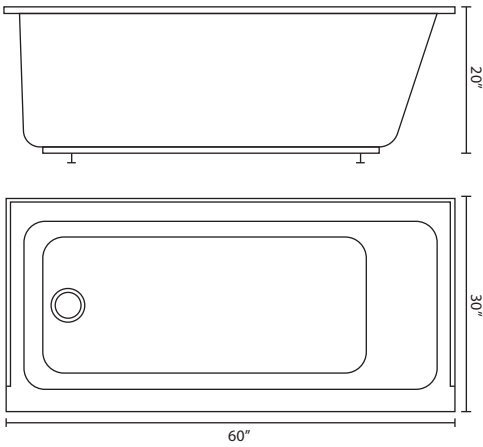
If you have any questions or require assistance we would be happy to help,
please contact us at 1-434-6234766 or info@swissmadison.com.

To learn more about our products, please visit:

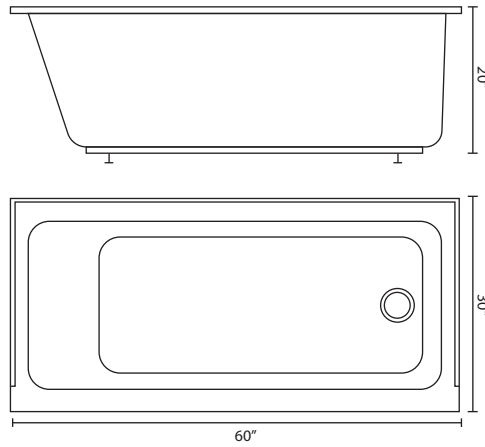
www.swissmadison.com

Sincerely,

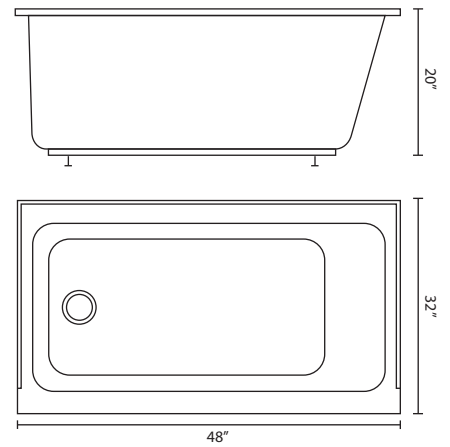
The Swiss Madison Team



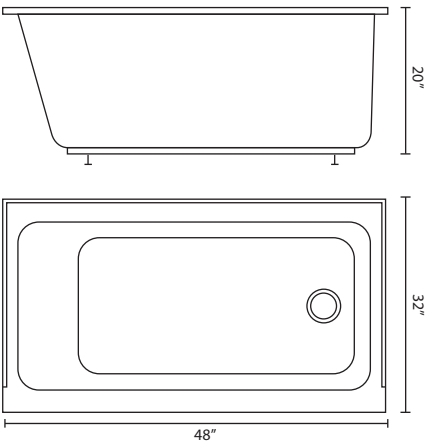
SM-DB559
60" x 30" x 20"
*Left-Hand Drain



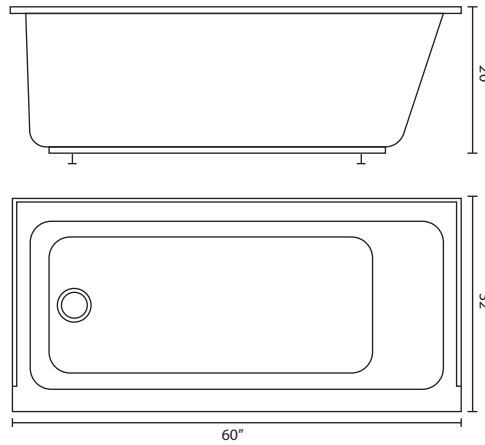
SM-DB560
60" x 30" x 20"
*Right-Hand Drain



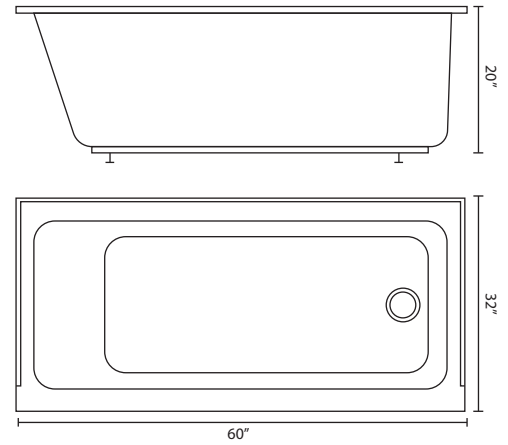
SM-DB561
48" x 32" x 20"
*Left-Hand Drain



SM-DB562
48" x 32" x 20"
*Right-Hand Drain



SM-DB563
60" x 32" x 20"
*Left-Hand Drain

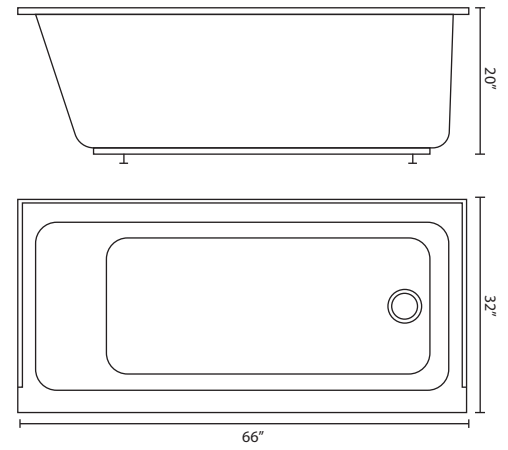
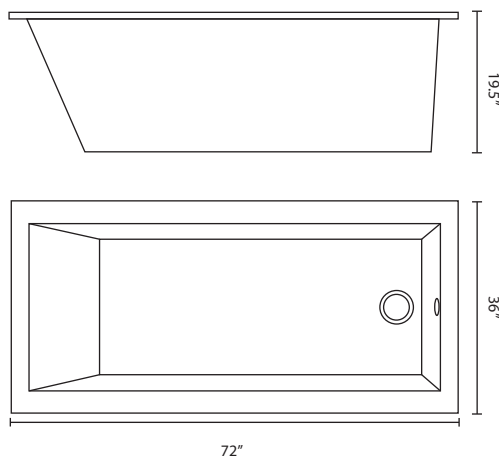
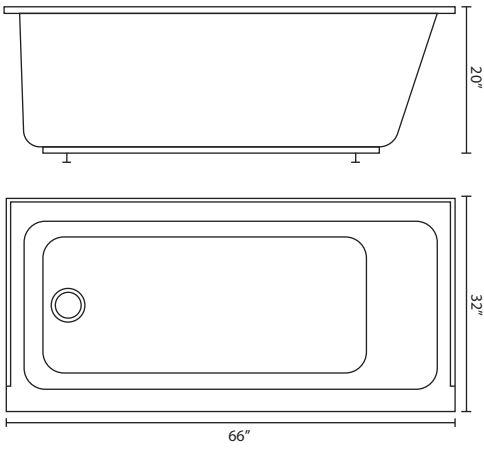


SM-DB564
60" x 32" x 20"
*Right-Hand Drain

***COMPATIBLE DRAIN SOLD SEPARATELY, STANDARD 2" DRAIN**
Bathtub drains NOT sold by Swiss Madison

DROP-IN BATHTUB

MODELS



SM-DB565

66" x 32" x 20"

*Left-Hand Drain

SM-DB567

72" x 36" x 19.5"

*Reversible Drain

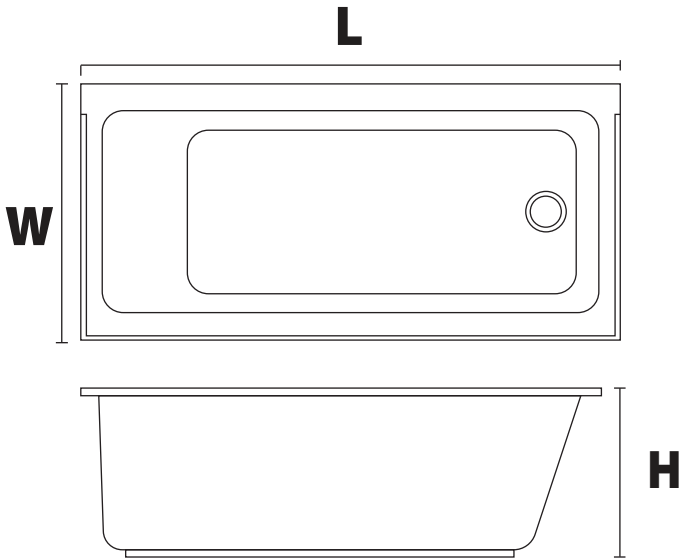
SM-DB566

66" x 32" x 20"

*Right-Hand Drain

***COMPATIBLE DRAIN SOLD SEPARATELY, STANDARD 2" DRAIN**

Bathtub drains NOT sold by Swiss Madison



SKU	NAME	L x W x H	DRAIN
SM-DB559	VOLTAIRE	60" x 30" x 20"	Left-Hand
SM-DB560	VOLTAIRE	60" x 30" x 20"	Right-Hand
SM-DB561	VOLTAIRE	48" x 32" x 20"	Left-Hand
SM-DB562	VOLTAIRE	48" x 32" x 20"	Right-Hand
SM-DB563	VOLTAIRE	60" x 32" x 20"	Left-Hand
SM-DB564	VOLTAIRE	60" x 32" x 20"	Right-Hand
SM-DB565	VOLTAIRE	66" x 32" x 20"	Left-Hand
SM-DB566	VOLTAIRE	66" x 32" x 20"	Right-Hand
SM-DB567	VOLTAIRE	72" x 36" x 19.5"	Reversible

SUGGESTED TOOLS AND MATERIALS



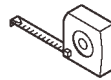
Safety Glasses



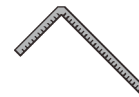
Utility Knife



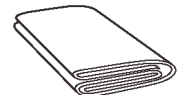
Pencil



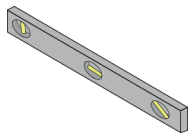
Tape Measure



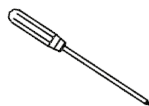
Square



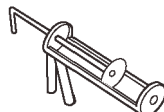
Drop Cloth



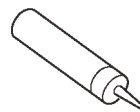
Level



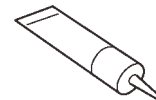
Screwdriver



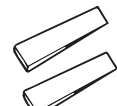
Caulk Gun



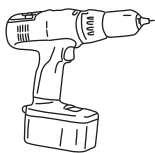
Adhesive
1 tube



Sealant
1 tube



Shims



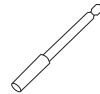
Drill
5mm Drill Bit



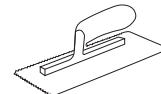
30mm Screws
(Zinc/Stainless;
Plain/Roundhead)



Phillips Bit



Extension Bit
Holder
(for use with
Phillips Bit)



1/4" V-Notched
Trowel

CAUTION: PRODUCT IS FRAGILE. TO AVOID BREAKAGE AND POSSIBLE INJURY HANDLE WITH CARE.

NOTE: Pictures may not exactly define contour of china and components.



WARNING: All plumbing installations must be done in accordance to legal regulations.



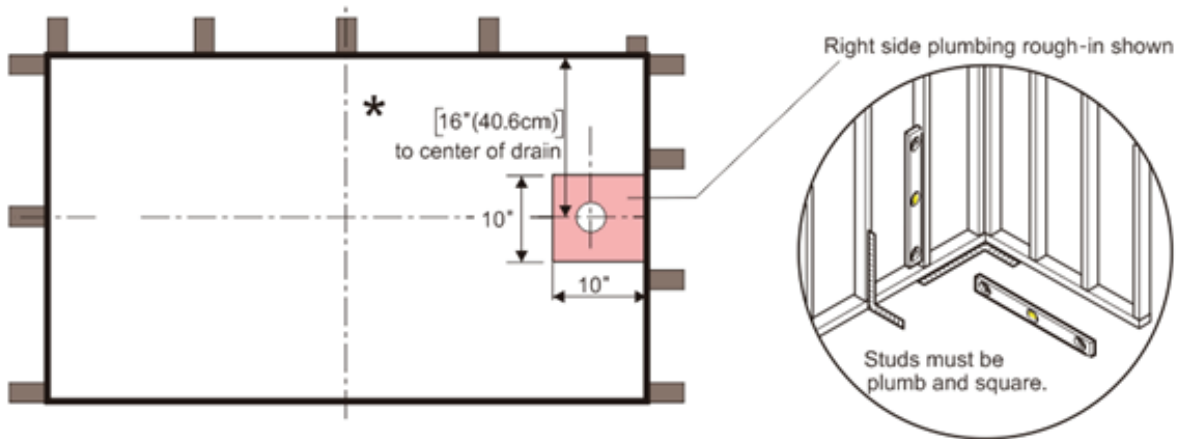
1. Read the complete instruction manual before beginning installation.
2. Confirm that your model will fit in intended location and plumbing fixtures are located where legally required before beginning installation.
3. Not all drawings on this manual are drawn to scale. Please refer to the model chart.
4. Walls and sub-floor must be solid, and square.
5. Always use drop cloth to protect bathtub from damage during installation.
6. **Two people must be used at all times to move and install bathtub.**



ATTENTION! Before installing the bathtub:

- Make sure all wood studs and supports are properly installed.
- Verify all the necessary plumbing is installed by a certified plumber.
- Floor drain and trap are not included. Make sure to install according to local and legal regulations.

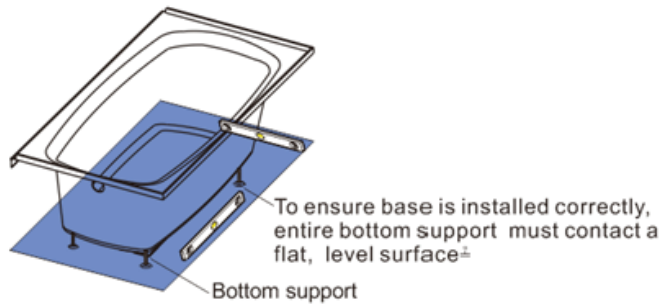
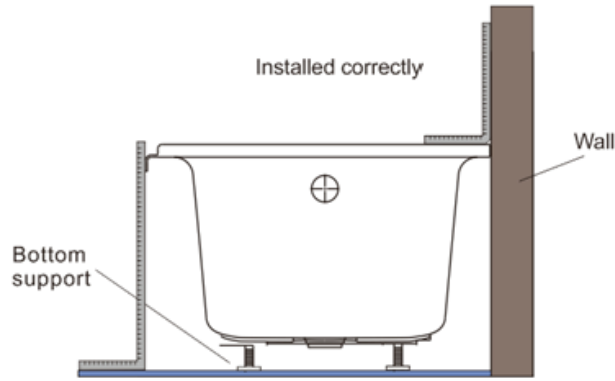
1. Roughing-in Drain and Bathtub



* Rough plumbing must be installed before bathtub installation.

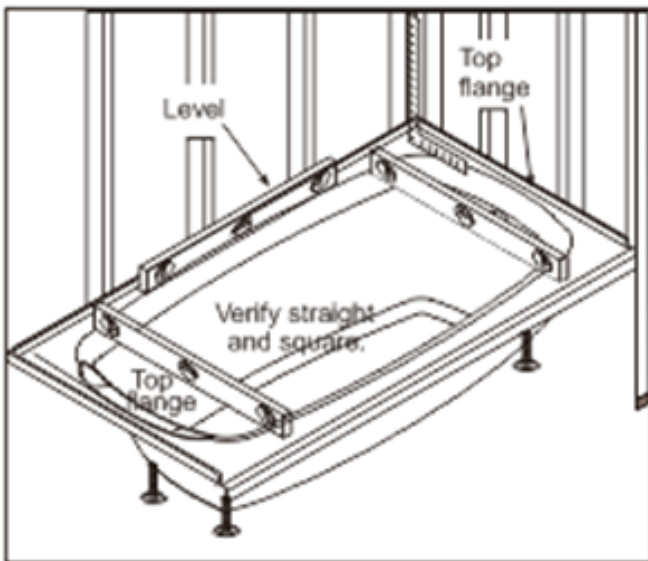
* Floor drain and trap are not included. Make sure to install according to local and legal regulations.

2. Position Tub

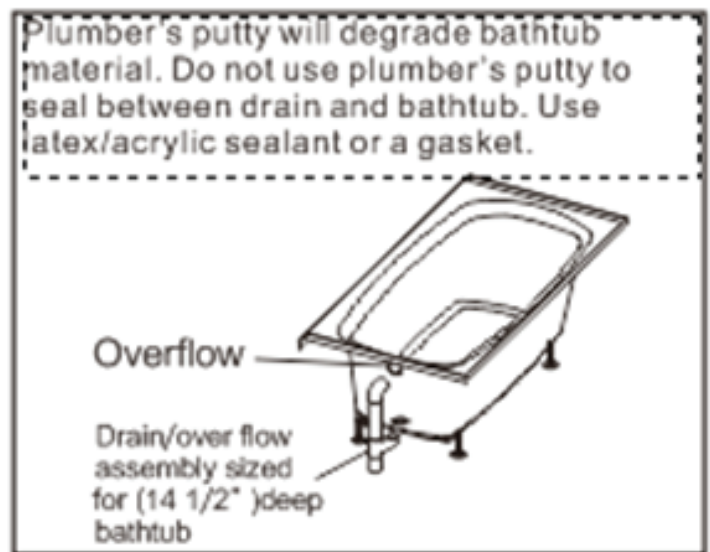


- Do not install the product with any air gaps under the bottom support or product damage will occur.
- TIP: If installation surface is not level, use leveling compound or mortar bed for proper installation.

3. Ensure Tub is Level

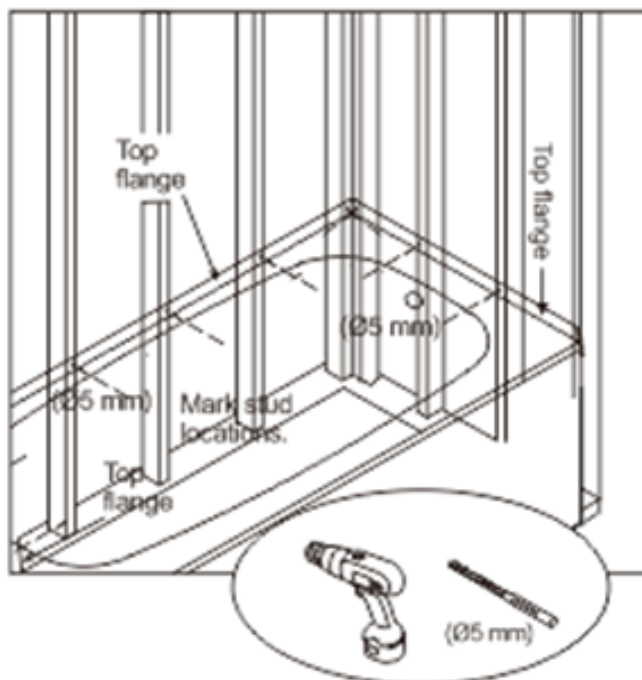


4. Drill and Install Plumbing Fixtures

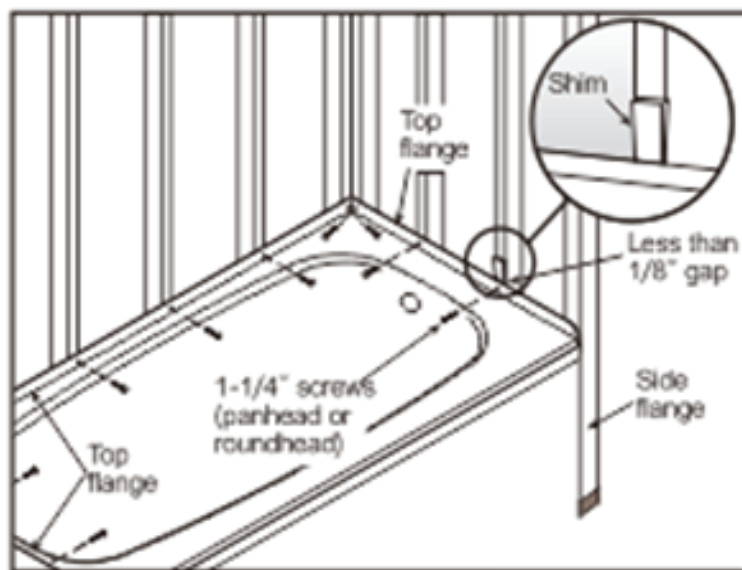


NOTE: Swiss Madison is not responsible for any damages to the tub or home during entire installation process.

4. Mark and Pre-Drill Screw Hole Locations



5. Finally Screw Into Place



- Lay mortar bed and carefully lower bathtub into predetermined location.
- Secure tub by screwing flange into the predrilled holes from step 4.
- TIP: Place drop cloth in bathtub and stand inside bathtub to press it into floor when securing to wall studs.

NOTE: Swiss Madison is not responsible for any damages to the tub or home during entire installation process.

ONE YEAR LIMITED WARRANTY

Swiss Madison® products are made with quality materials and excellent craftsmanship to provide the customers a long lasting product. In the case of any defects in materials or craftsmanship under regular use were inspected in the first year of purchase, Swiss Madison® will provide replacement parts at no charge, or at its option, replace any product or part of the product that is deemed defective, under normal installation, use, service and maintenance. This warranty applies only to the original purchaser. Proof of purchase will be required in the case of a claim.

Swiss Madison® recommends the installations to be made by a licensed, professional plumber. Swiss Madison® will not be held responsible for any damage or product failure due to improper installation, misuse, or failure to use a licensed professional. Swiss Madison® is not responsible for any removal or installation cost.

This One Year Limited Warranty will be voided if:

- The installation recommendations were not followed.
- The product has been moved from it's initial place of installation.
- The product has been modified.
- The product has been subjected to improper maintenance, abuse, misuse, excessive use of chemicals, accident or other damages.

Swiss Madison® makes no implication that products comply with any or all local building or plumbing codes. It is the consumer's responsibility to determine local code compliance. This warranty extends to the original purchaser and first consumer.

Swiss Madison® is not liable for any incidental, consequential or special damages associated with the return, replacement, installation or use of your product. This includes freight costs, labor, travel time, lost profit, home damages and other contingent liabilities and costs (including, without limitation, costs associated with experts, investigations, analyses, attorneys and other professionals and services).

The Swiss Madison® warranty is a comprehensive and explicit limit of liability, and all items outside of it are not addressable by or the responsibility of Swiss Madison®. Certain states have variances regarding implied warranties and in those situations we remain fully compliant.

In the case of any questions or a claim contact us directly at 1-434-MADISON (623-4766).

WARNING: Content may contain sharp and other possibly harmful pieces and may cause hazard to children and adults, Swiss Madison® is not responsible in any way for personal damage.