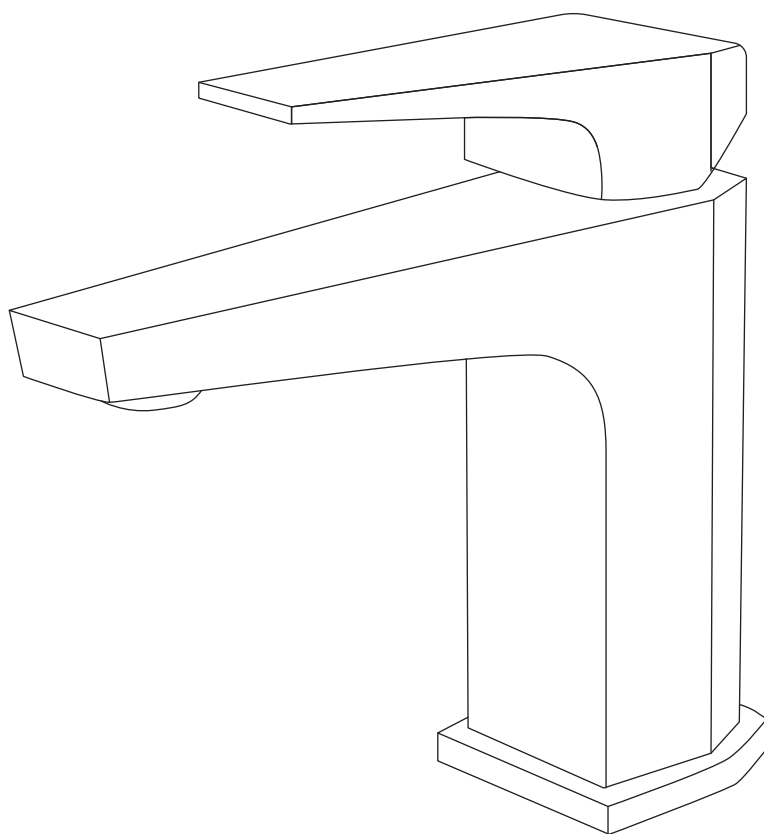


INSTALLATION INSTRUCTIONS

Swiss Madison[®]
well made forever

Voltaire Bathroom Faucet SM-BF40 / SM-BF41



Share your pictures for a feature
using **#SwissMadison**



Thank you for your purchase!

Thank you for purchasing a Swiss Madison Faucet.

We appreciate your business and know you will enjoy your faucet for many years to come.

If you have any questions or require assistance we would be happy to help,
please contact us at 1-434-623-4766 or info@swissmadison.com.

To learn more about our products, please visit:

www.swissmadison.com

Sincerely,

The Swiss Madison Team



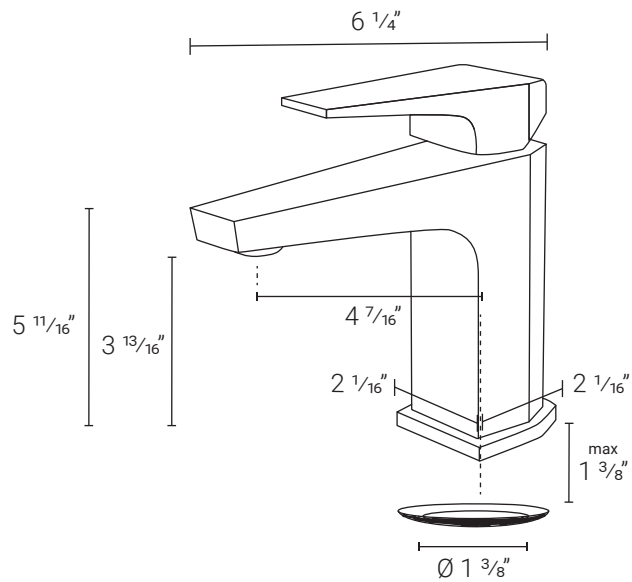
Prior to Installation:

- Inspect faucet to ensure no damages have occurred while in shipping.
- Observe all plumbing and building codes in accordance with your state and local requirements.
- Additional preparations may be necessary to avoid damage to the product.
- All dimensions are nominal! Be sure to measure your faucet prior to installation.

General Recommendations: Read installation and maintenance instructions thoroughly before installing the faucet.
Be sure to use proper tools and always wear proper personal safety accessories for your protection.

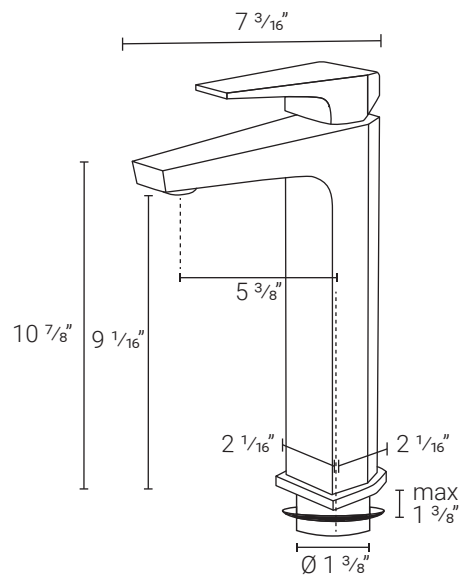
If you have any questions or concerns please contact us:

1-434-623-4766
info@swissmadison.com



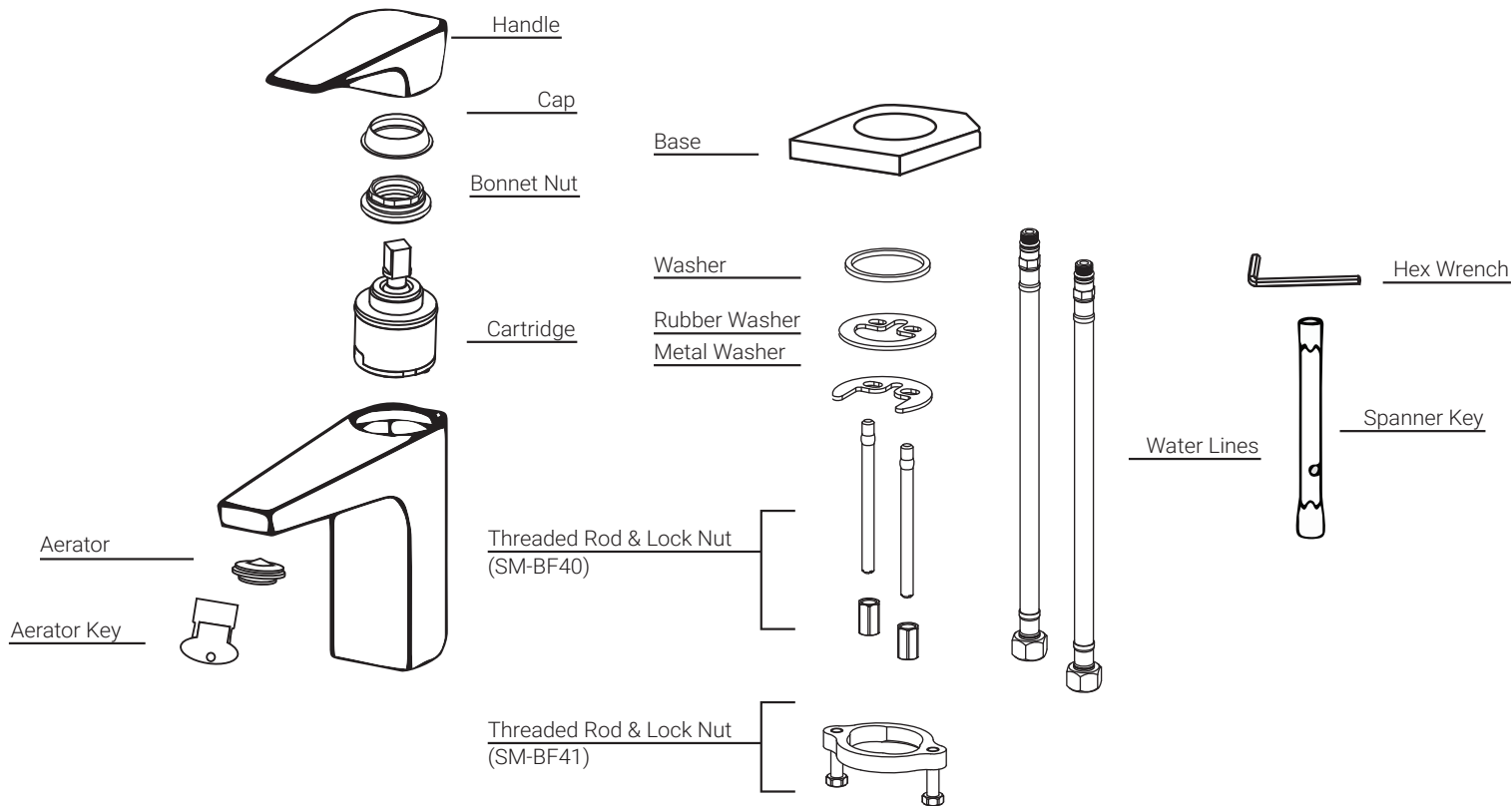
Voltaire 5.5" Faucet
 6 1/4" x 2 1/16" x 5 11/16"

- SM-BF40C - Chrome
- SM-BF40BG - Brushed Gold
- SM-BF40BN - Brushed Nickel
- SM-BF40GG - Gunmetal Grey
- SM-BF40MB - Matte Black
- SM-BF40OR - Oil Rubbed Bronze

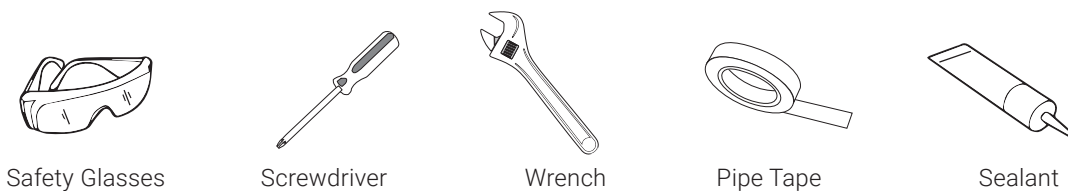


Voltaire 11" Faucet
 7 3/16" x 2 1/16" x 10 7/8"

- SM-BF41C - Chrome
- SM-BF41BG - Brushed Gold
- SM-BF41BN - Brushed Nickel
- SM-BF41GG - Gunmetal Grey
- SM-BF41MB - Matte Black
- SM-BF41OR - Oil Rubbed Bronze



SUGGESTED TOOLS AND MATERIALS

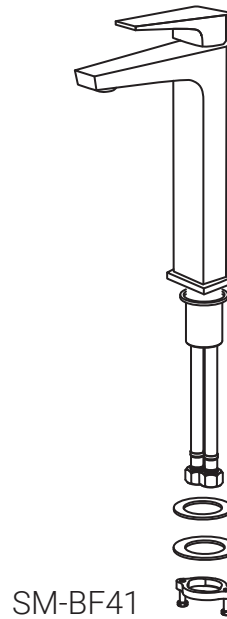
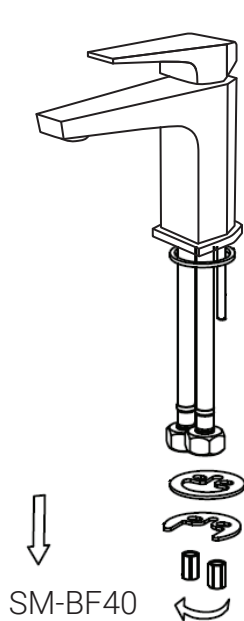


The step-by-step guidelines in the installation instructions are a general reference for installing a Swiss Madison Faucet. Should there be any discrepancies, Swiss Madison cannot be held liable. It is recommended to install all Swiss Madison products by hiring a licensed professional.

- ① 1. Read the complete instruction manual before beginning installation.
- 2. Confirm that your model will fit in intended location and plumbing fixtures are located where legally required before beginning installation.

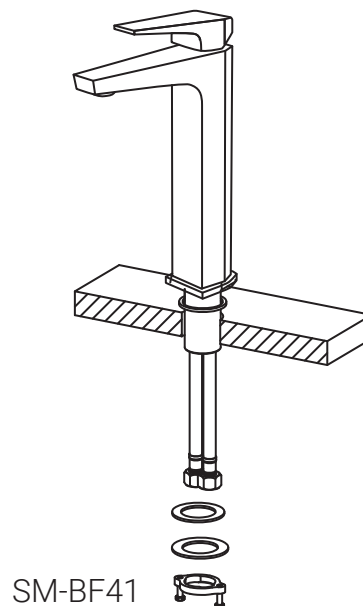
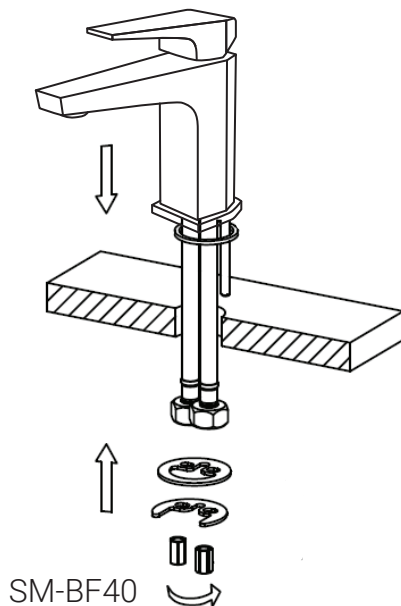
1. Remove Mounting Hardware

- Turn off water supply.
- Remove the lock nut from the thread rods, remove the metal and rubber washer from the faucet.



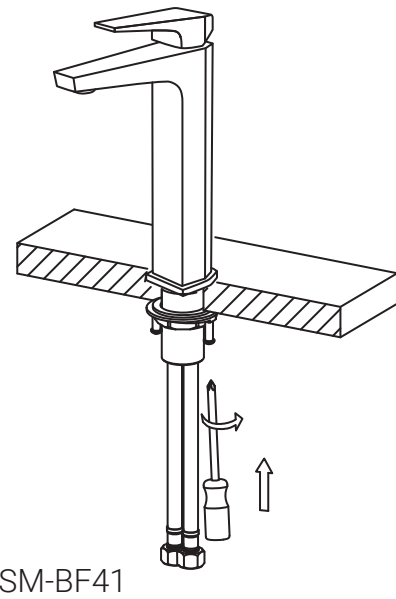
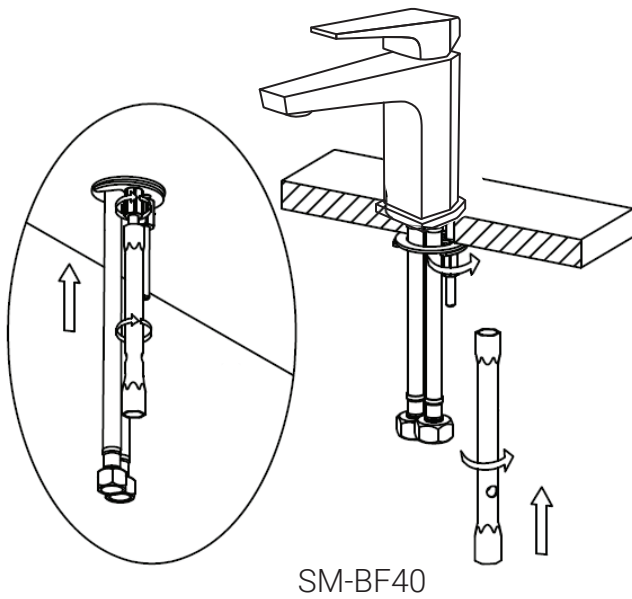
2. Install Faucet

- Place faucet through hole on countertop with the washer on the sink.
- Secure faucet to sink by using rubber washer, metal washer and lock nuts.



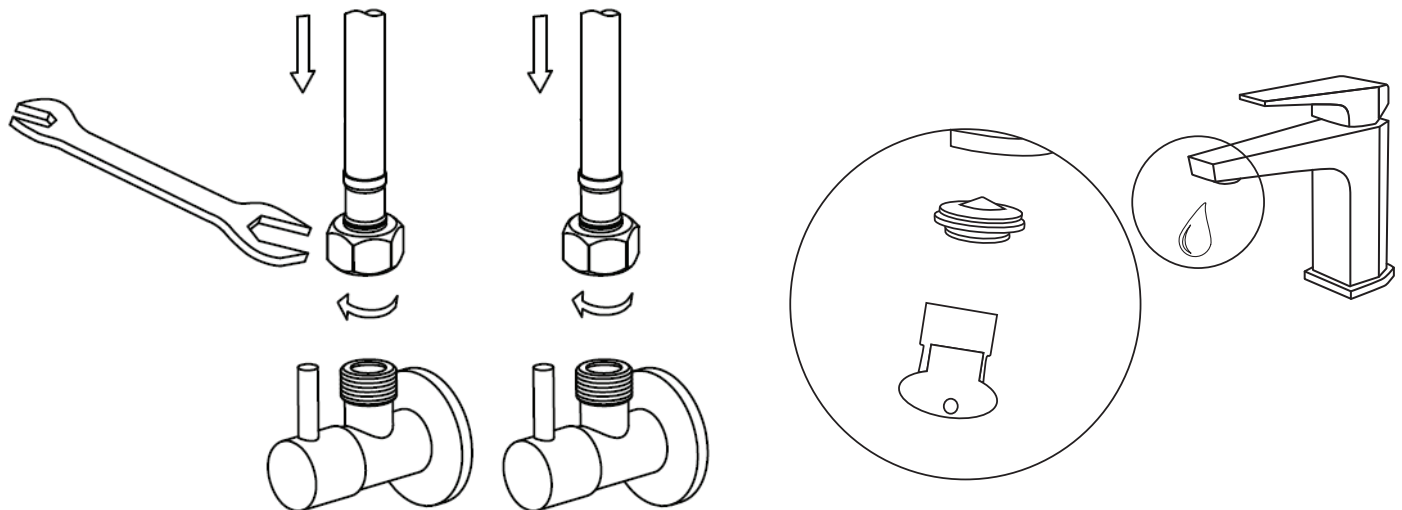
3. Tighten Lock Nuts

- Adjust direction of faucet and tighten lock nuts.



4. Connect Water Supply

- Connect water supply to hot and cold hose. Turn on and check for leaks.
- Remove aerator with aerator key, turn on water for 15 seconds to flush any debris. Reassemble aerator.



ONE YEAR LIMITED WARRANTY

Swiss Madison® products are made with quality materials and excellent craftsmanship to provide our customers with beautiful, durable, long-lasting products. Should there be any defects in materials or craftsmanship under regular use that are discovered within the first year of installation, Swiss Madison® will provide replacement parts at no charge, or at its discretion, replace any product or part of the product that is deemed defective, under normal installation, use, service or maintenance. This warranty applies only to the original purchaser. Proof of purchase will be required in the instance of a claim.

Swiss Madison® recommends all installations of Swiss Madison® products to be conducted by a licensed, professional plumber or contractor. Swiss Madison® will not be held responsible for any damage or product failure due to improper installation, misuse, or failure to utilize a licensed professional for installation. Swiss Madison® is not responsible for any installation or removal costs.

This One Year Limited Warranty Will Be Voided If:


- The installation recommendations were not followed by the installer
- The product has been moved from its initial place of installation
- The product has in any way been modified from its packaged state
- The product has been subjected to improper maintenance, abuse, misuse, excessive use of chemicals, accidents, or other damages, etc.

Swiss Madison® makes no implication that its products comply with any local building or plumbing codes. It is the consumer's responsibility and obligation to determine local code compliance prior to and during installation. This warranty extends only to the original purchaser and first consumer.

Swiss Madison® is not responsible for any special, incidental or consequential damages associated with the installation, replacement, return or use of the original purchaser's product. This includes, but is not limited to: freight costs, labor, travel time, lost profit, home damages and other contingent liabilities and costs (including, without limitation, costs associated with 'professionals' or 'experts', investigations, audits, analyses, attorneys and any other professional/hired services).

The Swiss Madison® warranty is a comprehensive and explicit limit of liability. All items not disclosed within the warranty are not addressable within the responsibility of Swiss Madison®. Certain states have variances regarding implied warranties; in those situations, we remain fully compliant.

**If you have any questions or concerns, please contact us directly at
1-434-MADISON (623-4766)**

 **WARNING:** Contents of your order may contain sharp and possibly other harmful pieces and may cause hazard to children and adults. Swiss Madison® is not responsible in any way for personal damages.