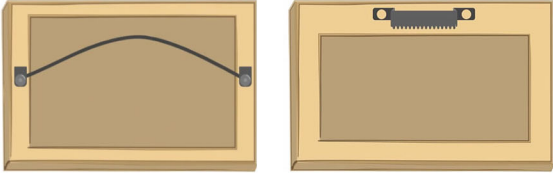


**Note:**

These instructions are for frames with a wire or a single, centered hanging mount such as a sawtooth bracket.

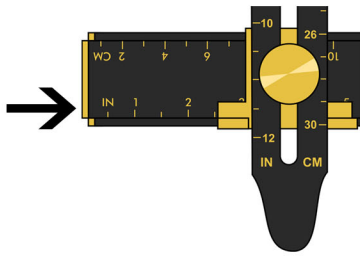


## GETTING STARTED

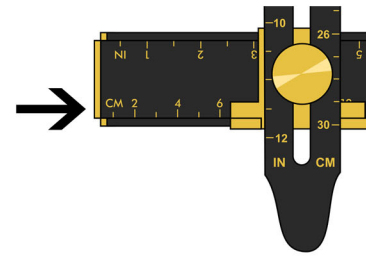
**A.** Decide how many frames will be hung in the grouping and where on the wall you would like to hang them.

**B.** Prepare The Ruler

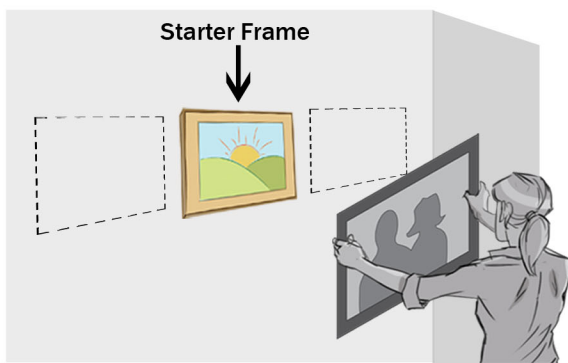
If you will be measuring with inches, ensure the crossbar's ruler is inch-side up with the HIP arms pointing downward.



If you will be measuring with centimeters, ensure the crossbar's ruler is centimeter-side up with the HIP arms pointing downward.



**C.** The hanging of the horizontal frame sequence will begin with the grouping's center frame. This frame will be referred to as the starter frame. Each additional frame will 'build' off the starter frame. Decide where on the wall the top & center of the starter frame will be positioned.

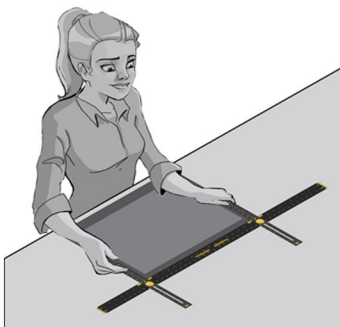


**D.** Hang the starter frame following the HIP instructions for "Hanging A Single Frame". These instructions are located on the website under the "How To:" link.

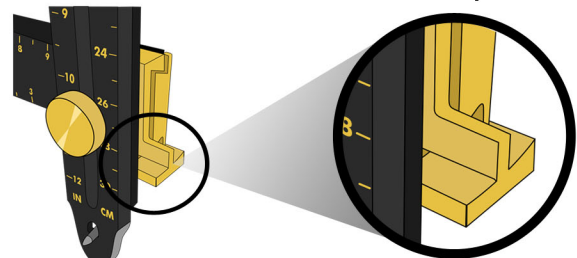
**E.** To begin hanging the horizontal grouping sequence, select the first frame that will be hung to the right of the starter frame.

## STEP 1

**A.** Place the frame face down on a level surface.

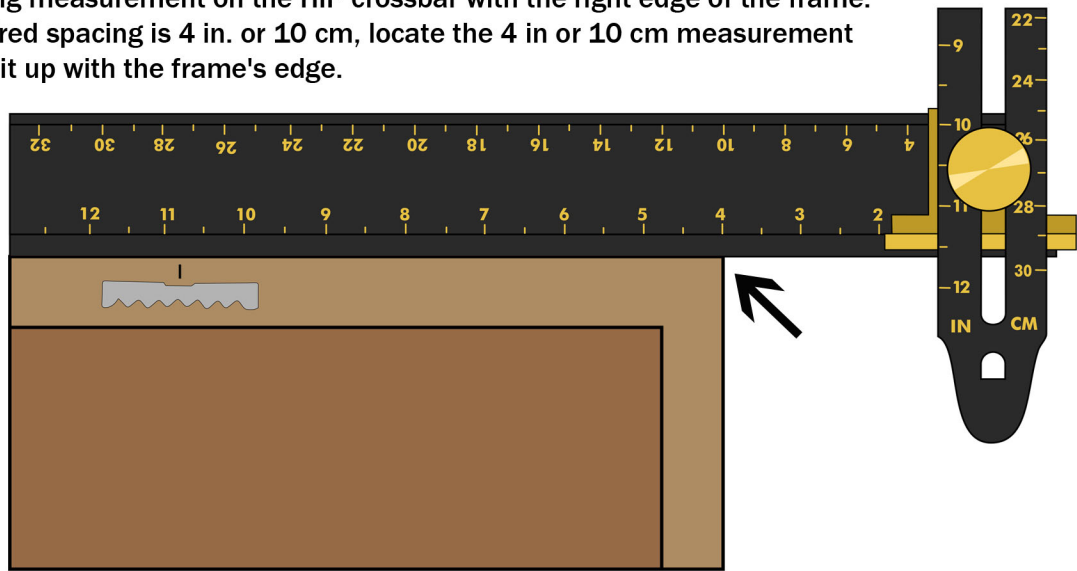


**B.** Move the right arm of HIP to be flush with the end of the crossbar. Tighten to secure in place. A ledge is formed on the end that will be used in step 3.

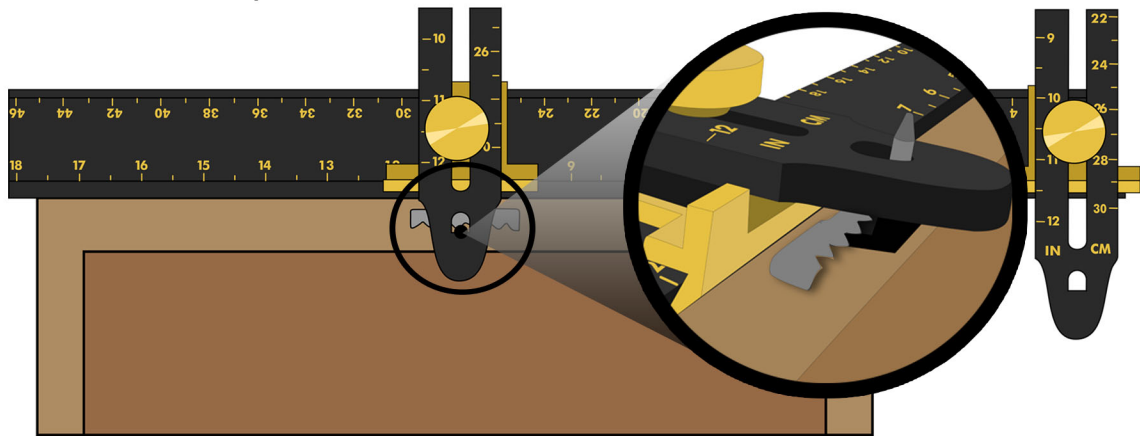


## STEP 2

- A. Decide the spacing you desire between the frames.
- B. Determine top center of the frame with a pencil mark.
- C. Align the frame spacing measurement on the HIP crossbar with the right edge of the frame. For example, if your desired spacing is 4 in. or 10 cm, locate the 4 in or 10 cm measurement on the crossbar and line it up with the frame's edge.

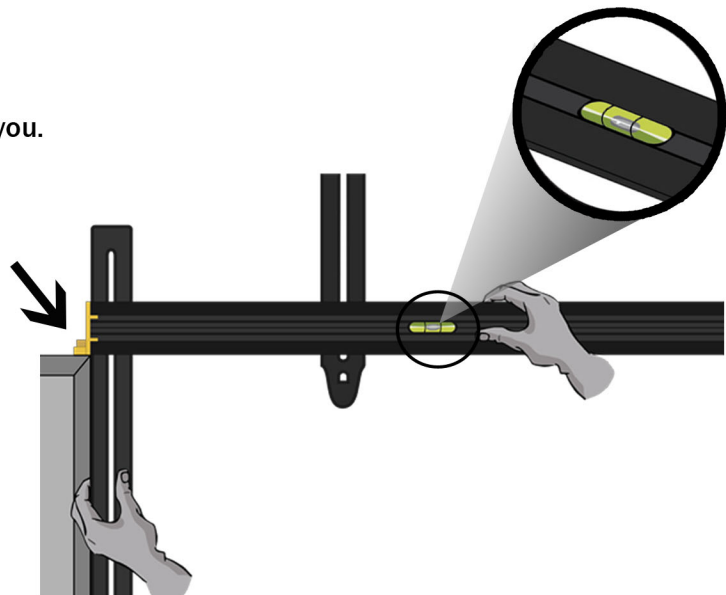


- D. Move the left arm of HIP to the frame center. Slide arm up until hook catches the center of the frame's hanging mount or wire. Tighten knob to secure arm in place.



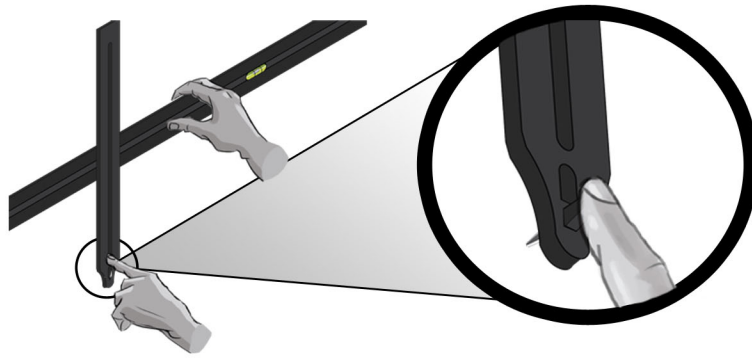
## STEP 3

- A. Remove HIP from frame.
- B. To the right of the starter frame on the wall, place HIP with knobs against the wall and the level facing you.
- C. Set the ledge (noted from step 1) on the starter frame's right edge.
- D. Use the level to ensure the crossbar is straight.

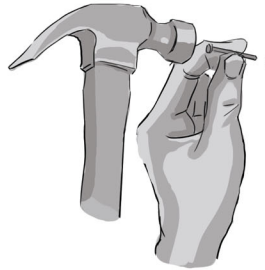


## STEP 4

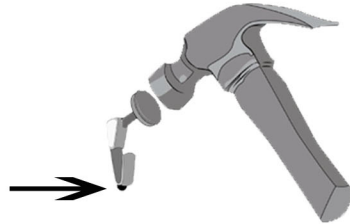
A. Firmly press the hook so that the pin creates a dimple mark on the wall.



B. If using a nail as your wall hardware, install it into the dimple mark.



C. If using a hanger as your wall hardware, place the bottom edge of the hanger atop the dimple mark, then install.



D. Hang the frame!



### NOTES:

If you want to hang more frames, 'building' to the right, repeat the steps above.

To 'build' off the starter frame to the left, follow the steps above except with these modifications:

#### MODIFY STEP 1-B:

Slide the left arm of HIP to the left so it is flush with the end of the crossbar (instead of sliding the right arm to the right).

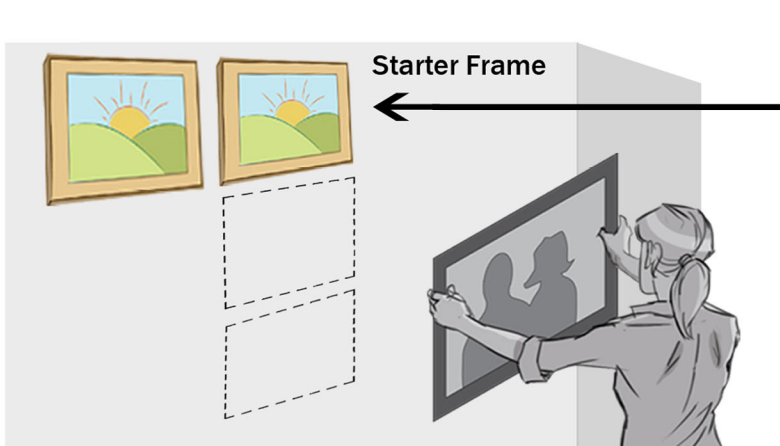
#### MODIFY STEP 2-C.:

Align the frame spacing measurement on the HIP crossbar with the left edge of the frame (instead of the right edge).

#### MODIFY STEP 3-C.:

Set the ledge (noted from step 1) on the starter frame's left edge (instead of the right edge).

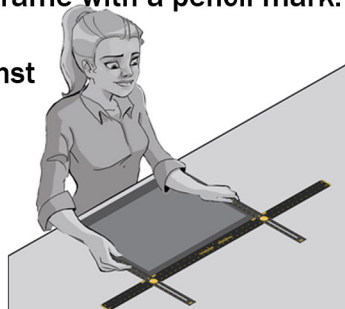
Once your horizontal frames are hanging, **select** one of the frames and complete the following steps using the **selected** frame as your starter frame.



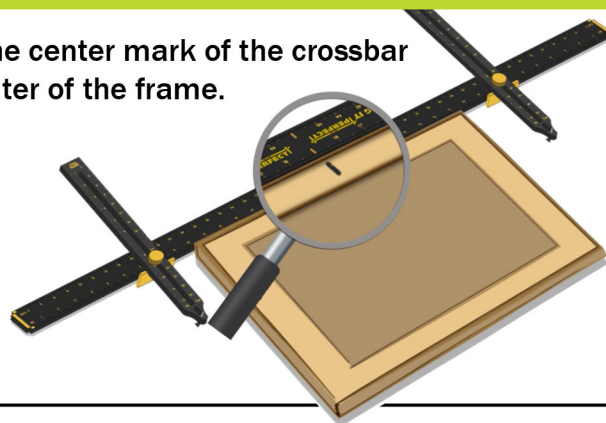
## STEP 5

A. Place the frame face down on a level surface and determine the center of the frame with a pencil mark.

B. Position the crossbar against the top of the frame.

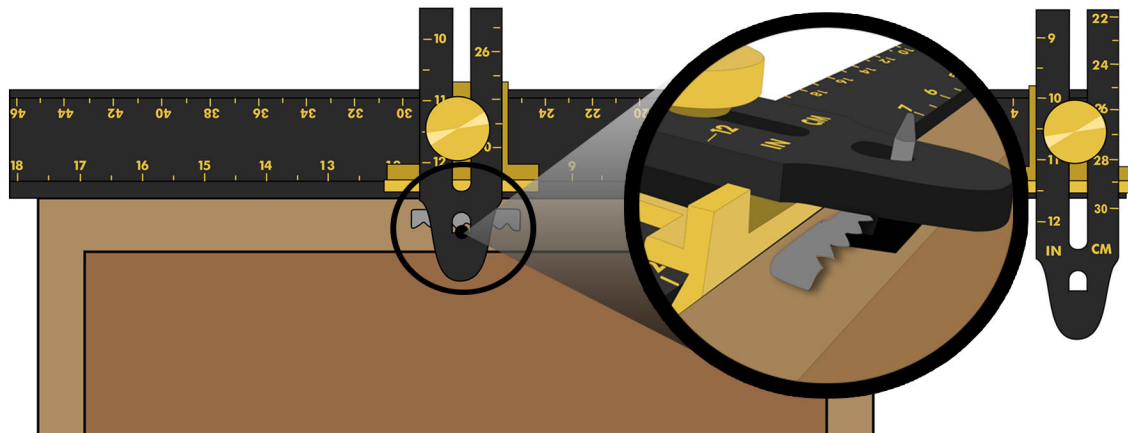


C. Align the center mark of the crossbar to the center of the frame.



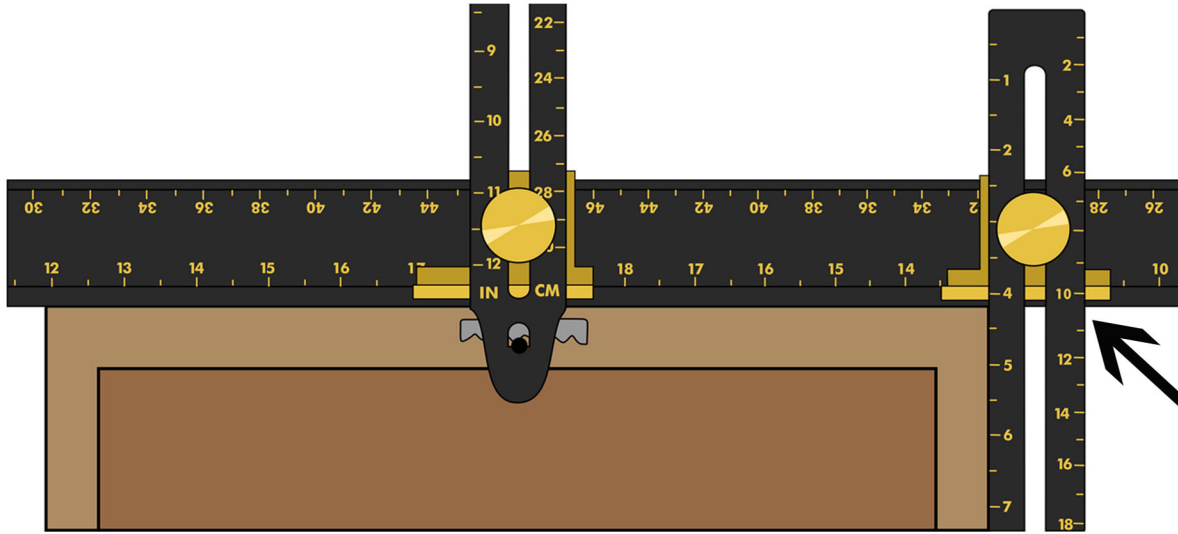
## STEP 6

A. Move the left arm of HIP to the frame center. Slide arm up until hook catches the frame's hanging mount or wire. Tighten knob to secure arm in place.



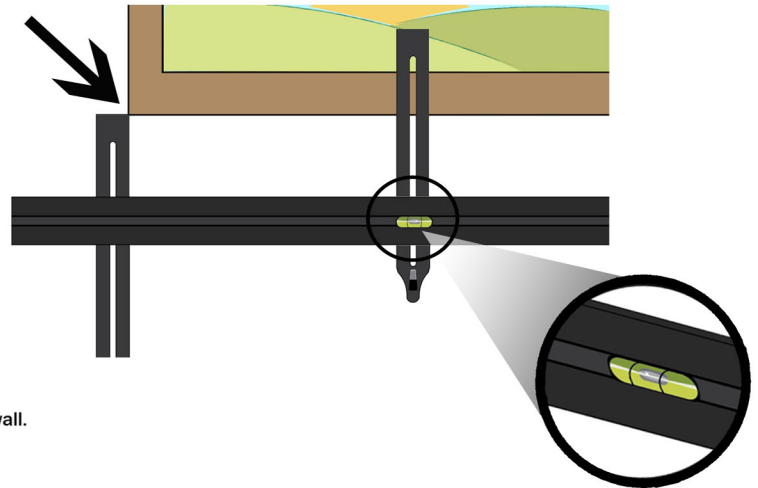
## STEP 7

- A. To set the vertical spacing measurement, move the right arm of HIP flush against the right side of frame.
- B. Slide the arm up or down so that the desired measurement is in alignment with the base of the crossbar. For example, if you desire 4in. or 10cm spacing, slide the arm up or down until the 4in or 10cm measurement lines up with the crossbar's lower edge. Tighten knob to secure in place.

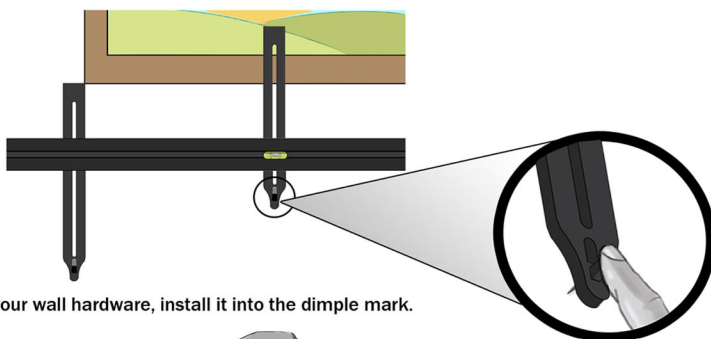


## STEP 8

- A. Remove HIP from frame.
- B. Beneath the starter frame on the wall, place HIP with knobs against the wall and level facing you.
- C. Align the top corner of the left arm with the bottom left corner of the above starter frame.
- D. Use the level to ensure the crossbar is straight.



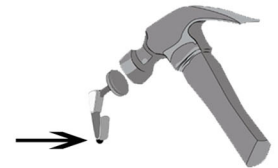
- A. Firmly press the hook on the right arm so that the pin creates a dimple mark on the wall.



- B. If using a nail as your wall hardware, install it into the dimple mark.



- C. If using a hanger as your wall hardware, place the bottom edge of the hanger atop the dimple mark, then install.



- D. Hang the frame!



## ADDITIONAL FRAMES...

- To hang additional frames building “downwards” - REPEAT STEPS 5 - 8
- To hang additional frames building “across” - REPEAT STEPS 1 - 4