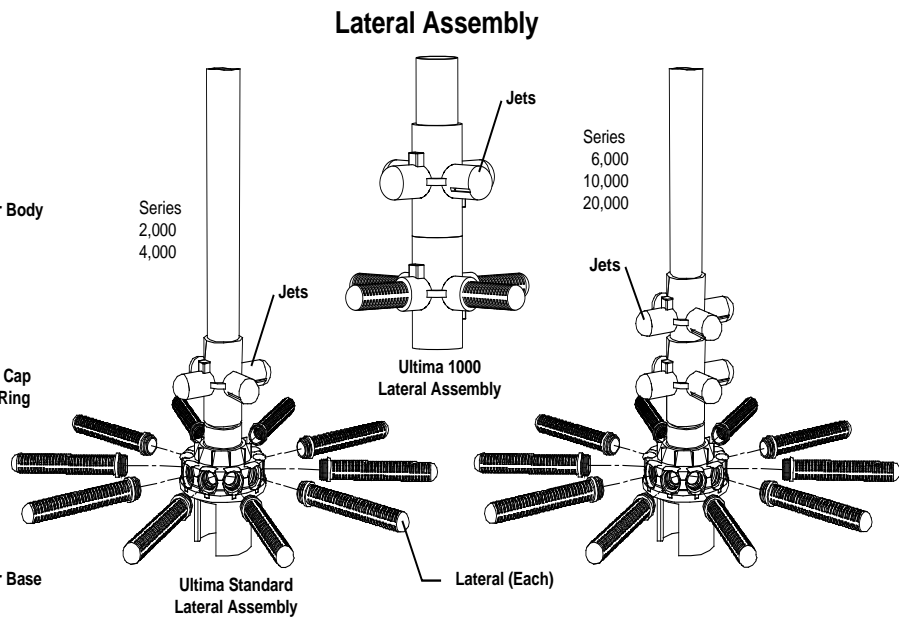
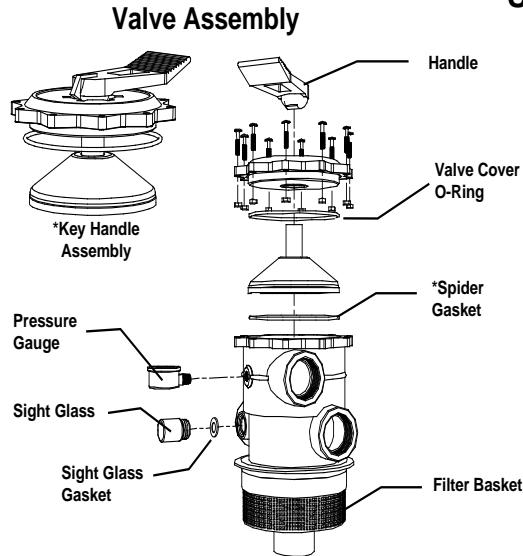
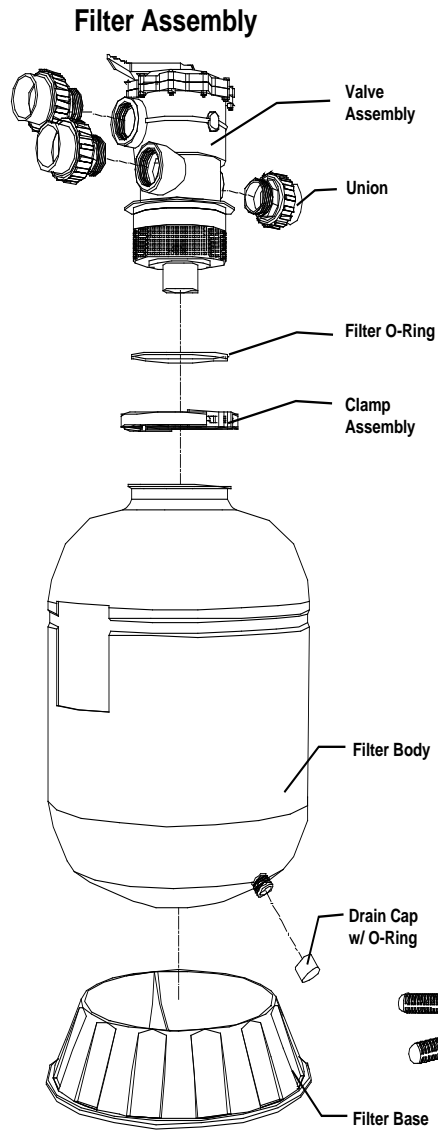


ULTIMA II UV REPLACEMENT PARTS

ULTIMA II 1,000-20,000



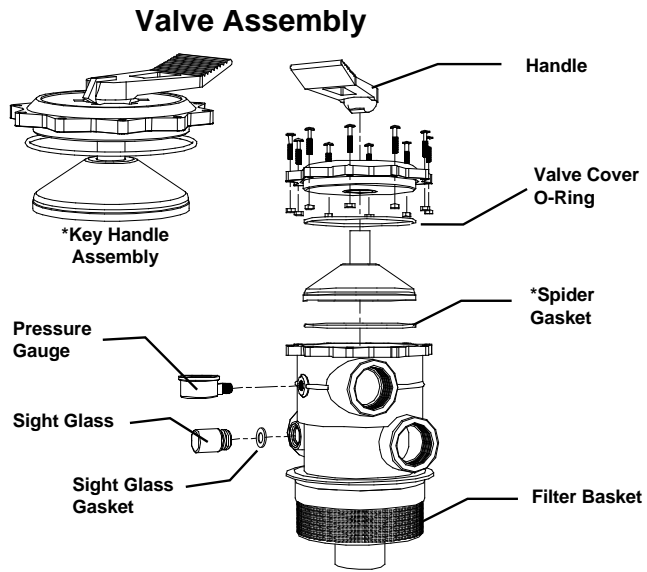
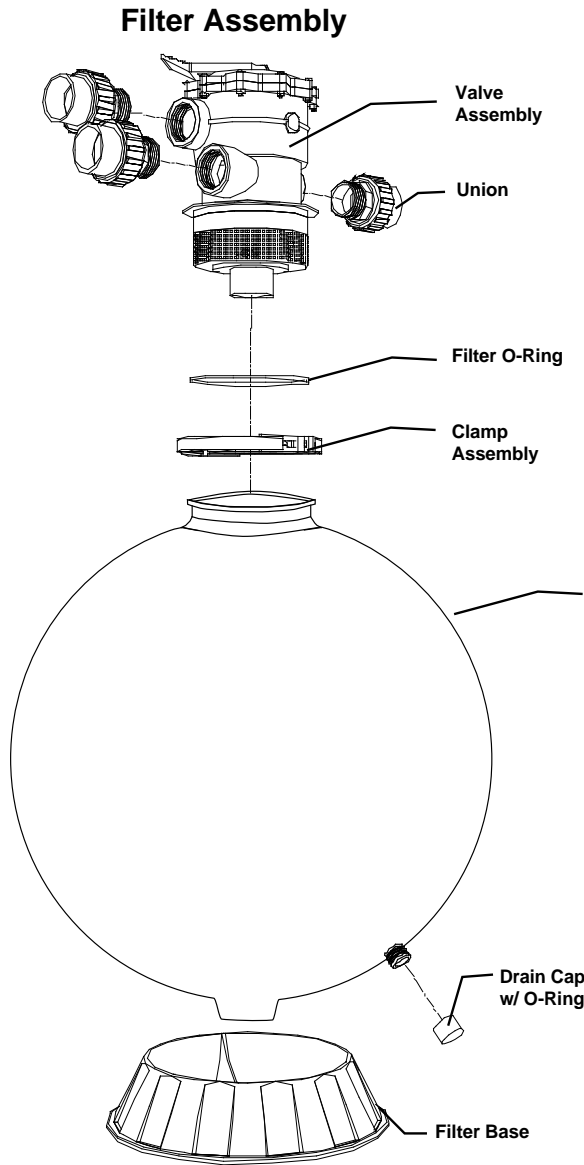
NOTE: Laterals, Valves, and Media are non saleable items, if you should experience a problem with these items contact our customer service toll free at (800) 454-2725.

*Spider Gasket comes attached on a 1-1/2" Key Handle Assembly

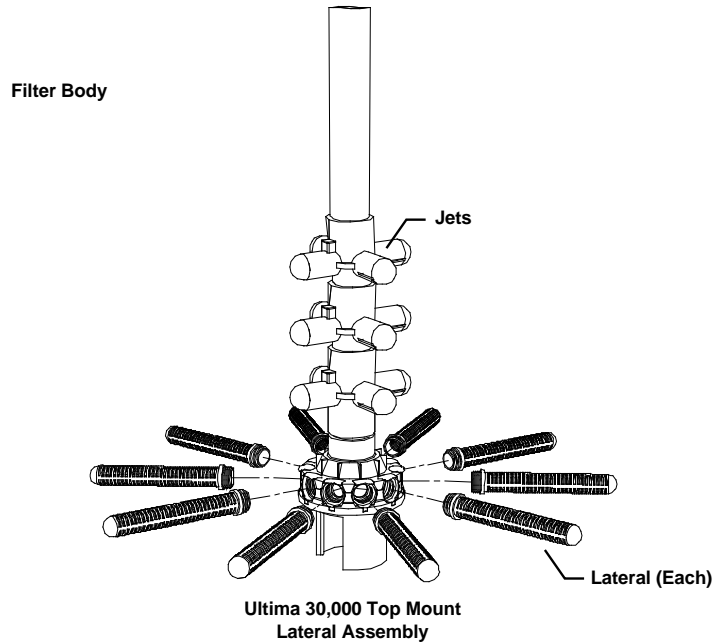
PART #	Description	PART #	Description
A50052	Filter Base For Ultima II 2000	A50061	1-1/2" Valve Key Handle Assembly
A50060	Filter Base For Ultima II 4000	A50062	2" Valve Key Handle Assembly
A50053	Filter Base For Ultima II 6000	A50063	1-1/2" Valve Cover O-Ring
A50058	Filter Base For Ultima II 10,000	A50068	2" Valve Cover O-Ring
A50054	Filter Base For Ultima II 20,000 /30,000 NS	A50024	Spider Gasket 2" Valve
A50042	Drain Cap with O-Ring, 1", Old Style	A50064	1-1/2" Handle
A50069	Drain Cap with O-Ring, 1-3/4"	A50067	2" Handle
A50109	Drain Cap with O-Ring for 1000 filter	A50057	Pressure Gauge
A50056	Clamp Assembly	A50040	Sight Glass with Gasket
A50055	Filter O-Ring	A50022	Gasket For Sight Glass
A40083	1-1/2" Filter Union	A50108	Clamp Assembly with Screws for 1000 filter
A40084	2" Filter Union		

ULTIMA II REPLACEMENT PARTS

ULTIMA II 30,000 Top Mount



Lateral Assembly

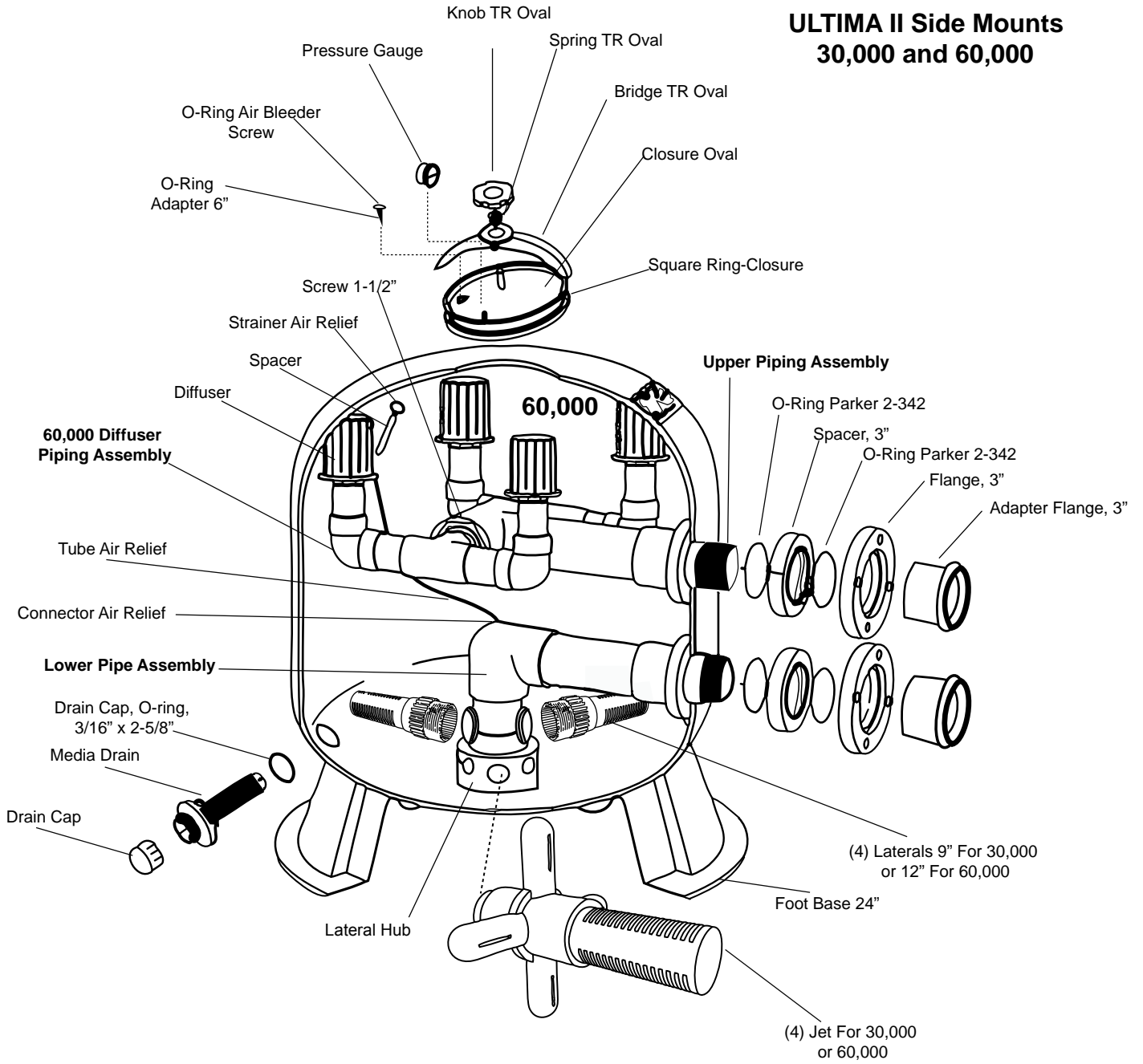


PART #	Description
A50054	Filter Base For Ultima II 20,000 / 30,000 NS
A50069	Drain Cap with O-Ring, 1-3/4"
A50056	Clamp Assembly
A50055	Filter O-Ring
A40084	2" Filter Union
A50062	2" Valve Key Handle Assembly
A50068	2" Valve Cover O-Ring
A50024	Spider Gasket 2" Valve
A50067	2" Handle
A50057	Pressure Gauge
A50040	Sight Glass with Gasket
A50022	Gasket For Sight Glass

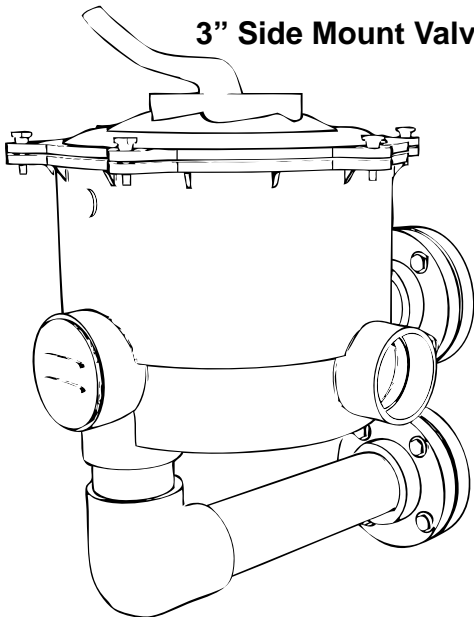
NOTE: Laterals, Valves, and Media are non saleable items, if you should experience a problem with these items contact our customer service toll free at (800) 454-2725.

ULTIMA II REPLACEMENT PARTS

ULTIMA II Side Mounts 30,000 and 60,000



3" Side Mount Valve



30,000 Diffuser Piping Assembly

