

IMPORTANT - READ BEFORE USE

POND FISH FEEDER

D Seiten 8 - 11

WICHTIG - BITTE VOR VERWENDUNG LESEN

FUTTERAUTOMAT FÜR TEICHFISCHE

F Pages 12 - 15

IMPORTANT - À LIRE AVANT USAGE

DISTRIBUTEUR AUTOMATIQUE POUR POISSONS DE BASSIN

E Páginas 16 - 19

IMPORTANTE - LEA ANTES DE USAR

COMEDERO PARA PECES DE ESTANQUE

NL Pagina's 20 - 23

BELANGRIJK! LEES DIT VOOR GEBRUIK

VISVOERAUTOMAAT

Components: (fig. 1)

- | | |
|-------------------|----------------------|
| A. Hopper lid | D. Base unit |
| B. Food hopper | E. Feeding mechanism |
| C. Feeding nozzle | F. Battery cover |

LCD Display / Buttons: (fig. 2)

- | | |
|---------------------------------|----------------------------|
| 1. 'TIME' button | 7. FREQUENT FEED indicator |
| 2. AM/PM indicators (12hr mode) | 8. Low battery indicator |
| 3. 'CLOCK' indicator | 9. '-' (MINUS)' button |
| 4. MEAL 1 indicator | 10. '+' (ADVANCE)' button |
| 5. MEAL 2 indicator | 11. Display |
| 6. MEAL 3 indicator | 12. 'FEED' button |

D**Bauteile: (Abb. 1)**

- | | |
|-------------------------|-------------------|
| A. Futterbehälterdeckel | D. Grundgerät |
| B. Futterbehälter | E. Futterförderer |
| C. Futterausgabestutzen | F. Batteriedeckel |

LCD-Display / Tasten: (Abb. 2)

- | | |
|---|--------------------------------------|
| 1. Uhrzeit-Taste (TIME) | 7. Anzeige für häufige Fütterung (F) |
| 2. AM/PM-Anzeigen (12-Stunden-Uhrzeitmodus) | 8. Niedrige Batterie-Anzeige |
| 3. Uhr-Anzeige (CLOCK) | 9. '-' (MINUS)-Taste |
| 4. Anzeige Fütterung (MEAL) 1 | 10. „+“ (VORWÄRTS)-Taste |
| 5. Anzeige Fütterung (MEAL) 2 | 11. Display |
| 6. Anzeige Fütterung (MEAL) 3 | 12. Futterverbreichungs-Taste (FEED) |

F**Composants : (fig. 1)**

- | | |
|----------------------------|------------------------------|
| A. Couverture de la trémie | D. Unité de base |
| B. Trémie pour aliments | E. Mécanisme de distribution |
| C. Buse de distribution | F. Couverture de la pile |

Écran à cristaux liquides/boutons : (fig. 2)

- | | |
|--|--|
| 1. Bouton « TIME » (HEURE) | 7. Indicateur FREQUENT FEED (ALIMENTATION FRÉQUENTE) |
| 2. Indicateur AM/PM (mode horloge 12h) | 8. Indicateur de batterie faible |
| 3. Indicateur « CLOCK » (MINUTEUR) | 9. Bouton « - » (MOINS) |
| 4. Indicateur MEAL (REPAS) 1 | 10. Bouton « + » (AVANCEMENT) |
| 5. Indicateur MEAL (REPAS) 2 | 11. Affichage |
| 6. Indicateur MEAL (REPAS) 3 | 12. 'Bouton « FEED » (ALIMENTATION) |

E**Componentes: (fig. 1)**

- | | |
|-----------------------|-------------------------|
| A. Tapa de la tolva | D. Unidad base |
| B. Tolva de pienso | E. Mecanismo de surtido |
| C. Boquilla surtidora | F. Cubierta de pilas |

Pantalla LCD / Botones: (fig. 2)

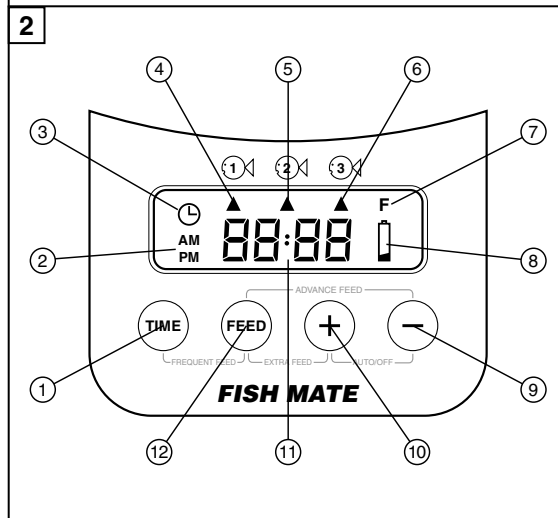
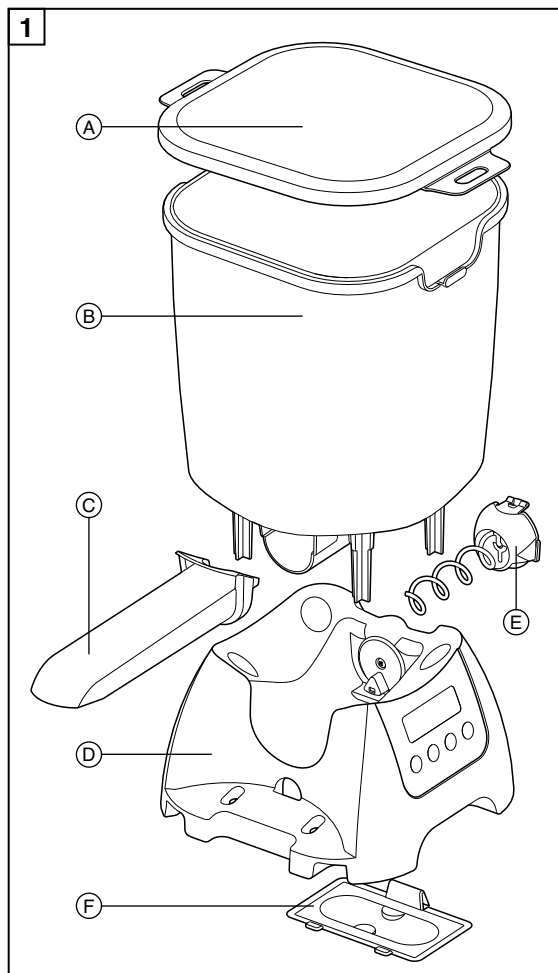
- | | |
|--|--|
| 1. Botón 'TIME' (HORA) | 7. Indicador FREQUENT FEED (SURTIDO FRECUENTE) |
| 2. Indicadores AM/PM (mañana/tarde) (modo reloj de 12 horas) | 8. Indicador de pila baja |
| 3. Indicador 'CLOCK' (RELOJ) | 9. Botón '-' (MENOS) |
| 4. Indicador MEAL (COMIDA) 1 | 10. Botón '+' (AVANCE) |
| 5. Indicador MEAL (COMIDA) 2 | 11. Pantalla |
| 6. Indicador MEAL (COMIDA) 3 | 12. Botón 'FEED' (SURTIDO) |

NL**Onderdelen: (afb. 1)**

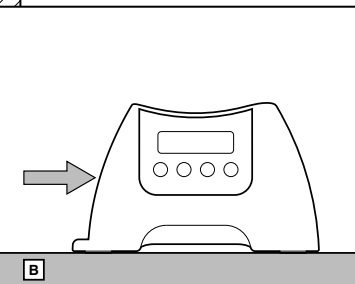
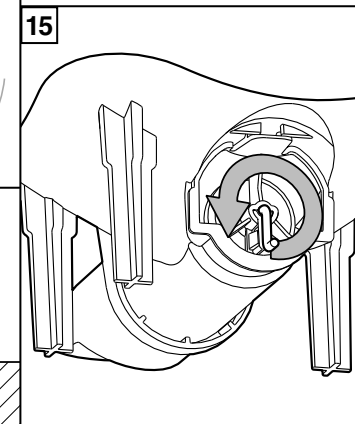
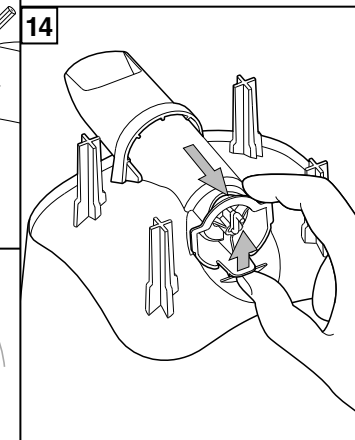
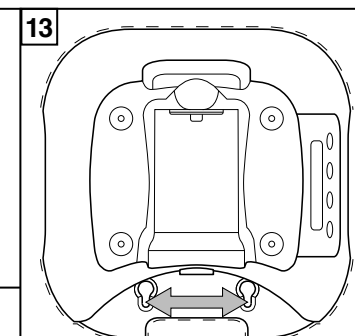
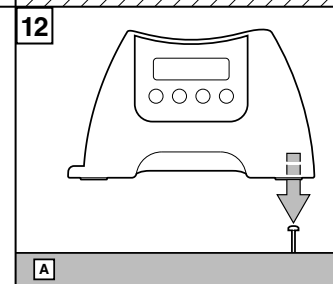
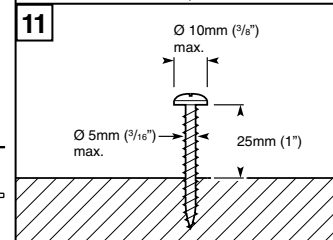
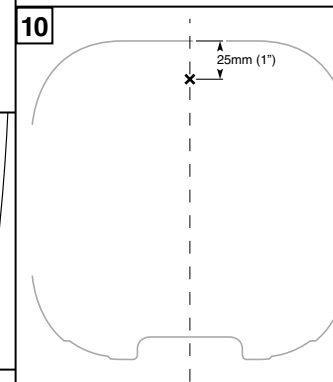
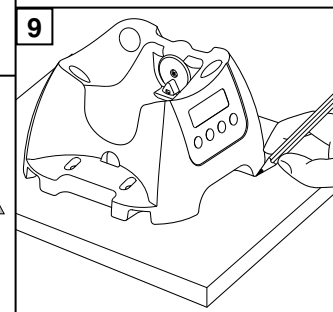
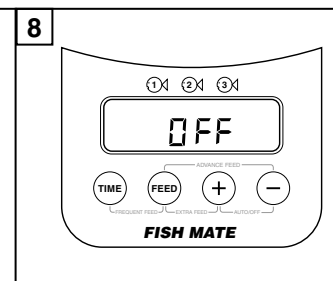
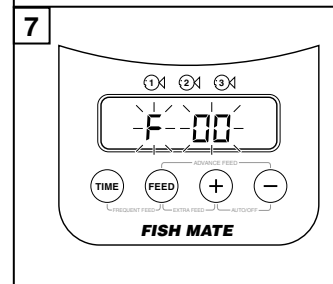
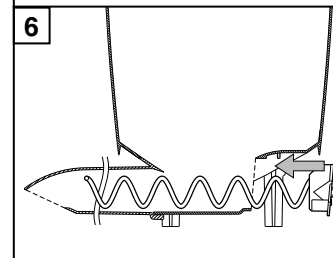
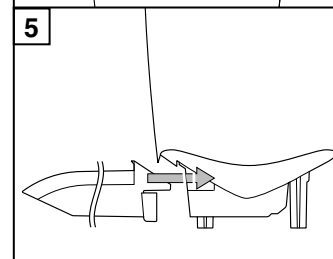
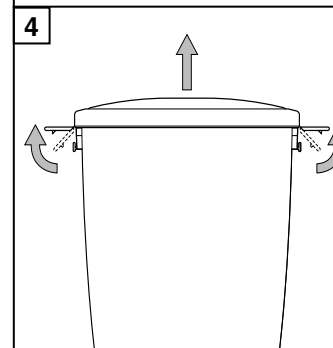
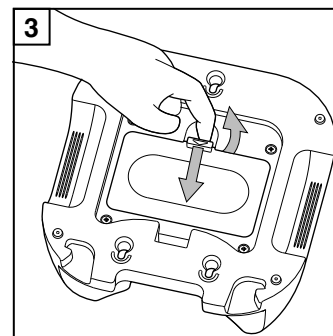
- | | |
|-----------------------|--------------------------|
| A. Deksel van voerbak | D. Onderstuk |
| B. Voerbak | E. Voermechanisme |
| C. Voertuit | F. Dekplaatje batterijen |

LCD Display / Knoppen: (afb. 2)

- | | |
|---|--|
| 1. 'TIME' (TIJD) knop | 7. Indicatielampje FREQUENT VOEREN |
| 2. AM/PM-Indicatielampje (12-uurs klok) | 8. Indicatielampje lage batterijspanning |
| 3. Indicatielampje 'CLOCK' (KLOK) | 9. '-' (MIN) knopje |
| 4. Indicatielampje MEAL (MAALTIJD) 1 | 10. '+' (PLUS) knopje |
| 5. Indicatielampje MEAL (MAALTIJD) 2 | 11. Display |
| 6. Indicatielampje MEAL (MAALTIJD) 3 | 12. 'FEED' (VOEREN) knop |



2



3

1. Introduction

Thank you for choosing the Fish Mate P7000 Pond Fish Feeder.

The Fish Mate P7000 Pond Fish Feeder allows you to program up to 3 meals over a 24 hour period with the ability to serve each meal in units of approximately 15ml (3 teaspoons). In addition, the feeder will allow you to serve meals in advance of their programmed times, as well as serve extra meals on demand. This feeder also offers a 'frequent feeding' option which will dispense a programmed meal over a longer period of time.

To ensure your chosen settings cannot easily be tampered with, the control buttons need to be pressed firmly to operate.

If you start the set-up process and wish to abandon it before completion, the operating system will 'time out' after 60 seconds and the current time will be displayed.

Your Fish Mate feeder is manufactured from top quality materials and is assembled to comply with rigorous quality standards. However, we do recommend that before use, you supervise its correct operation over a period of at least 3 days.

This feeder is designed to make a noise when serving food. The noise is an audible indication for the user that the feeder is functioning correctly.

This feeder is designed for use with dry foods with a maximum size of 16mm ($\frac{5}{8}$ ""). However, large irregular food may be suitable.

When leaving your fish for long periods, we recommend that someone periodically checks to ensure that all is well.

2. Fitting the batteries

2.1 Lift the hopper out of the base unit.

2.2 Invert the base unit and remove the battery cover by releasing the retaining clip (Fig. 3).

2.3 Insert 4 good quality alkaline 'C' batteries using the orientation symbols marked in the bottom of the battery compartment. Replace the battery cover. Good quality alkaline batteries should normally last approximately 12 months (dependent on use). You may use all popular batteries including rechargeable and 1.5v lithium batteries but the low battery indicator will only work correctly with standard alkaline batteries.

3. Setting the clock

3.1 Press and hold the 'TIME' button for 5 seconds until the hour figure on the clock starts to flash.

3.2 Press the '+' or '-' buttons to adjust the clock to the correct hour. Hold down either the '+' or '-' button for longer than 3 seconds to scroll through.

3.3 Press the 'TIME' button and the minute figure will flash. Adjust the minutes using the '+' or '-' buttons.

3.4 Press the 'TIME' button to save the setting.

3.5 To change the clock between 12 hour (AM/PM) and 24 hour formats, press and hold the 'TIME' button and within 3 seconds press the '+' button.

Wait 60 seconds for the display to stop flashing and the clock to set (Fig. 2) before proceeding to the next step.

4. Assembling the fish feeder

4.1 Open the hopper lid (Fig. 4) and remove the feeding nozzle and feeding mechanism.

4.2 Push the nozzle in to the front aperture at base of the hopper (Fig. 5). Ensure correct location with the nozzle opening turned downwards.

4.3 Carefully insert the feeding mechanism in to the rear aperture at the base of the hopper (Fig. 6) until the retaining clip clicks in to position. Fit assembled hopper to base unit.

5. Setting meal sizes

We recommend that meals are sized to feed no more than your fish will consume within a few minutes. Overfeeding your fish is both expensive and detrimental to their health. Fish may be fed once, twice or three times a day depending on requirements. Alternatively, consider setting the Frequent Feed option described in section 12.

5.1 Fill the hopper with a suitable quantity of food sticks or pellets well in excess of a daily amount. For maximum food freshness/appeal, we recommend that a maximum of 10 days food is loaded.

5.2 Place a suitably sized bowl beneath the feeding nozzle.

5.3 Fill the feeding mechanism by pressing and holding the 'FEED' button and within 3 seconds pressing and holding the '+' button until the display shows '10'. When feeding stops, press the 'TIME' button to display the clock again. Return food in bowl to hopper.

5.4 Repeat 5.3 above, this time holding both buttons until the required amount of food has been dispensed. When the desired amount of food appears in the bowl release both buttons and the feeder will complete its current feed unit. Make a note of the number of feed units displayed on the LCD. After 60 seconds the display will revert to the clock.

Set the meal sizes for each programmed meal time as follows:

5.5 Press and hold the 'FEED' button for 5 seconds. The letter 'F' next to two zeros ('00') will appear and flash on the display (Fig. 7). Press the '+' or '-' buttons to set the number of feed units noted at 5.4 for this meal setting.

5.6 Press the 'FEED' button again to set the meal sizes for 'MEAL 2' (and 'MEAL 3').

NOTE: Programming the feed units to two zeros ('00') denotes that the feed unit is set to 'off' and the meal indicator will not be displayed when this procedure is completed.

5.7 When all meal sizes are programmed, save your settings by pressing the 'FEED' button.

Once the settings are saved, the clock indicator will be shown and the programmed meal indicators will be displayed under the respective fish icons (Fig. 2). The indicator representing the next meal time due to be served will flash.

6. Reviewing meal sizes

When the clock indicator is showing you can review all your programmed meal size settings as follows:

6.1 Press the 'FEED' button - the programmed feed units set for 'MEAL 1' will display for 60 seconds.

6.2 Press the 'FEED' button again within 60 seconds to view the programmed feed units for 'MEAL 2' and again for 'MEAL 3'.

6.3 Press the 'FEED' button again to return to the clock display.

7. Setting meal times (Not required for Frequent Feeding option - go to section 12)

7.1 Press and hold the 'TIME' button for 5 seconds until the hour figure on the clock starts to flash.

7.2 Press the 'TIME' button twice - the hour figure and the 'MEAL 1' indicator will flash.

7.3 Set the meal time in the same way as setting the clock, by pressing the '+' or '-' buttons to adjust the hours, press the 'TIME' button again and adjust the minutes.

7.4 When the desired meal time is displayed press the 'TIME' button. Repeat 7.3 to set 'MEAL 2' and 'MEAL 3'.

NOTE: If only one (or two) meals per day are required, the setting for 'MEAL 2' (and 'MEAL 3') are not critical.

7.5 When all meal times are programmed, save your settings by pressing the 'TIME' button repeatedly until the clock indicator displays (after 'MEAL 3').

8. Reviewing meal times

When the clock indicator is showing you can review all your meal time settings as follows:

8.1 Press the 'TIME' button to display the programmed meal time set for 'MEAL 1'.

8.2 Press the 'TIME' button again within 60 seconds to view the programmed meal times for 'MEAL 2' and again for 'MEAL 3'.

8.3 Press the 'TIME' button again to return to the clock display.

9. Extra feed (in addition to a Set Meal)

If you would like to serve your fish additional units of food at any time, press the 'FEED' and '+' buttons together. The feeder will dispense one unit of food. To serve a number of units, keep both buttons held down and the LCD will display the total number of units dispensed. Release both buttons and the unit will complete its current feed unit. The number of units dispensed will remain displayed for 60 seconds.

10. Advance feed (serving the next Set Meal early)

If you would like to bring a programmed set meal forward, press the 'FEED' and '-' buttons together. The feeder will dispense the next programmed meal due and you may now release both buttons. Once the advanced set meal (e.g. MEAL 2) has been served the next programmed meal indicator (i.e. MEAL 3) will flash on the display and food will not be dispensed until that set time.

You may only advance meals programmed for the same day.

11. Manual feed (dispensing controlled feeds on demand)

This function allows you to serve a predetermined amount of food without programming meal times. Proceed as follows:

- 11.1 Calculate the number of feed units you would like to serve per meal (sections 5.1 to 5.4).
- 11.2 Set 'MEAL 1' with the number of feed units (sections 5.5 to 5.7). Press the 'FEED' button.
- 11.3 Whilst the 'MEAL 2' setting is flashing, press and hold the '+' and '-' buttons together for 5 seconds until 'OFF' is displayed (Fig. 8).

Each time you now press and hold the 'FEED' button for 5 seconds, the programmed 'MEAL 1' will be dispensed.

To turn the feeder back on:

- 11.4 Press and hold the '+' and '-' buttons together for 5 seconds.

The LCD will flash until clock setting is restored.

12. Frequent feed (small feeds at regular intervals)

The Frequent Feed function allows the daily feed requirements to be served over the course of a day, dispensing a single feed unit at a regular interval between a programmed start and finish time. The function is designed for fishkeepers using professional feeding methods or if you wish to regulate the speed of your fishes' food intake.

Firstly determine the total required daily feed units by following sections 5.1 to 5.4. The start/finish times and the feed units can then be programmed as follows:

- 12.1 Press and hold the 'TIME' and 'FEED' buttons together for 5 seconds until the Frequent Feed indicator ('F') appears on the LCD (Fig. 2).
- 12.2 Press and hold the 'TIME' button for 5 seconds until the hour figure on the clock starts to flash.
- 12.3 Press the 'TIME' button twice - the hour figure and the 'MEAL 1' (start time) indicator will flash.
- 12.4 Set the start time in the same way as setting the clock, by pressing the '+' or '-' buttons to adjust the hours, then pressing the 'TIME' button again to adjust the minutes.
- 12.5 Press the 'TIME' button. The 'MEAL 3' (finish time) indicator will flash. Repeat 12.4 to set the finish time.
- 12.6 Press the 'TIME' button, the letter 'F' next to two zeros ('00') will appear and flash on the display (Fig. 7). Press the '+' or '-' buttons to set the total daily feed units (see sections 5.1 to 5.4).
- 12.7 Press the 'TIME' button to save these settings.

The LCD will return to displaying the clock with the 'Frequent Feed', 'MEAL 1' and 'MEAL 3' indicators displayed.

To review, press the 'TIME' button once to view the start time and again for the finish time. Press again to view the feed units and press finally to return to the clock.

To return the feeder to standard operation, press and hold the 'TIME' and 'FEED' buttons together for 5 seconds. The 'Frequent Feed' indicator will disappear and the clock indicator will be displayed along with the meal indicators of any previously saved settings programmed.

13. Turning the feeder on and off

During prolonged periods of low water temperature when your fish do not require regular feeding, the feeder can be switched off. Once suitable water temperatures have resumed, the feeder can be turned back on again with all the programmed settings still in place.

- 13.1 Press and hold the '+' and '-' buttons together for 5 seconds until 'OFF' is displayed on the LCD (Fig. 8).

To turn the feeder back on:

- 13.2 Press and hold the '+' and '-' buttons together for 5 seconds until LCD displays the clock and the set meal indicators.

14. Changing the batteries

When the Low Battery indicator (Fig. 2.) flashes on the LCD, the batteries need replacing.

IMPORTANT:

- **To keep the clock and all the meal settings, you must remove and replace all of the batteries within 60 seconds! The low battery indicator should extinguish when the next meal is served.**
- **DO NOT press any buttons during the removal or replacement of the batteries. Doing so will reset the unit and you will need to re-programme your settings.**

15. Securing the feeder to a board

For increased stability and to prevent interference from animals, we recommend the feeder is screwed to a suitably sized weather durable board. If securing to stone or concrete, a masonry drill bit and screw fixings will be required. By the following method, the feeder is easily removed from the board without tools when required:

- 15.1 Place the base unit in the desired position on the board. With a pencil, draw around the footprint (Fig. 9).
- 15.2 Draw a centre line on the base unit outline and mark the screw position as shown in Fig. 10.
- 15.3 Select a suitable screw (Fig. 11) and screw it into the board, leaving a distance of 25mm (1") between the board and the base of the screw head to enable the feeder to be removed for battery replacement and cleaning.
- 15.4 Locate the base unit on to the screw and slide it in to the fastened position (Fig. 12).
- 15.5 Line up the base unit within the drawn outline and mark the front screw positions at the narrowest end of the screw holes (Fig. 13).
- 15.6 Remove the base unit from the board. Apply 2 further screws (as specified in 15.3) and locate the base unit back on to the board (as 15.4). If necessary, these 2 screws may be screwed down further to secure the feeder more firmly.

16. Cleaning

The hopper, hopper lid and feeding mechanism (F) are made from food-safe materials that may be washed in a dishwasher. Clean the base unit using a cloth dampened with water only - detergents and polishes may cause damage.

The feeding mechanism can be removed by releasing the retaining clip, as shown in Fig. 14.

17. Troubleshooting

17.1 Feeder Blockage

Your Fish Mate feeder has been extensively tested with a variety of dry foods but in the unlikely event that the feeder becomes jammed, the base unit is programmed with an automatic clearing function. If however the feeder is unable to clear the blockage, the whole LCD screen will flash. The blockage will need to be cleared manually, as follows:

- Lift the hopper out of the base unit.
- Rotate feeding mechanism by hand as shown in Fig. 15 until food is moving freely again.

NOTE: Before reassembling the feeder, we recommend the batteries are replaced (see section 14). Also consider the use of a different feed that may be less prone to blockage.

- Reassemble the feeder and press the 'TIME' button to stop the display flashing and resume normal operation.

17.2 Display non-responsive

In the unlikely event that the display becomes non-responsive, wait 3 minutes before attempting to press any buttons. If full function is not returned remove batteries for 5 minutes. Then replace batteries and re-programme feeder.

1. Einführung

Vielen Dank dafür, dass Sie sich für den Kauf des Fish Mate P7000 Futtermat für Teichfische entschieden haben.

Mit dem Fish Mate P7000 Futtermat für Teichfische können Sie bis zu 3 Futterverabreichungen in einem Zeitraum von 24 Stunden programmieren, wobei jede Portion nach Futtereinheiten von zirka 15 ml bemessen ausgegeben werden kann. Außerdem können damit auch Futterverabreichungen vor ihren programmierten Uhrzeiten erfolgen, und es können auf Wunsch auch zusätzliche Portionen verabreicht werden. Dieser Futtermat bietet auch eine Option für häufige Futterverabreichung, wobei eine programmierte Fütterung über einen längeren Zeitraum ausgedehnt wird.

Damit die von Ihnen gewählten Einstellungen nicht von Unbefugten leicht verstellt werden können, sind die Einstelltasten so konstruiert, dass sie fest gedrückt werden müssen.

Wenn Sie den Einrichtungsprozess starten, diesen aber vor seiner Fertigstellung abbrechen, schaltet das Betriebssystem sich nach 60 Sekunden ab, woraufhin die aktuelle Uhrzeit angezeigt wird.

Ihr Fish Mate Futtermat ist aus erstklassigen Werkstoffen hergestellt und wird unter Beachtung strengster Qualitätsanforderungen zusammengebaut. Es empfiehlt sich jedoch, vor dem tatsächlichen Gebrauch die korrekte Funktionsfähigkeit über einen Zeitraum von 3 Tagen zu überwachen.

Dieser Futtermat ist so ausgelegt, dass er bei der Futterabgabe ein Geräusch abgibt. Das Ausgabegeräusch dient als hörbare Anzeige für den Benutzer, dass das Gerät richtig funktioniert.

Der Futtermat ist zur Verwendung mit Trockenfutter mit einer maximalen Partikelgröße von 16 mm bestimmt. Futter mit größeren, unregelmäßig gestalteten Partikeln kann eventuell ebenfalls geeignet sein.

Wenn Sie Ihre Fische für einen längeren Zeitraum nicht beaufsichtigen, wird empfohlen, dass jemand von Zeit zu Zeit Nachschau hält um sicherzustellen, dass alles in Ordnung ist.

2. Einlegen der Batterien

- 2.1 Nehmen Sie den Futterbehälter vom Grundgerät ab.
- 2.2 Drehen Sie das Grundgerät um und entfernen Sie den Batteriedeckel, indem sie den Halteklipp öffnen (Abb. 3).
- 2.3 Legen Sie 4 Alkali-Mangan-Batterien guter Qualität vom Typ C ein, wobei unbedingt die Richtungssymbole unten im Batteriefach zu beachten sind. Setzen Sie den Batteriedeckel wieder auf. Qualitativ hochwertige Alkaline-Batterien halten im Normalbetrieb ungefähr 12 Monate (abhängig vom Gebrauch). Es können alle bekannten Arten von Batterien, auch wiederaufladbare Batterien und 1.5 V Lithium Batterien, verwendet werden. Allerdings sollte beachtet werden, dass der Niedrig-Batterie-Anzeiger nur bei der Verwendung von Standard Alkaline-Batterien einwandfrei funktioniert.

3. Einstellung der Uhr

- 3.1 Drücken Sie auf die Taste „TIME“ und halten Sie diese 5 Sekunden lang gedrückt, bis die Ziffern zur Einstellung der Stunden auf der Uhr zu blinken beginnt.
- 3.2 Zum Einstellen der gewünschten Stundenanzeige drücken Sie auf die Taste „+“ oder „-“. Zum schnellen Scrollen halten Sie die Taste „+“ oder „-“ länger als 3 Sekunden gedrückt.
- 3.3 Drücken Sie auf die Taste „TIME“, woraufhin die Minutenziffern zu blinken beginnen. Zum Einstellen der gewünschten Minutenanzeige drücken Sie auf die Taste „+“ oder „-“.
- 3.4 Drücken Sie auf die Taste „TIME“, womit Ihre Einstellung gespeichert wird.
- 3.5 Um die Uhrzeitangabe zwischen dem 12-Stunden-Format (AM/PM) und dem 24-Stunden-Format umzustellen, drücken Sie auf die Taste „TIME“ und halten Sie diese gedrückt, wobei Sie dann innerhalb 3 Sekunden die Taste „+“ drücken.

Warten Sie 60 Sekunden, bis das Display zu blinken aufhört und die Uhrzeit fixiert ist (Abb. 2), bevor Sie zum nächsten Schritt weitergehen.

4. Zusammensetzen des Futtermaten

- 4.1 Öffnen Sie den Futterbehälterdeckel (Abb. 4) und entfernen Sie den Futterabgabestutzen und den Futterförderer.
- 4.2 Schieben Sie den Futterabgabestutzen in die dazu bestimmte Öffnung unten am Futterbehälter ein (Abb. 5). Der Stutzen muss dazu zur Futterabgabe nach unten gerichtet sein.
- 4.3 Führen Sie den Futterförderer in die hintere Öffnung unten am Futterbehälter ein (Abb. 6), bis der Halteklipp einklinkt. Setzen Sie den nun fertig zusammengestellten Futterbehälter auf das Grundgerät auf.

5. Bestimmung von Portionengrößen

Es wird empfohlen, die Portionen so zu bemessen, dass nicht mehr Futter ausgegeben wird, als Ihre Fische innerhalb weniger Minuten fressen können. Das Überfüttern Ihrer Fische verursacht unnötige Kosten und schadet auch ihrer Gesundheit. Sie können mit diesem Gerät Ihre Fische ein, zwei oder drei Mal pro Tag füttern, je nach Ihren Anforderungen. Als Alternative kann auch die in Abschnitt 12 beschriebene Option für die häufige Fütterung eingestellt werden.

- 5.1 Füllen Sie zunächst den Futterbehälter mit so vielen Fischfutter-Sticks oder Pellets, dass damit der Tagesbedarf um Einiges überschritten wird. Damit das Futter frisch und appetitanregend bleibt, empfiehlt es sich, maximal eine Futtermenge für zehn Tage einzufüllen.

- 5.2 Stellen Sie einen Behälter von passender Größe unter den Futterabgabestutzen.
- 5.3 Beschicken Sie den Futterförderer mit Futter, indem Sie die Taste „FEED“ drücken und sie gedrückt halten, wobei Sie innerhalb 3 Sekunden die Taste „+“ drücken und gedrückt halten, bis im Display „10“ erscheint. Wenn die Futterabgabe stoppt, drücken Sie auf die Taste „TIME“, um die Uhr wieder anzuzeigen. Füllen Sie nun das Futter wieder im Futterbehälter ein.
- 5.4 Wiederholen Sie Schritt 5.3 wie oben, wobei Sie aber diesmal beide Tasten gedrückt halten, bis die gewünschte Futtermenge ausgegeben ist. Sobald die gewünschte Futtermenge im Behälter vorhanden ist, lassen Sie beide Tasten los, woraufhin der Futtermat die Ausgabe bis zur vollständigen Dosierung der zu diesem Zeitpunkt ausgegebenen Futtereinheit ausführt. Schreiben Sie sich die Zahl der im LCD-Display angezeigten Futtereinheiten auf. Nach Ablauf von 60 Sekunden wird dann im LCD-Display wieder das Uhrensymboll angezeigt.

Die Portionengrößen für jede programmierte Fütterung setzen Sie folgendermaßen fest:

- 5.5 Drücken Sie auf die Taste „FEED“ und halten Sie diese 5 Sekunden gedrückt. Es beginnt dann der Buchstabe „F“ neben den zwei Nullen („00“) im Display zu blinken (Abb. 7). Drücken Sie nun auf die Tasten „+“ oder „-“, um damit die Zahl der Futtereinheiten für diese Fütterung festzusetzen.
- 5.6 Drücken Sie erneut auf die Taste „FEED“, um damit die Portionengrößen für „MEAL 2“ (und „MEAL 3“) festzusetzen.
HINWEIS: Beim Programmieren der Futtereinheiten auf der Basis der zwei Nullen („00“) geht die Automatik davon aus, dass zu diesem Zeitpunkt die Futtereinheiten ausgeschaltet sind. Die Fütterungen werden deshalb bei der Beendigung dieses Vorgangs nicht angezeigt.
- 5.7 Nachdem Sie alle Portionengrößen programmiert haben, speichern Sie Ihre Einstellungen durch Drücken auf die Taste „FEED“.

Sobald Ihre Einstellungen gespeichert sind, erscheint das Uhrensymboll, und die programmierten Fütterungen werden unter den betreffenden Fischsymbolen angezeigt (Abb. 2). Die Anzeige für die nächstfällige Fütterung blinkt.

6. Überprüfung der Portionengrößen

Wenn das Uhrensymboll angezeigt wird, können Sie Ihre programmierten Portionengrößen folgendermaßen überprüfen:

- 6.1 Drücken Sie erneut auf die Taste „FEED“. Damit werden die programmierten Futtereinheiten für „MEAL 1“ 60 Sekunden lang angezeigt.
- 6.2 Drücken Sie innerhalb 60 Sekunden erneut auf die Taste „FEED“, um damit die programmierten Futtereinheiten für „MEAL 2“ und durch erneutes Drücken auch für „MEAL 3“ anzuzeigen.
- 6.3 Drücken Sie erneut auf „FEED“, womit das Uhrzeit-Display wieder erscheint.

7. Festsetzen der Fütterungszeiten (bei Verwendung der Option zur häufigen Fütterung nicht erforderlich - in diesem Fall gehen Sie zu Abschnitt 12 weiter)

- 7.1 Drücken Sie auf die Taste „TIME“ und halten Sie diese 5 Sekunden lang gedrückt, bis die Ziffern zur Einstellung der Stunden auf der Uhr zu blinken beginnt.
- 7.2 Drücken Sie zwei Mal auf die Taste „TIME“, woraufhin die Ziffern zur Einstellung der Stunden und die Anzeige „MEAL 1“ zu blinken beginnen.
- 7.3 Stellen Sie die Fütterungszeit auf gleiche Weise wie die Uhrzeit ein, nämlich durch Drücken auf die Tasten „+“ oder „-“ zum Festsetzen der Ziffern für die Stunden. Durch erneutes Drücken der Taste „TIME“ stellen Sie dann die Minuten ein.
- 7.4 Wenn die gewünschte Fütterungszeit angezeigt ist, drücken Sie auf die Taste „TIME“. Zum Festsetzen von „MEAL 2“ und „MEAL 3“ wiederholen Sie nun Schritt 7.3.
HINWEIS: Bei nur einer Fütterung (oder zwei Fütterungen) pro Tag sind die Einstellungen für „MEAL 2“ (und „MEAL 3“) nicht kritisch.
- 7.5 Nachdem Sie alle Fütterungszeiten programmiert haben, speichern Sie Ihre Einstellungen durch wiederholtes Drücken auf die Taste „TIME“, bis das Uhrensymboll wieder angezeigt wird (nach „MEAL 3“).

8. Überprüfung der Fütterungszeiten

Wenn das Uhrensymboll angezeigt wird, können Sie alle Ihre programmierten Fütterungszeiten folgendermaßen überprüfen:

- 8.1 Drücken Sie erneut auf die Taste „TIME“, um damit die programmierte Fütterungszeit für „MEAL 1“ anzuzeigen.
- 8.2 Drücken Sie innerhalb 60 Sekunden erneut auf die Taste „TIME“, um damit die programmierten Fütterungszeit für „MEAL 2“ und durch erneutes Drücken auch für „MEAL 3“ anzuzeigen.
- 8.3 Drücken Sie erneut auf „TIME“, womit das Uhrzeit-Display wieder erscheint.

9. Zusätzliche Fütterung (zusätzlich zu eingestellten Fütterungen)

Wenn Sie zu einer beliebigen Zeit Ihren Fischen zusätzliche Futtereinheiten verabreichen möchten, dann drücken Sie gleichzeitig auf die Tasten „FEED“ und „+“. Der Futtermat gibt daraufhin eine Futtereinheit aus. Um auf diese Weise mehrere Futtereinheiten auszugeben, halten Sie beide Tasten gedrückt, woraufhin im LCD-Display die Gesamtzahl der ausgegebenen Futtereinheiten angezeigt wird. Sobald Sie nun beide Tasten loslassen, wird die Ausgabe bis zur vollständigen Dosierung der zu diesem Zeitpunkt ausgegebenen Futtereinheit ausgeführt. Die Zahl der ausgegebenen Futtereinheiten wird nun 60 Sekunden lang angezeigt.

10. Vorgezogene Fütterung (vorzeitige Ausgabe der nächsten eingestellten Fütterung)

Wenn Sie eine programmierte Fütterung vorzeitig ausführen möchten, dann drücken Sie gleichzeitig auf die Tasten „FEED“ und „-“. Der Futterautomat gibt daraufhin die nächste programmierte Portion aus, und Sie können nun beide Tasten wieder los lassen. Nachdem die eingestellte Fütterung (z. B. „MEAL 2“) vorzeitig vorgenommen wurde, beginnt die nächste programmierte Fütterungsanzeige (also „MEAL 3“) zu blinken. Die nächste Portion wird dann zur nächsten eingestellten Fütterungszeit ausgegeben werden.

Sie können nur für denselben Tag programmierte Fütterungen vorzeitig ausführen.

11. Manuelle Fütterung (Ausgabe von vorbestimmten Portionen auf Anforderung)

Mit dieser Funktion können Sie vorbestimmte Portionen ohne Programmierung von Fütterungszeiten verabreichen. Dazu gehen Sie folgendermaßen vor:

- 11.1 Bestimmen Sie die Zahl der Futtereinheiten, die Sie pro Fütterung verabreichen möchten (Abschnitten 5.1 bis 5.4).
- 11.2 Stellen Sie für „MEAL 1“ die Zahl der Futtereinheiten ein (Abschnitten 5.5 bis 5.7). Drücken Sie auf die Taste „FEED“.
- 11.3 Während „MEAL 2“ blinkt, drücken Sie gleichzeitig auf die Tasten „+“ und „-“ und halten Sie diese 5 Sekunden lang gedrückt, bis „OFF“ angezeigt wird (Abb. 8).

Jedes Mal, wenn Sie nun die Taste „FEED“ drücken und 5 Sekunden lang gedrückt halten, wird nun wie programmiert „MEAL 1“ ausgegeben.

Zum Wiedereinschalten des Futterautomaten:

- 11.4 Drücken Sie gleichzeitig auf die Tasten „+“ und „-“, und halten Sie diese 5 Sekunden gedrückt.

Die LCD-Anzeige blinkt nun, bis die Uhrzeit wieder eingestellt ist.

12. Häufige Fütterung (Ausgabe kleiner Portionen zu regelmäßigen Intervallen)

Die Funktion für häufige Fütterung („F“) ermöglicht die Ausgabe der täglichen Futtereinheiten im Verlauf eines Tages. Dabei wird zwischen einer programmierten Start- und Endzeit zu regelmäßigen Intervallen jeweils eine einzige Futtereinheit ausgegeben. Diese Funktion ist besonders für Fischhalter konzipiert, die professionelle Fütterungsmethoden anwenden, oder wenn Sie die zeitliche Abfolge der Futteraufnahme Ihrer Fische steuern möchten.

Zunächst müssen Sie die tägliche Gesamtmenge der benötigten Futtereinheiten bestimmen, indem Sie die in den Abschnitten 5.1 bis 5.4 beschriebenen Schritte ausführen. Die Start- und Endzeiten und die Futtereinheiten programmieren Sie folgendermaßen:

- 12.1 Drücken Sie gleichzeitig auf die Tasten „TIME“ und „FEED“, und halten Sie diese 5 Sekunden lang gedrückt, bis die Anzeige für die häufige Fütterung („F“) im LCD-Display erscheint (Abb. 2).
- 12.2 Drücken Sie auf die Taste „TIME“ und halten Sie diese 5 Sekunden lang gedrückt, bis die Ziffern zur Einstellung der Stunden auf der Uhr zu blinken beginnen.
- 12.3 Drücken Sie zwei Mal auf die Taste „TIME“, woraufhin die Ziffern zur Einstellung der Stunden und die Startzeit für „MEAL 1“ zu blinken beginnen.
- 12.4 Stellen Sie die Startzeit auf die gleiche Weise wie die Uhrzeit ein, nämlich durch Drücken auf die Tasten „+“ oder „-“ zum Festsetzen der Ziffern für die Stunden. Durch erneutes Drücken der Taste „TIME“ stellen Sie dann die Minuten ein.
- 12.5 Drücken Sie auf die Taste „TIME“. Die Endzeit-Anzeige für „MEAL 3“ beginnt nun zu blinken. Zum Einstellen der Endzeit wiederholen Sie nun Schritt 12.4.
- 12.6 Nun drücken Sie auf die Taste „TIME“. Es beginnt dann der Buchstabe „F“ neben den zwei Nullen („00“) im Display zu blinken (Abb. 7). Drücken Sie nun auf die Tasten „+“ oder „-“, um damit die Gesamtzahl der täglichen Futtereinheiten festzusetzen (siehe Abschnitten 5.1 bis 5.4).
- 12.7 Drücken Sie auf die Taste „TIME“, womit diese Einstellungen gespeichert werden.

Im LCD-Display erscheint nun wieder das Uhrensymbol, wobei auch „F“ für häufige Fütterung, „MEAL 1“ und „MEAL 3“ angezeigt werden.

Zur Überprüfung drücken Sie ein Mal auf die Taste „TIME“ zur Anzeige der Startzeit und noch ein Mal zur Anzeige der Endzeit. Zur Anzeige der Futtereinheiten drücken Sie erneut, und dann noch ein weiteres Mal, um zur Uhr zurückzukehren.

Um den Futterautomaten wieder auf den Standardbetrieb zurückzusetzen, drücken Sie gleichzeitig auf die Tasten „TIME“ und „FEED“ und halten diese 5 Sekunden lang gedrückt. Die Anzeige für „F“ für häufige Fütterung verschwindet dann. Es wird nun das Uhrensymbol zusammen mit den Fütterungsanzeigen von früher programmierten und gespeicherten Einstellungen angezeigt.

13. Abschalten des Futterautomaten

Im Verlauf längerer Zeiträume mit niedrigen Wassertemperaturen, wenn Ihre Fische nicht regelmäßig gefüttert werden müssen, kann der Futterautomat abgeschaltet werden. Nach Wiederreichung der entsprechenden Wassertemperatur kann der Futterautomat wieder eingeschaltet werden, wobei alle programmierten Einstellungen beibehalten werden.

- 13.1 Drücken Sie gleichzeitig auf die Tasten „+“ und „-“, und halten Sie diese 5 Sekunden lang gedrückt, bis die Anzeige „OFF“ (AUS) im LCD-Display erscheint (Abb. 8).

Zum Wiedereinschalten des Futterautomaten:

- 13.2 Drücken Sie gleichzeitig auf die Tasten „+“ und „-“, und halten Sie diese 5 Sekunden lang gedrückt, bis das Uhrensymbol und die Anzeige für die eingestellten Fütterungen im LCD-Display erscheinen.

14. Auswechseln der Batterien

Wenn die Anzeige für niedrigen Batterieladezustand (Abb. 2.) im LCD-Display blinkt, müssen die Batterien ausgetauscht werden.

WICHTIG:

- **Damit die eingestellte Uhrzeit und alle Fütterungszeiten beibehalten werden, müssen alle Batterien innerhalb eines Zeitraums von 60 Sekunden ausgetauscht werden! Die Anzeige für niedrigen Batterieladezustand sollte erlöschen wenn die nächste Fütterung erfolgt.**
- **Drücken Sie während des Herausnehmens und des Einlegens neuer Batterien auf KEINERLEI Tasten. Damit würde nämlich der Futterautomat zurückgesetzt werden, wodurch dann alle Einstellungen neuerlich programmiert werden müssten.**

15. Befestigung des Futterautomaten auf einem Brett

Zur erhöhten Stabilität und um durch Tiere verursachtes Verschieben oder Umwerfen des Geräts zu vermeiden, empfiehlt es sich, das Gerät auf einem wetterfesten Holzbrett von entsprechender Größe festzuschrauben. Bei Befestigung auf einer Stein- oder Betonunterlage ist die Verwendung eines Mauerbohrers und entsprechender Dübel erforderlich. Wenn Sie der beschriebenen Vorgangsweise folgen, kann der Futterautomat bei Bedarf auch ohne Verwendung von Werkzeugen vom Brett abgenommen werden:

- 15.1 Platzieren Sie das Grundgerät in der gewünschten Position auf dem Brett. Markieren Sie den Umriss mit einem Bleistift auf dem Brett (Abb. 9).
- 15.2 Ziehen Sie eine Mittellinie durch den Umriss und markieren Sie die Position für die Halteschraube, wie in Abb. 10 gezeigt.
- 15.3 Schrauben Sie eine Schraube passender Größe (Abb. 11) in das Brett, wobei zwischen dem Brett und dem unteren Rand des Schraubenkopfes ein Abstand von 25 mm belassen wird. Damit kann dann der Futterautomat zum Austauschen der Batterien und zur Reinigung problemlos abgenommen werden.
- 15.4 Bringen Sie das Grundgerät zur Schraube heran und schieben Sie es in die Befestigungsposition (Abb. 12).
- 15.5 Richten Sie das Grundgerät nach der eingezeichneten Umrisslinie aus, und markieren Sie die vorderen Schraubenpositionen am engsten Ende der Schraubenlöcher (Abb. 13).
- 15.6 Nehmen Sie das Grundgerät wieder vom Brett ab. Schrauben Sie zwei weitere Schrauben (siehe 15.3) ein, und bringen Sie das Grundgerät wieder auf dem Brett an (siehe 15.4). Falls erforderlich, können diese zwei Schrauben zur besseren Befestigung stärker angezogen werden.

16. Reinigung

Der Futterbehälter, der Futternapf und der Futterförderer (F) sind aus lebensmittelechten Werkstoffen hergestellt und können in einer Geschirrspülmaschine gewaschen werden. Das Grundgerät soll nur mit einem mit Wasser befeuchteten Tuch gereinigt werden, da Reinigungs- und Poliermittel Schäden verursachen können.

Der Futterförderer kann durch Öffnen des Halteklipps entfernt werden, wie in Abb. 14 gezeigt.

17. Fehlersuche

- 17.1 Bei Verstopfung des Futterautomaten

Ihr Fish Mate Futterautomat wurde mit verschiedenen Arten von Sticks und Pellets eingehend getestet. Im unwahrscheinlichen Fall, dass dennoch im Futterautomat eine Verstopfung eintreten sollte, ist das Grundgerät so programmiert, dass eine automatische Entstopfungsfunktion ausgelöst wird. Wenn jedoch mit dieser Funktion die Verstopfung nicht behoben werden sollte, beginnt das gesamte LCD-Display zu blinken. In diesem Fall muss dann die Verstopfung manuell beseitigt werden, und zwar wie folgt:

- Nehmen Sie den Futterbehälter vom Grundgerät ab.
- Drehen Sie den Futterförderer mit der Hand, wie in Abb. 15 gezeigt, bis das Futter wieder ungehindert durchgehen kann.

HINWEIS: Bevor der Futterautomat wieder zusammengestellt wird, empfiehlt es sich, die Batterien auszutauschen (siehe Abschnitt 14). Außerdem sollte in diesem Fall die Verwendung eines anderen Futters erwogen werden, das weniger für Verstopfen anfällig ist.

- Stellen Sie den Futterautomaten erneut zusammen und drücken Sie auf die Taste „TIME“, um damit das Blinken des Displays abzustellen und den normalen Betrieb des Geräts wieder aufzunehmen.

- 17.2 Bei Nicht-Ansprechen des Displays

Im unwahrscheinlichen Fall, dass das Display nicht ansprechen sollte, warten Sie 3 Minuten, bevor Sie erneut wieder auf irgendeine Taste drücken. Wenn damit die volle Funktion nicht wiederhergestellt werden sollte, nehmen Sie die Batterien 5 Minuten lang heraus. Dann setzen Sie die Batterien wieder ein und programmieren den Futterautomaten erneut.

1. Introduction

Nous vous remercions d'avoir choisi le distributeur automatique pour poissons de bassin Fish Mate P7000.

Le distributeur automatique pour poissons de bassin Fish Mate P7000 vous permet de programmer jusqu'à 3 repas sur une période de 24 heures, avec la possibilité de servir les repas dans des unités d'environ 15ml. Le nourrisseur vous permet également de servir les repas avant l'heure programmée, ainsi que de servir des repas supplémentaires à la demande. Ce nourrisseur offre également une option « alimentation fréquente » (FREQUENT FEEDING), qui distribuera un repas programmé sur une période plus longue.

Afin d'éviter que vos réglages ne soient facilement modifiés, nous avons conçu les touches de commandes de sorte qu'elles nécessitent une pression ferme pour fonctionner.

Si vous démarrez le processus de configuration et l'abandonnez avant la fin, le système d'exploitation reviendra à l'heure courante après 60 secondes.

Votre nourrisseur Fish Mate est fabriqué dans des matériaux de qualité supérieure et assemblé en conformité avec les normes de qualité les plus rigoureuses. Cependant, nous vous recommandons, avant de l'utilisation, de vous assurer de son bon fonctionnement sur une période d'au moins 3 jours.

Ce nourrisseur est conçu pour faire du bruit lorsqu'il sert de la nourriture. Le bruit est une indication audible pour l'utilisateur que le nourrisseur fonctionne correctement.

Le nourrisseur est conçu pour être utilisé avec les aliments secs d'une taille maximale de 16 mm. Il se peut toutefois que les aliments de grande taille et de forme irrégulière conviennent également.

Si vous laissez vos poissons pendant de longues périodes, nous recommandons que quelqu'un vérifie le nourrisseur de temps à autre pour s'assurer que tout se passe bien.

2. Installation des piles

- 2.1 Soulevez la trémie de l'unité de base.
- 2.2 Inversez l'unité de base et retirez le couvercle des piles en relâchant le clip de fixation (fig. 3).
- 2.3 Insérez 4 piles alcalines de type C de bonne qualité en respectant les symboles de polarité marqués au fond du logement des piles. Remettez le couvercle des piles en place. Les piles alcalines de bonne qualité devraient durer environ 12 mois (selon l'usage). Possibilité d'utiliser tout type de piles, qu'elles soient rechargeables ou au lithium de type 1.5v mais l'indicateur de batterie faible ne fonctionnera correctement qu'en cas d'utilisation de piles alcalines classiques.

3. Réglez l'horloge

- 3.1 Maintenez le bouton « TIME » enfoncé pendant 5 secondes jusqu'à ce que le chiffre des heures commence à clignoter.
- 3.2 Appuyez sur le bouton « + » ou « - » pour régler l'horloge sur l'heure correcte. Maintenez le bouton « + » ou « - » enfoncé pendant plus de 3 secondes pour faire défiler les chiffres.
- 3.3 Appuyez sur le bouton « TIME » et les chiffres des minutes clignoteront. Réglez les minutes en utilisant les boutons « + » ou « - ».
- 3.4 Appuyez sur la touche « TIME » pour sauvegarder le réglage.
- 3.5 Pour permuter entre le format 12 heures (AM/PM) et 24 heures, maintenez le bouton « TIME » enfoncé et appuyez sur le bouton « + » dans les 3 secondes.

Patiencez 60 secondes pour que l'affichage cesse de clignoter et que l'horloge soit réglée (fig. 2) avant de passer à l'étape suivante.

4. Assemblage du nourrisseur pour poissons

- 4.1 Ouvrez le couvercle de la trémie (fig. 4) et retirez la buse et le mécanisme de distribution.
- 4.2 Poussez la buse dans l'ouverture frontale à la base de la trémie (fig. 5). Veillez à ce qu'elle soit correctement positionnée, ouverture tournée vers le bas.
- 4.3 Insérez délicatement le mécanisme de distribution dans l'ouverture arrière à la base de la trémie (fig. 6) jusqu'à ce que le clip de rétention se clique en place. Remontez la trémie sur l'unité de base.

5. Déterminer la taille des repas

Nous recommandons que les repas soit d'une taille qui n'excède pas ce que vos poissons peuvent consommer en quelques minutes. Une suralimentation de vos poissons serait à la fois coûteuse et préjudiciable à leur santé. Les poissons peuvent être nourris une, deux ou trois fois par jour selon les besoins. On peut également envisager d'utiliser l'option d'alimentation fréquente décrite à la section 12.

- 5.1 Remplissez la trémie avec une quantité appropriée de bâtonnets/paillettes ou de boulettes bien au-delà d'un montant journalier. Pour conserver la fraîcheur et l'attractivité optimale des aliments, nous vous recommandons de ne pas charger plus de 10 jours de nourriture.

- 5.2 Placez un bol de taille adéquate sous la buse d'alimentation.

- 5.3 Remplissez le mécanisme d'alimentation en appuyant et maintenant enfoncé sur le bouton « FEED » et, dans les 3 secondes, maintenez le bouton « + » enfoncé jusqu'à ce que l'écran affiche « 10 ». Quand la distribution de nourriture s'arrête, appuyez sur la touche « TIME » pour afficher à nouveau l'horloge. Remettez dans la trémie la nourriture qui reste dans le bol.

- 5.4 Répétez 5.3 ci-dessus, cette fois en tenant les deux boutons jusqu'à ce que la dose requise ait été distribuée. Lorsque la quantité de nourriture désirée apparaît dans le bol, relâchez les deux boutons et le nourrisseur terminera son unité d'alimentation en cours. Notez le nombre d'unités d'alimentation affiché à l'écran. L'affichage reviendra à l'horloge après 60 secondes.

Définissez la taille de chaque repas programmé comme suit:

- 5.5 Maintenez le bouton « FEED » enfoncé pendant 5 secondes. La lettre « F » accompagnée de deux zéros (« 00 ») s'affichera et clignotera à l'écran (fig. 7). Appuyez sur les boutons « + » ou « - » pour définir le nombre d'unités d'alimentation pour cette configuration de repas.

- 5.6 Appuyez à nouveau sur le bouton « FEED » pour définir la taille du repas pour « MEAL 2 » (et « MEAL 3 »).
REMARQUE : la programmation des unités d'alimentation sur deux zéros (« 00 ») indique que l'unité d'alimentation est réglée sur « OFF » (ARRÊT) et l'indicateur de repas ne s'affichera pas à la fin de cette procédure.

- 5.7 Une fois toutes les tailles de repas programmées, enregistrez vos réglages en appuyant sur le bouton « FEED ».

Une fois les réglages enregistrés, l'indicateur de l'horloge s'affichera et les indicateurs de repas programmés s'afficheront sous les icônes respectives des poissons (fig. 2). L'indicateur qui représente l'heure du prochain repas clignotera.

6. Révision de la taille des repas

Lorsque l'indicateur de l'horloge est affiché, vous pouvez réviser toutes les doses de repas programmées comme suit :

- 6.1 Appuyez sur le bouton « FEED » - les unités d'alimentation programmées pour « MEAL 1 » s'afficheront pendant 60 secondes.
- 6.2 Appuyez à nouveau sur le bouton « FEED » dans les 60 secondes pour afficher les unités d'alimentation programmées pour « MEAL 2 » et à nouveau pour « MEAL 3 ».
- 6.3 Appuyez à nouveau sur la touche « FEED » pour afficher l'horloge.

7. Réglage des heures des repas (non nécessaire pour l'option « Frequent Feeding » alimentation fréquente - passez directement à la section 12)

- 7.1 Maintenez le bouton « TIME » enfoncé pendant 5 secondes jusqu'à ce que le chiffre des heures commence à clignoter.
- 7.2 Appuyez deux fois sur le bouton « TIME » - le chiffre des heures et l'indicateur « MEAL 1 » clignoteront.
- 7.3 Fixez l'heure du repas de la même manière que pour le réglage de l'horloge, en appuyant sur le « + » ou le « - » pour régler les heures, puis appuyez à nouveau sur le bouton « TIME » pour régler les minutes.
- 7.4 Lorsque l'heure du repas désiré s'affiche, appuyez sur le bouton « TIME ». Répétez 7.3 pour régler « MEAL 2 » et « MEAL 3 ».
REMARQUE : si un seul (ou deux) repas par jour sont requis, le réglage de « MEAL 2 » (et « MEAL 3 ») n'est pas critique.
- 7.5 Une fois toutes les heures de repas programmées, enregistrez vos réglages en appuyant sur le bouton « TIME » jusqu'à ce que l'indicateur de l'horloge s'affiche (après « MEAL 3 »).

8. Révision de l'heure des repas

Lorsque l'indicateur de l'horloge est affiché, vous pouvez réviser toutes les heures de repas programmées comme suit :

- 8.1 Appuyez sur le bouton « TIME » pour afficher l'heure des repas programmées pour « MEAL 1 ».
- 8.2 Appuyez à nouveau sur le bouton « TIME » dans les 60 secondes pour afficher les heures des repas programmées pour « MEAL 2 » et à nouveau pour « MEAL 3 ».
- 8.3 Appuyez à nouveau sur la touche « TIME » pour afficher l'horloge.

9. Aliments supplémentaires (en complément d'un repas fixe)

Si vous voulez servir à vos poissons une dose additionnelle de nourriture à n'importe quel moment, appuyez en même temps sur les touches « FEED » et « + ». Le nourrisseur distribuera une unité de nourriture. Pour servir un nombre donné d'unités, maintenez les deux boutons enfoncés et l'écran affichera le nombre total d'unités distribuées. Relâchez les deux boutons et l'unité terminera son unité d'alimentation en cours. Le nombre d'unités distribuées restera affiché pendant 60 secondes.

10. Distribution avancée (servir le prochain repas plus tôt que prévu)

Si vous souhaitez faire avancer un menu programmé, appuyez sur les touches « FEED » et « - » en même temps. Le nourrisseur distribuera le repas programmé suivant et vous pourrez relâcher les deux boutons. Une fois le repas (par exemple « MEAL 2 ») servi à l'avance, l'indicateur du prochain repas programmé (par exemple « MEAL 3 ») se mettra à clignoter sur l'écran, et la nourriture ne sera pas distribuée avant l'heure fixée.

Vous ne pouvez avancer que les repas programmés pour le jour même.

11. Alimentation manuelle (distribution de doses contrôlées à la demande)

Cette fonction vous permet de servir une quantité prédéterminée de nourriture sans programmer de repas. Veuillez procéder comme suit :

- 11.1 Calculez le nombre d'unités d'alimentation que vous voulez servir par repas (sections 5.1 à 5.4).
- 11.2 Réglez « MEAL 1 » sur le nombre d'unités d'alimentation (sections 5.5 à 5.7). Appuyez sur le bouton « FEED ».
- 11.3 Lorsque le réglage « MEAL 2 » clignote, maintenez les touches « + » et « - » enfoncées simultanément pendant 5 secondes jusqu'à ce que la mention « OFF » s'affiche (fig. 8).

Chaque fois que vous maintenez le bouton « FEED » enfoncé pendant 5 secondes, le repas « MEAL 1 » est distribué.

Réactivation du nourrisseur :

- 11.4 Maintenez les touches « + » et « - » enfoncées simultanément pendant 5 secondes.

L'écran clignotera jusqu'à ce que réglage de l'horloge soit rétabli.

12. Alimentation fréquente (petites doses à intervalles réguliers)

La fonction Alimentation fréquente permet de satisfaire les besoins d'alimentation quotidiens tout au long d'une journée, en distribuant une unité d'alimentation selon un intervalle régulier entre une heure de début et une heure de fin programmées. La fonction est conçue pour les aquariophiles qui emploient des méthodes d'alimentation professionnelles, ou si vous souhaitez réguler la vitesse de consommation de nourriture par vos poissons.

Commencez par déterminer les unités d'alimentation totales requises tous les jours en suivant les sections 5.1 à 5.4. Les heures de début et de fin et les unités d'alimentation peuvent être programmées comme suit :

- 12.1 Maintenez les boutons « TIME » et « FEED » enfoncés simultanément pendant 5 secondes jusqu'à ce que l'indicateur d'alimentation fréquente (« F ») apparaisse sur l'écran (fig. 2).
- 12.2 Maintenez le bouton « TIME » enfoncé pendant 5 secondes jusqu'à ce que le chiffre des heures commence à clignoter.
- 12.3 Appuyez deux fois sur le bouton « TIME » - le chiffre des heures et l'indicateur « MEAL 1 » clignoteront.
- 12.4 Fixez l'heure de commencement de la même manière que pour le réglage de l'horloge, en appuyant sur le « + » ou le « - » pour régler les heures, puis en appuyant à nouveau sur le bouton « TIME » pour régler les minutes.
- 12.5 Appuyez sur le bouton « TIME ». L'indicateur « MEAL 3 » (heure de fin) clignotera. Répétez 12.4 pour régler l'heure de fin.
- 12.6 Appuyez sur le bouton « TIME », la lettre « F » accompagnée de deux zéros (« 00 ») s'affichera et clignotera à l'écran (Fig. 8). Appuyez sur les boutons « + » ou « - » pour régler les unités d'alimentation quotidienne totales (sections 5.1 à 5.4).
- 12.7 Appuyez sur le bouton « TIME » pour sauvegarder le réglage.

L'écran reviendra à l'affichage de l'horloge avec les indicateurs « Frequent Feed », « MEAL 1 » et « MEAL 3 » affichés.

Pour vérifier, appuyez sur la touche « TIME » une fois pour afficher l'heure de début et deux fois pour l'heure de fin. Appuyez à nouveau pour afficher les unités d'alimentation et appuyez une dernière fois pour revenir à l'horloge.

Pour ramener le nourrisseur au mode de fonctionnement standard, maintenez les boutons « TIME » et « FEED » enfoncés simultanément pendant 5 secondes. L'indicateur « Frequent Feed » disparaîtra et l'indicateur de l'horloge s'affichera avec les indicateurs de repas pour tous les réglages précédemment programmés.

13. Arrêt du nourrisseur

Durant les longues périodes où la température de l'eau est basse et où les poissons ne nécessitent pas une alimentation régulière, il est possible d'éteindre le nourrisseur. Une fois qu'une température convenable est à nouveau atteinte, il est possible de rallumer le nourrisseur avec tous les réglages programmés encore en place.

- 13.1 Maintenez les boutons « + » et « - » enfoncés simultanément pendant 5 secondes jusqu'à ce que la mention « OFF » apparaisse sur l'écran (fig. 8).

Réactivation du nourrisseur :

- 13.2 Maintenez les boutons « + » et « - » enfoncés simultanément pendant 5 secondes jusqu'à ce que l'écran affiche les indicateurs de l'horloge et des repas programmés.

14. Changement des piles

Lorsque l'indicateur de pile faible (fig. 2) clignote à l'écran, cela signifie qu'il est temps de changer les piles.

IMPORTANT:

- **Pour conserver les réglages de l'horloge et de tous les repas, vous devez remplacer toutes les piles en moins de 60 secondes ! L'indicateur de pile faible disparaîtra quand le prochain repas sera servi.**
- **N'appuyez sur AUCUN bouton pendant le remplacement des piles. Cela aurait pour effet de réinitialiser l'appareil et vous auriez besoin de reprogrammer tous vos réglages.**

15. Fixation sécurisée du nourrisseur à une planche

Pour une stabilité accrue et pour éviter les interférences provenant des animaux, nous recommandons que le nourrisseur soit vissé à une planche étanche de taille convenable. Pour toute fixation dans la pierre ou le béton, il sera nécessaire d'employer une mèche à béton et des chevilles. La méthode suivante permet de facilement retirer le nourrisseur de la planche sans outil en cas de besoin :

- 15.1 Placez l'unité de base dans la position désirée sur la planche. Tracez le contour avec un crayon (fig. 9).
- 15.2 Dessinez une ligne médiane sur le contour de l'unité de base et marquez la position de la vis comme indiqué à la fig. 10.
- 15.3 Sélectionnez une vis adéquate (fig. 11) et vissez-la dans la planche, en laissant une distance de 25 mm entre la planche et la base de la tête de la vis pour permettre le retrait du nourrisseur pour le nettoyage et le remplacement des piles.
- 15.4 Positionnez l'unité de base sur la vis et faites-la glisser en position fixée (fig. 12).
- 15.5 Alignez l'unité de base sur le contour dessiné et marquez les positions des vis de devant à l'extrémité la plus étroite des trous des vis (fig. 13).
- 15.6 Retirez l'unité de base de la planche. Appliquez 2 vis supplémentaires (comme spécifié en 16.3) et remplacez l'unité de base sur la planche (comme en 15.4). Si nécessaire, ces 2 vis peuvent être encore resserrées pour mieux sécuriser le dispositif d'alimentation.

16. Nettoyage

La trémie, son couvercle et le mécanisme de distribution (F) sont fabriqués dans des matériaux de grade alimentaire et peuvent être lavés au lave-vaisselle. Nettoyez l'unité de base en utilisant seulement un chiffon imbibé d'eau, les détergents et les produits à polir étant susceptibles de l'endommager.

Le mécanisme de distribution peut s'enlever en détachant le clip de fixation, comme illustré à la fig. 14.

17. Dépannage

- 17.1 Blocage du nourrisseur

Votre nourrisseur pour poissons Fish Mate a été testé avec une variété de bâtonnets/paillettes et de boulettes, mais dans le cas peu probable où il se coincerait, l'unité de base est programmée avec une fonction de déblocage automatique. Toutefois, si le nourrisseur est incapable de se décoincer, l'écran clignotera. Le blocage devra être éliminé manuellement, comme suit :

- Soulevez la trémie de l'unité de base.
- Faites pivoter le mécanisme de distribution à la main comme indiqué à la fig. 15 jusqu'à ce que la nourriture se déplace de nouveau librement.

REMARQUE : avant de remonter le nourrisseur, nous vous recommandons de changer les piles (voir section 14). Envisagez également l'utilisation d'un autre type d'aliment, qui sera peut-être moins enclin à se coincer.

- Remontez le nourrisseur et appuyez sur le bouton « TIME » pour arrêter le clignotement de l'affichage et reprendre un fonctionnement normal.

- 17.2 Aucune réponse de l'affichage

Dans le cas peu probable où l'écran ne répondrait plus, patientez 3 minutes avant d'essayer d'appuyer sur une touche. Si la fonction n'est pas rétablie, retirez les piles pendant 5 minutes. Puis, remplacez les piles et reprogrammez le nourrisseur.

1. Introducción

Gracias por elegir el Comedero para Peces de Estanque Fish Mate P7000.

El Comedero para Peces de Estanque Fish Mate P7000 le permite programar hasta 3 comidas en un período de 24 horas, y tiene la capacidad de servir cada comida en unidades de 15ml (3 cucharadas pequeñas) aproximadamente. Asimismo, el comedero le permitirá servir comidas antes de las horas programadas y servir comidas adicionales a petición. Este comedero también ofrece una opción de 'surtido frecuente' que dispensará una comida programada a lo largo de un período más largo de tiempo.

Para asegurar que los ajustes elegidos no puedan ser manipulados, los botones de control deberán pulsarse firmemente para operar.

Si comienza el proceso de configuración pero lo abandona antes de completarlo, el sistema operativo alcanzará su 'tiempo límite' después de 60 segundos y se visualizará la hora actual.

Su comedero Fish Mate se ha fabricado con materiales de calidad superior y se ha montado conforme a rigurosas normas de calidad. No obstante, recomendamos que antes del uso, observe que funciona correctamente durante un período de 3 días como mínimo.

Este comedero se ha diseñado para emitir sonido al servir comida. El sonido es una indicación audible para el usuario de que el comedero está funcionando correctamente.

El comedero se ha diseñado para el uso con piensos secos con un tamaño máximo de 16mm. No obstante, piensos grandes irregulares podrían ser aptos.

Cuando deje a sus peces durante períodos largos, recomendamos que alguien realice una comprobación periódica para asegurarse de que todo funciona correctamente.

2. Instalación de las pilas

- 2.1 Saque la tolva de la unidad base.
- 2.2 Invierta la unidad base y saque la cubierta de las pilas soltando el clip de sujeción (Fig. 3).
- 2.3 Inserte 4 pilas alcalinas 'C' de buena calidad siguiendo los símbolos de orientación marcados en la parte inferior del compartimiento de las pilas. Vuelva a colocar la cubierta de las pilas. Normalmente, las pilas alcalinas de buena calidad durarán unos 12 meses (dependiendo del uso). Puede utilizar pilas comunes, recargables y de litio 1.5v, pero el indicador de batería únicamente funcionará correctamente con pilas alcalinas standard.

3. Ajuste del reloj

- 3.1 Pulse y sujete el botón 'TIME' durante 5 segundos, hasta que la cifra de la hora del reloj comience a destellar.
- 3.2 Pulse los botones '+' o '-' para ajustar el reloj a la hora correcta. Mantenga pulsado el botón '+' o '-' durante más de 3 segundos para desplazarse rápidamente.
- 3.3 Pulse el botón 'TIME' y la cifra de los minutos destellará. Ajuste los minutos utilizando los botones '+' o '-'.
- 3.4 Pulse el botón 'TIME' para guardar el ajuste.
- 3.5 Para cambiar el reloj entre los formatos de 12 horas (mañana/tarde) y 24 horas, pulse y sujete el botón 'TIME', y en menos de 3 segundos, pulse el botón '+'.

Espera 60 segundos hasta que la pantalla deje de destellar y el reloj se estabilice (Fig. 2) antes de proceder al paso siguiente.

4. Montaje del comedero de peces

- 4.1 Abra la tapa de la tolva (Fig. 4) y saque la boquilla surtidora y el mecanismo de surtido.
- 4.2 Introduzca la boquilla en la abertura delantera situada en la base de la tolva (Fig. 5). Asegúrese de colocarla correctamente, es decir, con el orificio de la boquilla hacia abajo.
- 4.3 Con cuidado, inserte el mecanismo de surtido en la abertura posterior situada en la base de la tolva (Fig. 6), hasta que el clip de sujeción se encaje en posición. Monte la tolva en la unidad base.

5. Ajuste del tamaño de las comidas

Le recomendamos que el tamaño de las comidas no exceda lo que sus peces puedan consumir en unos minutos. Alimentar a los peces en exceso es caro y perjudicial para su salud. Los peces pueden alimentarse una, dos o tres veces al día, dependiendo de los requisitos. Alternativamente, considere el ajuste de la opción de Surtido Frecuente descrita en la sección 12.

- 5.1 Llene la tolva con una cantidad adecuada de varitas o gránulos de comida que supere abundantemente la cantidad diaria. Para una frescura/sabor máximos del alimento, le recomendamos que cargue suministro para 10 días como máximo.
- 5.2 Coloque un bol de tamaño adecuado por debajo de la boquilla surtidora.
- 5.3 Llene el mecanismo de surtido pulsando y sujetando el botón 'FEED', y en menos de 3 segundos, pulsando y sujetando el botón '+' hasta que la pantalla muestre '10'. Al concluir la alimentación, pulse el botón 'TIME' para volver a visualizar el reloj. Devuelva el pienso del bol comedero a la tolva.
- 5.4 Repita el punto 5.3 anterior, esta vez sujetando ambos botones hasta que se haya dispensado la cantidad de comida requerida. Cuando la cantidad deseada de comida aparezca en el bol, suelte ambos botones y el comedero completará su unidad de surtido actual. Tome nota del número de unidades de surtido mostradas en la LCD. Después de 60 segundos, la pantalla volverá al reloj.

Ajuste los tamaños de las comidas para cada hora de comida programada de la forma siguiente:

- 5.5 Pulse y sujete el botón 'FEED' durante 5 segundos. La letra 'F' junto a dos ceros ('00') aparecerá y destellará en la pantalla (Fig. 7). Pulse los botones '+' o '-' para ajustar el número de unidades de surtido para este ajuste de comida.
- 5.6 Pulse el botón 'FEED' otra vez para ajustar los tamaños de comida para 'MEAL 2' (y 'MEAL 3').
NOTA: La programación de las unidades de surtido a dos ceros ('00') denota que la unidad de surtido está ajustada a 'off' (apagado), y que el indicador de comida no se visualizará cuando se haya completado este procedimiento.
- 5.7 Cuando haya programado todos los tamaños de comidas, guarde los ajustes pulsando el botón 'FEED'.

Cuando haya guardado los ajustes, aparecerá el indicador de reloj y se visualizarán los indicadores de comidas programadas bajo los iconos respectivos de peces (Fig. 2). El indicador que representa la siguiente hora de comida pendiente destellará.

6. Revisión de los tamaños de comidas

Cuando se muestre el indicador de reloj, usted podrá revisar todos sus ajustes programados de tamaños de comidas, de la forma siguiente:

- 6.1 Pulse el botón 'FEED' - las unidades de surtido programadas para 'MEAL 1' se visualizarán durante 60 segundos.
- 6.2 Pulse el botón 'FEED' otra vez antes de transcurridos 60 segundos para ver las unidades de surtido programadas para 'MEAL 2', y una vez más para 'MEAL 3'.
- 6.3 Pulse el botón 'FEED' otra vez para volver a la pantalla del reloj.

7. Ajuste de las horas de comida (no requerido para la opción de Surtido Frecuente - ir a la sección 12)

- 7.1 Pulse y sujete el botón 'TIME' durante 5 segundos, hasta que la cifra de la hora del reloj comience a destellar.
- 7.2 Pulse el botón 'TIME' dos veces - la cifra de la hora y el indicador 'MEAL 1' destellarán.
- 7.3 Ajuste la hora de comida de la misma forma que el reloj, pulsando los botones '+' o '-' para ajustar las horas; pulse el botón 'TIME' otra vez y ajuste los minutos.
- 7.4 Cuando se visualice la hora de comida deseada, pulse el botón 'TIME'. Repita 7.3 para configurar 'MEAL 2' y 'MEAL 3'.
NOTA: Si sólo se requieren una (o dos) comidas al día, el ajuste de 'MEAL 2' (y 'MEAL 3') no resultará crítico.
- 7.5 Cuando haya programado todas las horas de comida, guarde los ajustes pulsando el botón 'TIME' repetidamente, hasta que se visualice el indicador del reloj (después de 'MEAL 3').

8. Revisión de las horas de comida

Cuando se muestre el indicador de reloj, usted podrá revisar todos sus ajustes de horas de comida, de la forma siguiente:

- 8.1 Pulse el botón 'TIME' para visualizar la hora de comida programada para 'MEAL 1'.
- 8.2 Pulse el botón 'TIME' otra vez antes de transcurridos 60 segundos para ver las horas de comida programadas para 'MEAL 2', y una vez más para 'MEAL 3'.
- 8.3 Pulse el botón 'TIME' otra vez para volver a la pantalla del reloj.

9. Surtido adicional (además de una comida programada)

Si desea servir a sus peces unidades adicionales de comida en cualquier momento, pulse al mismo tiempo los botones 'FEED' y '+'. El comedero dispensará una unidad de pienso. Para servir varias unidades, mantenga pulsados ambos botones y la LCD mostrará el número total de unidades dispensadas. Suelte ambos botones y la unidad completará su unidad de surtido actual. El número de unidades dispensadas se visualizará durante 60 segundos.

10. Avance de surtido (sirve la siguiente comida programada anticipadamente)

Si desea adelantar una comida programada, pulse al mismo tiempo los botones 'FEED' y '-'. El comedero dispensará la siguiente comida programada pendiente; ahora podrá soltar ambos botones. Cuando se haya servido la comida adelantada (p. ej. MEAL 2), el indicador de la siguiente comida programada (p. ej. MEAL 3) destellará en la pantalla y no se volverá a dispensar pienso hasta esa hora.

Sólo se podrán adelantar comidas programadas para el mismo día.

11. Surtido manual (dispensa pienso controlado a petición)

Esta función le permite servir una cantidad predeterminada de pienso sin programar horas de comida. Proceda de la siguiente manera:

- 11.1 Calcule el número de unidades de pienso que le gustaría servir por comida (secciones 5.1 a 5.4.).
- 11.2 Configure 'MEAL 1' con el número de unidades de pienso (secciones 5.5 a 5.7). Pulse el botón 'FEED'.
- 11.3 Mientras destella el ajuste 'MEAL 2', pulse y sujete juntos los botones '+' y '-' durante 5 segundos, hasta que se visualice 'OFF' (Fig. 8).

Ahora, cada vez que pulse y sujete el botón 'FEED' durante 5 segundos, se dispensará la 'MEAL 1' programada.

Para volver a encender el comedero:

- 11.4 Pulse y sujete los botones '+' y '-' al mismo tiempo durante 5 segundos.

La pantalla LCD destellará hasta que se haya restablecido el ajuste del reloj.

12. Surtido frecuente (surtidos pequeños a intervalos regulares)

La función de surtido frecuente permite servir los requisitos de comida diarios durante el transcurso del día, dispensando una única unidad de surtido a intervalos regulares dentro de unas horas programadas de inicio y fin. La función se ha diseñado para propietarios de peces que utilizan métodos profesionales de alimentación, o si usted desea regular la velocidad de consumo de alimento de sus peces.

En primer lugar, determine el total de unidades diarias de comida requeridas consultando las secciones 5.1 a 5.4. Las horas de inicio/fin y las unidades de surtido pueden programarse de la siguiente manera:

- 12.1 Pulse y sujete juntos los botones 'TIME' y 'FEED' durante 5 segundos, hasta que se visualice el indicador de surtido frecuente ('F') en la LCD (Fig. 2).
- 12.2 Pulse y sujete el botón 'TIME' durante 5 segundos, hasta que la cifra de la hora del reloj comience a destellar.
- 12.3 Pulse el botón 'TIME' dos veces - la cifra de la hora y el indicador 'MEAL 1' (hora de inicio) destellarán.
- 12.4 Ajuste la hora de inicio de la misma forma que el reloj, pulsando los botones '+' o '-' para ajustar las horas; pulse el botón 'TIME' otra vez para ajustar los minutos.
- 12.5 Pulse el botón 'TIME'. El indicador 'MEAL 3' (hora final) destellará. Repita 12.4 para ajustar la hora final.
- 12.6 Pulse el botón 'TIME', la letra 'F' junto a dos ceros ('00') aparecerá y destellará en la pantalla (Fig. 8). Pulse el botón '+' o '-' para ajustar el total de unidades de surtido diarias (secciones 5.1 a 5.4.).
- 12.7 Pulse el botón 'TIME' para guardar estos ajustes.

La LCD volverá a mostrar el reloj, visualizando los indicadores de 'Surtido frecuente', 'MEAL 1' y 'MEAL 3'.

Para revisar, pulse el botón 'TIME' una vez para ver el tiempo de inicio y otra vez para el tiempo final. Pulse una vez más para ver las unidades de surtido, y pulse finalmente para volver al reloj.

Para devolver el comedero a su operación estándar, pulse y sujete juntos los botones 'TIME' y 'FEED' durante 5 segundos. El indicador de 'Surtido frecuente' desaparecerá y se visualizará el indicador de reloj junto con los indicadores de comidas que se hayan programado y guardado anteriormente.

13. Apagado del comedero

El comedero podrá apagarse durante períodos prolongados de temperatura baja del agua, cuando los peces no requieren alimentación frecuente. Cuando la temperatura del agua vuelva a la normalidad, el comedero podrá encenderse de nuevo sin perder los ajustes programados.

- 13.1 Pulse y sujete juntos los botones '+' y '-' durante 5 segundos, hasta que se visualice 'OFF' (APAGADO) en la LCD (Fig. 8).

Para volver a encender el comedero:

- 13.2 Pulse y sujete juntos los botones '+' y '-' durante 5 segundos, hasta que la LCD muestre los indicadores de reloj y de las comidas programadas.

14. Cambio de las pilas

Cuando el indicador de Pila Baja (Fig. 2.) destelle en la LCD, las pilas necesitarán recambio.

IMPORTANTE:

- **Para conservar los ajustes del reloj y de todas las comidas, deberá quitar y cambiar todas las pilas en 60 segundos! El indicador de Pila Baja, debería apagarse cuando la siguiente comida se sirva.**
- **NO pulse ningún botón mientras quita o cambia las pilas. Si lo hace, deberá reconfigurar la unidad y reprogramar sus ajustes.**

15. Fijación del comedero a una tabla

Para aumentar la estabilidad y prevenir la interferencia de animales, le recomendamos que atornille el comedero a una tabla de tamaño adecuado y resistente a la intemperie. Si la fija en piedra u hormigón, necesitará una broca de taladro para trabajos de albañilería y fijadores de tornillos. Aplicando el método siguiente, el comedero podrá desmontarse fácilmente de la tabla sin requerir herramientas:

- 15.1 Coloque la unidad base sobre la tabla en la posición deseada. Con un lapicero, trace a su alrededor (Fig. 9).
- 15.2 Dibuje una línea central sobre el perfil de la unidad base y marque la posición de los tornillos como se muestra en la Fig. 10.
- 15.3 Seleccione un tornillo adecuado (Fig. 11) y atorníllelo a la tabla, dejando una distancia de 25mm entre la tabla y la base de la cabeza del tornillo para que el comedero pueda sacarse cuando necesite cambiar las pilas y limpiarlo.
- 15.4 Coloque la unidad base sobre el tornillo y deslícela a la posición de sujeción (Fig. 12).
- 15.5 Coloque la unidad base dentro del perfil trazado y marque las posiciones de los tornillos delanteros en el extremo más estrecho de los agujeros para tornillos (Fig. 13).
- 15.6 Quite la unidad base de la tabla. Aplique otros 2 tornillos (como se especifica en 15.3) y vuelva a colocar la unidad base sobre la tabla (como en 15.4). Si fuera necesario, estos 2 tornillos pueden atornillarse aún más para fijar mejor el comedero.

16. Limpieza

La tolva, la tapa de la tolva y el mecanismo de surtido (F) están fabricados con materiales seguros para los alimentos que pueden lavarse en un lavavajillas. La unidad base deberá limpiarse con un paño humedecido en agua exclusivamente - los detergentes y abrillantadores podrían causar daños.

El mecanismo de surtido podrá desmontarse soltando el clip de sujeción, como se muestra en la Fig. 14.

17. Resolución de problemas

- 17.1 Atasco en el comedero

Su comedero para estanque Fish Mate se ha comprobado exhaustivamente con diversas varitas y gránulos de comida, pero en el improbable caso de que el comedero se atasque, la unidad base está programada con una función automática de desbloqueo. Si el comedero no pudiera despejar el bloqueo, toda la pantalla LCD destellará. El bloqueo deberá despejarse manualmente, de la siguiente manera:

- Saque la tolva de la unidad base.
- Gire el mecanismo de surtido manualmente como se muestra en la Fig. 15, hasta que el pienso vuelva a moverse libremente.

NOTA: Antes de volver a montar el comedero, le recomendamos que cambie las pilas (véase la sección 14). Considere también el uso de un pienso diferente que sea menos propenso a atasarse.

- Vuelva a montar el comedero y pulse el botón 'TIME' para que la pantalla deje de destellar y continúe la operación normal.

- 17.2 La pantalla no responde

En el improbable caso de que la pantalla no responda, espere 3 minutos antes de intentar pulsar ninguno de los botones. Si no recupera el funcionamiento normal, quite las pilas durante 5 minutos. Seguidamente, vuelva a colocar las pilas y programe el comedero.

1. Inleiding

Dank u wel voor het kiezen van de Fish Mate P7000 Visvoerautomaat.

Met de Fish Mate P7000 Visvoerautomaat kunt u maximaal 3 maaltijden per 24 uur programmeren in porties vanaf ongeveer 15ml. Bovendien kunt u met de voerautomaat maaltijden vóór hun geprogrammeerde tijd serveren en ook extra maaltijden naar behoefte. Deze voerautomaat heeft verder een optie 'frequent voeren' die een geprogrammeerde maaltijd over een langere tijdsperiode doseert.

Het stevig indrukken van de regelknoppen voorkomt dat uw ingestelde tijden gemakkelijk verstoord kunnen worden.

Als u het instelproces begint en er voortijdig mee ophoudt, stopt het besturingssysteem na 60 seconden en ziet u de actuele tijd op de display.

Uw Fish Mate voerautomaat is gemaakt van hoogwaardig materiaal en in overeenstemming met strenge kwaliteitsnormen gemonteerd. Wel adviseren wij u voor het gebruik minstens 3 dagen te controleren of het apparaat juist werkt.

Deze voerautomaat is zo gemaakt dat hij geluid geeft als er voer geserveerd wordt. Het geluid is een hoorbare seintje voor de gebruiker dat de voerautomaat goed werkt.

De voerautomaat is gemaakt voor het gebruik van droog voer met een maximale afmeting van 16mm. Groot, onregelmatig voer kan echter wel geschikt zijn.

Als uw vissen gedurende lange tijd alleen zijn, raden wij aan dat iemand van tijd tot tijd de voerautomaat controleert om te zien of alles in orde is.

2. Het plaatsen van de batterijen

- 2.1 Til de voerbak uit het onderstuk.
- 2.2 Keer het onderstuk om en haal het dekplaatje van de batterijen af door het klemmetje in te drukken (afb. 3).
- 2.3 Vier hoogwaardige alkaline 'C' batterijen plaatsen volgens de plaatsingssymbooltjes onderin het batterijcompartiment. Dekplaatje van batterijen terugplaatsen. Goede hoogwaardige alkaline Batterijen gaan ongeveer 12 maanden mee (afhankelijk van gebruik). U kunt batterijen van de bekende merken gebruiken inclusief oplaadbare en 1.5v lithium batterijen. De indicator die aangeeft wanneer de batterij bijna op is, werkt echter alleen wanneer u standaard alkaline batterijen gebruikt.

3. Instellen van de klok

- 3.1 'TIJD' knop indrukken en 5 seconden ingedrukt houden totdat het uurscijfer op de klok begint te knippen.
- 3.2 Druk op de '+' of '-' knop om het juiste uur op de klok in te stellen. Houd de '+', of '-' knop meer dan 3 seconden ingedrukt om door te scrollen.
- 3.3 Druk op de 'TIJD' knop en het minutencijfer zal knippen. Stel de juiste minuten in met behulp van de '+' of '-' knop.
- 3.4 Op de 'TIJD' knop drukken om de instelling op te slaan.
- 3.5 De klok kan omgeschakeld worden van 12 uren naar 24 uren instelling door de 'TIJD' knop in te drukken en ingedrukt te houden en binnen 3 seconden op de '+' knop te drukken.

Wacht 60 seconden totdat de display niet meer knippert en de klok is ingesteld (afb. 2) alvorens naar de volgende stap te gaan.

4. Het monteren van de visvoerautomaat

- 4.1 Maak de deksel van de voerbak open (afb. 4) en haal voertuit en voermechanisme eruit.
- 4.2 Duw de tuit in de voorste opening aan de onderkant van de voerbak (afb. 5). Zorg voor de correcte plaatsing met de opening van de tuit omlaag gericht.
- 4.3 Steek het voermechanisme voorzichtig in de achteropening aan de onderkant van de voerbak (afb. 6) totdat het klemmetje in de juiste stand vastklikt. Plaats de gemonteerde voerbak in het onderstuk.

5. Het bepalen van het maaltijdvolume

Wij adviseren om de maaltijden zo te doseren dat uw vissen niet meer voer krijgen dan ze in een paar minuten zullen eten. Uw vissen teveel voer geven is zowel duur als nadelig voor hun gezondheid. Vissen mogen een, twee of drie keer per dag gevoerd worden afhankelijk van wat ze nodig hebben. U kunt ook overwegen de optie Frequent Voeren in te stellen, zoals omschreven in paragraaf 12.

- 5.1 Vul de voerbak met ruim meer dan de aanbevolen dagelijkse hoeveelheid sticks of pellets. Om het voer zo fris/appetiteus mogelijk te houden, raden wij aan maximaal voor 10 dagen voer te laden.
- 5.2 Zet een voldoende grote opvangbak onder de voertuit.
- 5.3 Het voermechanisme vult u door de 'VOER' knop in te drukken en ingedrukt te houden en binnen 3 seconden op de '+' knop te drukken totdat de display '10' aangeeft. Als het voeren gestopt is, moet men de 'TIJD' knop indrukken om de klok weer in de display te zien. Doe het voer uit de opvangbak weer in de voerbak.
- 5.4 Herhaal 5.3 (boven) maar houd deze keer beide knoppen ingedrukt totdat de gewenste dagelijkse hoeveelheid is gedoseerd. Als de gewenste hoeveelheid voer in de bak zit, laat u beide knoppen los en het voerapparaat voltooit de huidige voereenheid. Noteer het aantal voereenheden dat op de LCD te zien is. Na 60 seconden verschijnt de klok weer in de display.

Het maaltijdvolume voor elke geprogrammeerde maaltijd stelt u als volgt in:

- 5.5 Druk op de 'VOER' knop en houd deze 5 seconden ingedrukt. De letter 'F' verschijnt naast de twee nullen ('00') en knippert op de display (afb. 7). Druk op de '+' of '-' knop om het aantal voereenheden voor deze maaltijdingstelling vast te leggen.
- 5.6 Druk opnieuw op de 'VOER' knop om het maaltijdvolume voor 'MAALTIJD 2' (en 'MAALTIJD 3') in te stellen.
NB. Als het aantal voereenheden op twee nullen ('00') gezet wordt, betekent de voereenheden 'uit' staan en dan zal het indicatielampje voor de maaltijd niet branden als deze procedure is voltooid.
- 5.7 Als alle maaltijdvolumes geprogrammeerd zijn, slaat u uw instellingen op door op de 'VOER' knop te drukken.

Zodra de instellingen zijn opgeslagen, verschijnt de klok weer en de indicatielampjes van de geprogrammeerde maaltijden verschijnen onder de respectievelijke vis icoontjes (afb. 2). Het indicatielampje voor de tijd van de volgende maaltijd begint te knippen.

6. Overzicht maaltijdvolumes

Als de klok in beeld is, kunt u al uw geprogrammeerde maaltijdvolume instellingen als volgt bekijken:

- 6.1 Druk op de 'VOER' knop - de geprogrammeerde voereenheden voor 'MAALTIJD 1' zijn 60 seconden zichtbaar.
- 6.2 Nogmaals binnen 60 seconden de 'VOER' knop indrukken om de geprogrammeerde voereenheden voor 'MAALTIJD 2' te zien en nog eens voor 'MAALTIJD 3'.
- 6.3 De 'VOER' knop opnieuw indrukken om de klok weer in de display te zien.

7. Het instellen van de voertijden (Niet nodig bij de optie Frequent Voeren - ga naar paragraaf 12)

- 7.1 De 'TIJD' knop indrukken en 5 seconden ingedrukt houden totdat het uurscijfer op de klok begint te knippen.
- 7.2 Druk tweemaal op de 'TIJD' knop - het uurscijfer en het indicatielampje 'MAALTIJD 1' beginnen te knippen.
- 7.3 Stel de tijd van de maaltijd op dezelfde manier in als de klok; druk op knop '+' of '-' om de uren in te stellen, druk nogmaals op de 'TIJD' knop en stel de minuten in.
- 7.4 Als de gewenste tijd van het maal verschijnt, op de 'TIJD' knop drukken. Herhaal 7.3 om 'MAALTIJD 2' en 'MAALTIJD 3' in te stellen.
NB. Als slechts één of twee maaltijden per dag gewenst zijn, is de instelling voor 'MAALTIJD 2' (en 'MAALTIJD 3') niet belangrijk.
- 7.5 Sla uw instellingen - als alle maaltijden geprogrammeerd zijn - op door zo vaak op de 'TIJD' knop te drukken dat de klok weer te zien is (na 'MAALTIJD 3').

8. Overzicht voertijden

Als de klok in beeld is, kunt u alle geprogrammeerde voertijden als volgt bekijken:

- 8.1 Druk de 'TIJD' knop in en de geprogrammeerde tijd voor 'MAALTIJD 1' verschijnt.
- 8.2 Nogmaals binnen 60 seconden de 'TIJD' knop indrukken om de geprogrammeerde tijden voor 'MAALTIJD 2' te zien en nog eens voor 'MAALTIJD 3'.
- 8.3 De 'TIJD' knop opnieuw indrukken om de klok weer in de display te zien.

9. Extra voer (naast een Ingestelde Maaltijd)

Als u op een willekeurig moment uw vissen extra porties voer wilt geven, moeten de 'VOER' en '+' knop gelijktijdig ingedrukt worden. De voerautomaat doseert één voereenheid. Houd beide knoppen ingedrukt als u meerdere eenheden wilt voeren en op de LCD verschijnt het totale aantal gedoseerde eenheden. Laat beide knoppen los en het apparaat voltooit de huidige voereenheid. Het aantal gedoseerde eenheden blijft 60 seconden zichtbaar.

10. Vervroegd voeren (de volgende ingestelde Maaltijd wordt eerder gegeven)

Als u een geprogrammeerde ingestelde maaltijd eerder wilt geven, moeten de 'VOER' en '-' knop gelijktijdig ingedrukt worden. De voerautomaat doseert de volgende geprogrammeerde maaltijd en u kunt nu beide knoppen loslaten. Nadat de vervroegde ingestelde maaltijd (bijv. MAALTIJD 2) gegeven is, knippert het indicatielampje van de volgende geprogrammeerde maaltijd pas op die ingestelde tijd wordt er weer voer gedoseerd.

U kunt maaltijden uitsluitend vervroegd geven als ze voor dezelfde dag geprogrammeerd zijn.

11. Handmatig voeren (dosering van afgemeten maaltijden naar behoefte)

Met deze functie kunt u een vooraf bepaalde hoeveelheid voer geven zonder maaltijden te programmeren. Ga als volgt te werk:

- 11.1 Bereken het aantal voereenheden dat u per maaltijd wilt geven (paragrafen 5.1 t/m 5.4).
- 11.2 Stel 'MAALTIJD 1' in met het aantal voereenheden (paragrafen 5.5 t/m 5.7). Druk op de 'VOER' knop.
- 11.3 Druk terwijl 'MAALTIJD 2' knippert, de '+' en '-' knoppen in en houd samen 5 seconden ingedrukt totdat 'UIT' verschijnt (afb. 8).

Elke keer dat u nu de 'VOER' knop indrukt en 5 seconden vasthoudt, wordt het geprogrammeerde 'MAALTIJD 1' gedoseerd.

Om de voerautomaat weer aan te zetten:

- 11.4 De '+' en '-' knop samen 5 seconden ingedrukt houden.

De LCD knippert totdat de tijd op de klok weer te zien is.

12. Frequent Voeren (regelmatig kleine voerporties)

Met de optie Frequent Voeren kan de dagelijks gewenste hoeveelheid voer in de loop van een dag gegeven worden, waarbij mete regelmatige tussenpozen een enkele voereenheid tussen een geprogrammeerde start- en eindtijd wordt gedoseerd. De functie is ontworpen voor gebruikers die professionele voermethodes hanteren of als u de snelheid van de voedselopname door uw vissen wilt regelen.

Bepaal eerst het totaal aantal dagelijksbenodigde voereenheden aan de hand van paragrafen 5.1 t/m 5.4. De start/eindtijden en de voereenheden kunnen als volgt worden geprogrammeerd:

- 12.1 De 'TIJD' en 'VOER' knoppen gelijktijdig indrukken en ingedrukt houden totdat het indicatielampje Frequent Voeren ('V') op de LCD verschijnt (afb. 2).
- 12.2 De 'TIJD' knop indrukken en 5 seconden ingedrukt houden totdat het uurcijfer op de klok begint te knipperen.
- 12.3 Druk tweemaal op de 'TIJD' knop - het uurcijfer en het indicatielampje 'MAALTIJD 1' (starttijd) beginnen te knipperen.
- 12.4 Stel de starttijd van de maaltijd op dezelfde manier in als de klok; druk op de knoppen '+' of '-' om de uren in te stellen, druk nogmaals op de 'TIJD' knop en stel de minuten in.
- 12.5 Druk op de 'TIJD' knop. Het indicatielampje 'MAALTIJD 3' (eindtijd) zal knipperen. Herhaal 12.4 om de eindtijd in te stellen.
- 12.6 Op de 'TIJD' knop drukken en de letter 'V' verschijnt naast de twee nullen ('00') en knippert op de display (afb. 7). Druk op de '+' of '-' knop om het totale aantal dagelijkse voereenheden in te stellen (paragrafen 5.1 t/m 5.4).
- 12.7 Druk op de 'TIJD' knop om deze instellingen op te slaan.

De klok verschijnt weer op de LCD met de indicatielampjes 'Frequent Voeren', 'MAALTIJD 1' en 'MAALTIJD 3'.

Als u de start/eindtijden wilt bekijken, de 'TIJD' knop indrukken om de starttijd te zien en nog een keer voor de eindtijd. Nog een keer indrukken om de voercyclussen te bekijken en tenslotte indrukken om naar de klok terug te keren.

De 'TIJD' en 'VOER' knop samen 5 seconden ingedrukt houden om de voerautomaat weer in standaardwerking te zetten. Het indicatielampje 'Frequent Voeren' verdwijnt en de klok verschijnt samen met de indicatielampjes van alle reeds opgeslagen geprogrammeerde instellingen.

13. Het uitzetten van de voerautomaat

Als uw vissen tijdens langdurige periodes met lage watertemperaturen niet regelmatig gevoerd hoeven te worden, kan de automaat uitgezet worden. Als de watertemperaturen weer normaal zijn kan, de voerautomaat weer aangezet worden zonder verlies van de geprogrammeerde instellingen.

- 13.1 Druk de knop '+' en '-' samen in en houd 5 seconden ingedrukt totdat 'UIT' op de LCD verschijnt (afb. 8).

Om de voerautomaat weer aan te zetten:

- 13.2 Houd de knop '+' en '-' samen 5 seconden ingedrukt totdat de klok en de indicatielampjes van de ingestelde maaltijd op de LCD verschijnen.

14. Batterijen verwisselen

Als het indicatielampje Batterij Bijna Leeg (afb. 2.) op de LCD knippert, moeten de batterijen vervangen worden.

BELANGRIJK!

- **Om de instelling van de klok en alle maaltijden te behouden, moet u alle batterijen binnen 60 seconden verwijderen en vervangen! Het indicatielampje Batterij Bijna Leeg moet uitgaan als de volgende maaltijd wordt geserveerd.**
- **NIET op knoppen drukken tijdens het verwijderen of vervangen van de batterijen. Anders wordt het apparaat gereset en moeten alle instellingen opnieuw geprogrammeerd worden.**

15. Bevestiging van de voerautomaat op een plank

Voor extra stabiliteit en ter voorkoming van verstoring door dieren, is het raadzaam om de voerautomaat vast te schroeven op een passende, weerbestendige plank. Als hij op steen of beton vastgezet wordt, zijn een steenboor en pluggen nodig. Onderstaande methode zorgt dat de voerautomaat zo nodig zonder gereedschap gemakkelijk van de plank kan worden verwijderd:

- 15.1 Zet het onderstuk op de gewenste plaats op de plank. Met een potlood een lijn om de afdruk trekken (afb. 9).
- 15.2 Teken een middellijn door de omtrek van het onderstuk en kruis de plaats van de schroef aan - zie afb. 10.
- 15.3 Kies een passende schroef (afb. 11) en schroef hem in de plank, waarbij een ruimte van 25 mm tussen plank en onderkant van de kop moet worden vrijgelaten, zodat de voerautomaat verwijderd kan worden om deze schoon te maken of om de batterijen te vervangen.
- 15.4 Zet het onderstuk op de schroef en schuif het vast (afb. 12).
- 15.5 Zet het onderstuk binnen de getekende omtreklijn en markeer de plaatsen van de voorste schroeven binnen het smalle deel van de schroefgaten (afb. 13).
- 15.6 Haal het onderstuk van de plank. Nog 2 schroeven indraaien (als aangegeven in 15.3) en zet het onderstuk weer op de plank (zie 15.4). Indien nodig, kunnen deze 2 schroeven dieper ingeschroefd worden om de voerautomaat steviger te vast te zetten.

16. Reiniging

Voerbak, deksel en voermechanisme (F) zijn van voedselveilig materiaal gemaakt dat in een vaatwasser kan worden afgewassen. Maak het onderstuk uitsluitend met een vochtige doek schoon - schoonmaakmiddelen en glansmiddelen kunnen schade veroorzaken.

Het voermechanisme kan verwijderd worden door het klemmetje los te maken -zie afb. 14.

17. Troubleshooting

- 17.1 Verstopping in de voerautomaat

Uw Fish Mate voerautomaat is uitvoerig getest met diverse sticks en pellets, maar mocht het voerapparaat toch verstopt raken, dan is het onderstuk geprogrammeerd met een automatische ontstoppingsfunctie. Als de voerautomaat echter de verstopping niet kan verwijderen, knippert het hele LCD scherm. De verstopping dient vervolgens als volgt met de hand vrijgemaakt te worden:

- Til de voerbak uit het onderstuk.
- Draai het voermechanisme met de hand - zie afb. 15 - totdat het voer weer ongehinderd beweegt.

NB. Het is raadzaam om de batterijen te vervangen voordat u de voerautomaat weer in elkaar zet (zie paragraaf 14.) U zou ook kunnen overwegen een ander type voer te kiezen dat misschien minder gemakkelijk verstopping veroorzaakt.

- Zet de voerautomaat weer in elkaar en druk op de 'TIJD' knop, zodat de display niet meer knippert en de normale werking wordt hervat.

- 17.2 Display functioneert niet

Mocht het de display niet functioneren - wat onwaarschijnlijk is - wacht dan 3 minuten wachten alvorens op de knoppen te gaan drukken. Verwijder, als dan alles nog niet normaal werkt, de batterijen 5 minuten. Plaats ze daarna weer terug en programmeer de voerautomaat opnieuw.



Pet Mate Ltd. guarantees your product for a period of 3 years from the date of purchase, subject to the registration of your purchase details on our website www.pet-mate.com within 14 days of purchase. (If you do not have access to a computer, please send details of your purchase with copy of receipt along with your name and address.) In the event of a fault developing contact Pet Mate customer services for a returns authorisation number. The guarantee is limited to any defect arising due to faulty materials or manufacture. Any defective item will be repaired or replaced free of charge at the manufacturer's discretion, provided that the defect has not been caused by neglect, misuse or normal wear and tear. Your statutory rights are not affected.

D GARANTIE

Pet Mate Ltd. gewährt auf Ihr Produkt eine Garantie von 3 Jahren ab dem Kaufdatum, unter der Voraussetzung, dass die Registrierung Ihres Produkts auf unserer Website www.pet-mate.com innerhalb von 14 Tagen des Kaufdatums erfolgt ist. (Wenn Sie keinen entsprechenden Computerzugang haben, senden Sie uns bitte Ihre Kaufangaben zusammen mit einer Kopie Ihres Einkaufsbelegs und Angabe Ihres Namens und Ihrer Adresse.) Sollte an Ihrem Produkt eine Störung auftreten, so kontaktieren Sie bitte den Kundendienst von Pet Mate, damit wir Ihnen eine Rücksendungs-Genehmigungsnummer übermitteln können. Die Garantie ist auf Mängel beschränkt, die auf fehlerhaftes Material oder Produktionsfehler zurückzuführen sind. Fehlerhafte Artikel werden nach Ermessen des Herstellers kostenlos repariert oder ersetzt, vorausgesetzt, dass der Defekt nicht durch ein Missgeschick, Vernachlässigung, falsche Bedienung oder normale Abnutzung verursacht wurde. Ersatzteile können aber auf unserer Website bestellt werden. Ihre gesetzlichen Rechte sind nicht betroffen.

F GARANTIE

Pet Mate Ltd. garantit votre produit pour une période de 3 ans à compter de la date d'achat, sous réserve d'enregistrement des détails de votre achat sur notre site www.pet-mate.com dans les 14 jours suivant l'achat. (Si vous n'avez pas accès à un ordinateur, veuillez envoyer les détails de votre achat avec une copie du reçu, accompagnée de votre nom et de votre adresse.) En cas de panne/mauvais fonctionnement, contactez Pet Mate pour obtenir un numéro d'autorisation de retour. Les articles défectueux seront remplacés ou réparés gratuitement à la discrétion du fabricant, sous réserve que le mauvais fonctionnement ne soit pas le résultat d'un usage inadapté ou abusif ou d'une usure normale. Ces conditions n'affectent pas vos droits statutaires.

E GARANTÍA

Pet Mate Ltd. garantiza su producto durante un período de 3 años a partir de la fecha de compra, siempre y cuando haya registrado los detalles de su compra en nuestro sitio web, www.pet-mate.com, durante los 14 días posteriores a la fecha de compra. (Si no tuviera acceso a un ordenador, por favor, envíe los detalles de su compra junto con una copia del recibo, su nombre y dirección.) En caso de producirse un fallo, póngase en contacto con Servicio al Cliente de Pet Mate para obtener un número de autorización de devolución. La garantía se limita a aquellos fallos que se produzcan como consecuencia de materiales o fabricación defectuosos. Todo artículo defectuoso se reparará o reemplazará a la discreción del fabricante, siempre y cuando el defecto no haya sido causado por negligencia, uso indebido o el uso y desgaste normales. Sus derechos estatutarios no resultarán afectados.

NL GARANTIE

Pet Mate Ltd. geeft drie jaar garantie op uw product, vanaf de koopdatum en afhankelijk van de registratie binnen 14 dagen na aankoop van uw koopgegevens op onze website www.pet-mate.com. (Als u geen toegang tot een computer hebt, wilt u dan de gegevens over uw aanschaf samen met een kopie van uw koopbewijs inclusief uw naam en adres opsturen.) Mocht zich een defect voordoen, neemt u dan contact op met de klantendienst van Pet Mate en u ontvangt een autoriseringsnummer voor retour. Deze garantie betreft slechts defecten ten gevolge van materiaal- of fabrieksfout. Elk defect onderdeel wordt gratis gerepareerd of vervangen, dit ter beoordeling van de fabrikant, en op voorwaarde dat het defect niet ontstaan is door onzorgvuldigheid, onjuist gebruik of door normale slijtage. Dit heeft geen effect op uw vastgelegde rechten.

© **PET MATE Ltd.**

Lyon Road, Hersham, Surrey KT12 3PU, England.

N. America only:

ANI MATE

104A Longview Drive, Conroe, TX 77301

34803/0614