

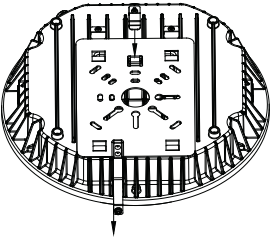
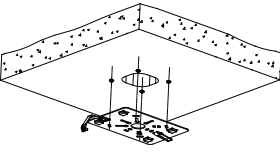
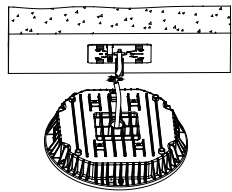
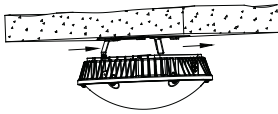
Installation Instruction

Parking Garage Fixture

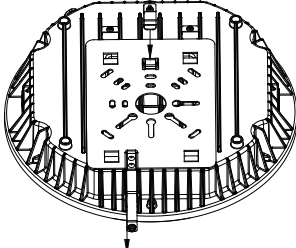
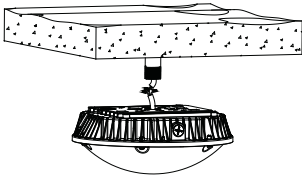
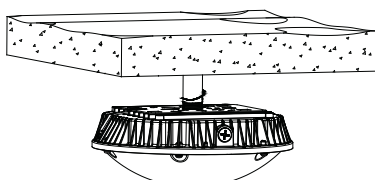
 PLEASE READ ALL INSTRUCTIONS BEFORE ATTEMPTING INSTALLATION

1. To prevent personal injury or product damage only licensed electricians should install.
2. To avoid electrical shock or component damage, disconnect power before attempting installation or servicing.
3. This product must be installed in accordance with the national electric code (NEC) and all applicable federal, state and local electric codes and safety standards.
4. Disconnect product and allow cooling prior to any further steps.
5. Any alteration or modification of this product is expressly forbidden as it may cause serious personal injury, death, property damage and/or product malfunction.
6. To prevent product malfunction and/or electrical shock this product must be properly grounded.
7. This luminaire is designed to operate in ambient temperatures ranging from -25°C to 40°C and to be horizontally mounted with the LED board facing downward.

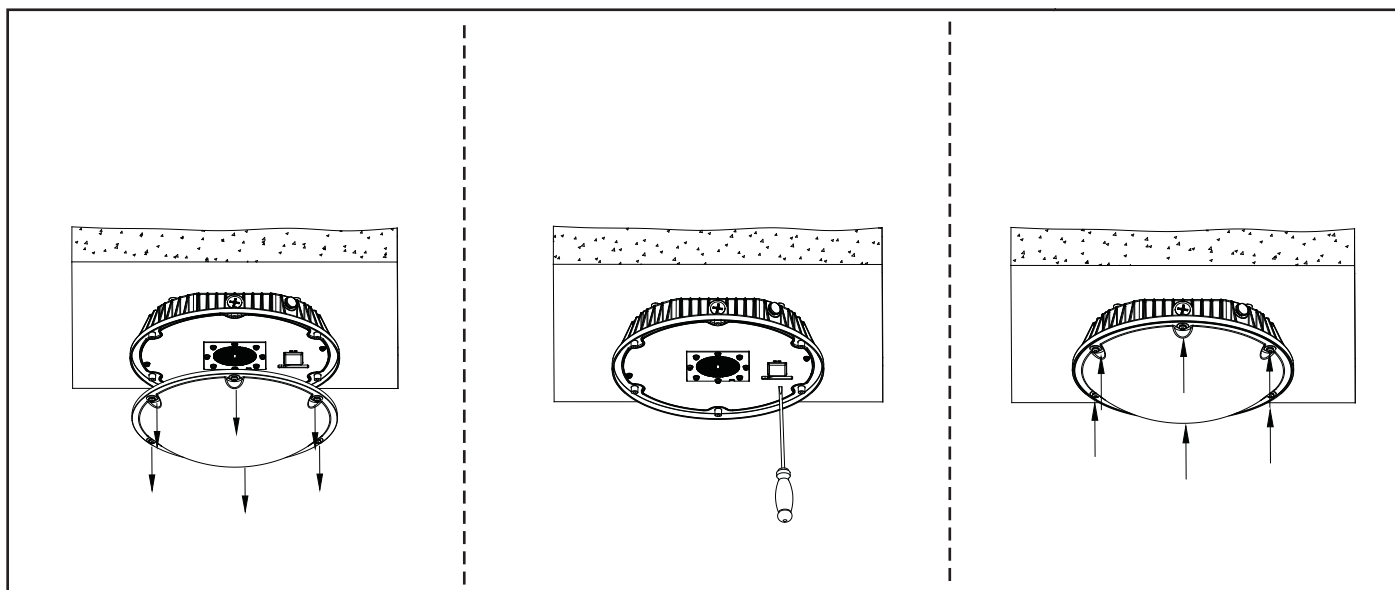
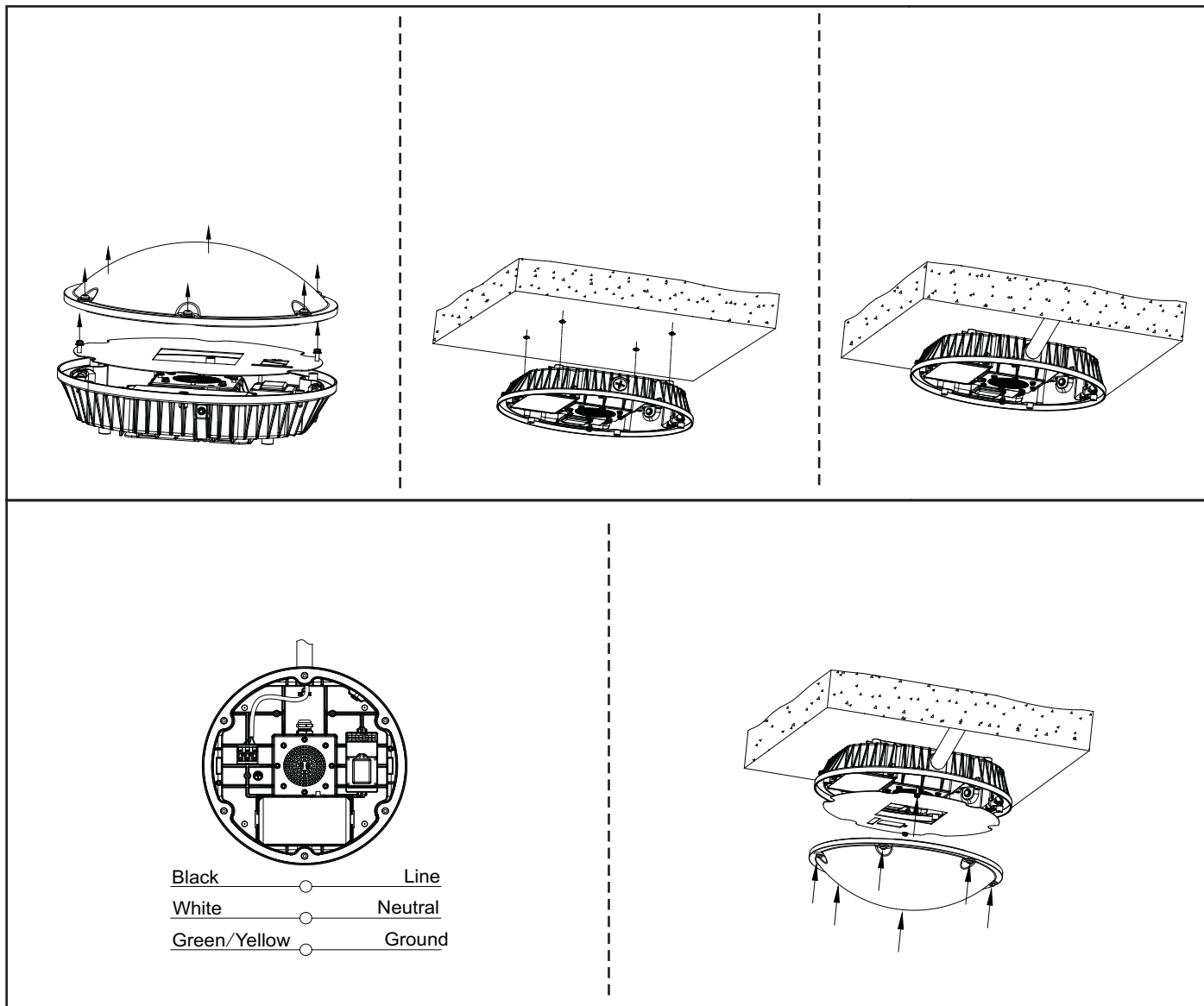
Surface-mounted with J-BOX

<p>1. Loosen the screw on the side of the housing and pull out the connecting plate</p> 	<p>2. Fix the connecting plate onto the ceiling and put the wire through center hole</p> 	<p>3. Buckle the connecting plate into the clips and connect the wires as following shows</p>  <table border="0"><tr><td>Black</td><td>○</td><td>Line</td></tr><tr><td>White</td><td>○</td><td>Neutral</td></tr><tr><td>Green/Yellow</td><td>○</td><td>Ground</td></tr></table>	Black	○	Line	White	○	Neutral	Green/Yellow	○	Ground	<p>4. Slide lamp back into the connecting plate and fix the screw that is removed in step one</p> 
Black	○	Line										
White	○	Neutral										
Green/Yellow	○	Ground										

Pendent Installation with 3/4 inch conduit

	 <table border="0"><tr><td>Black</td><td>○</td><td>Line</td></tr><tr><td>White</td><td>○</td><td>Neutral</td></tr><tr><td>Green/Yellow</td><td>○</td><td>Ground</td></tr></table>	Black	○	Line	White	○	Neutral	Green/Yellow	○	Ground	
Black	○	Line									
White	○	Neutral									
Green/Yellow	○	Ground									

Surface-mounted with side-wiring



Setting

By selecting the combination on the DIP switches, sensor data can be precisely set for each specific application.

ON ↑ □		1	2	
	I	ON	ON	100%
	II	ON	-	75%
	III	-	ON	50%
IV	-	-	10%	

Detection area

Detection area can be reduced by selecting the combination on the DIP switches to fit precisely each application .

Hold time

Refers to the time period the lamp remains at 100% illumination after no motion detected.

Stand-by period

Refers to the time period the lamp remains at a low light level before it completely switches off in the long absence of people.
When set to "+∞" mode, the low light is maintained until motion is detected.

Daylight sensor

The sensor can be set to only allow the lamp to illuminate below a defined ambient brightness threshold.
When set to Disable mode, the daylight sensor will switch on the lamp when motion is detected regardless of ambient light level.
50lux, 30lux: twilight operation, 10lux, 5lux: darkness operation only.
Note that daylight sensor is active only when lamp totally switches off.

Stand-by dimming level

The low light level you would like to have after the hold time in the long absence of people.

ON ↑ □		3	4	5	
	I	ON	ON	ON	
	II	-	ON	ON	30s
	III	ON	-	ON	90s
	IV	-	-	ON	3min
	V	ON	ON	-	20min
VI	-	-	-	30min	

ON ↑ □		6	7	8	
	I	ON	ON	ON	0s
	II	-	ON	ON	5s
	III	ON	-	ON	5min
	IV	-	-	ON	10min
	V	ON	ON	-	30min
	VI	-	ON	-	1h
VII	-	-	-	+∞	

ON ↑ □		1	2	3	4	
	I	-	-	ON	ON	2Lux
	II	-	-	-	ON	5Lux
	III	-	ON	ON	-	10Lux
	IV	-	-	ON	-	25Lux
	V	-	ON	-	-	50Lux
	VI	ON	-	-	-	100Lux
VII	-	-	-	-	Disable	

ON ↑ □		5	6	
	I	ON	ON	50%
	II	-	ON	30%
	III	ON	-	20%
IV	-	-	10%	