



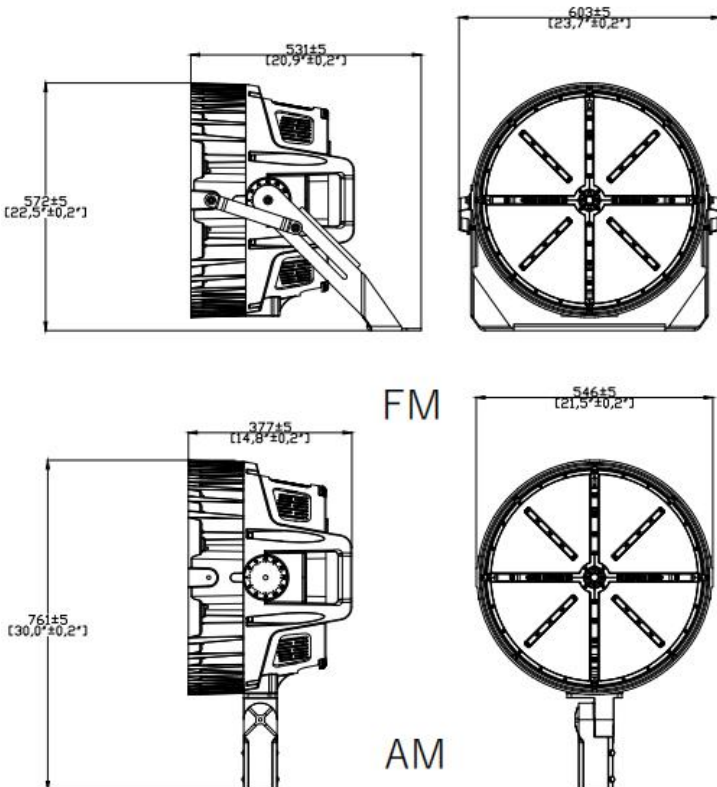
ADVANTAGE

- Sufficient for UL cUL DLC-V5.1 certificate
- Input voltage 200-480Vac
- No UV or IR in the beam
- Easy to install and operate
- Energy saving, long lifespan
- Instant start, NO flickering, NO humming
- Green and eco-friendly without mercury
- Output constant current lever can be adjusted through output cable with 0-10V.

APPLICATION

- ◆ Gymnasium;
- ◆ Square plaza;
- ◆ Shipyard, Airport ,wharf;
- ◆ High mast and Contour lighting, etc.

DIMENSIONS



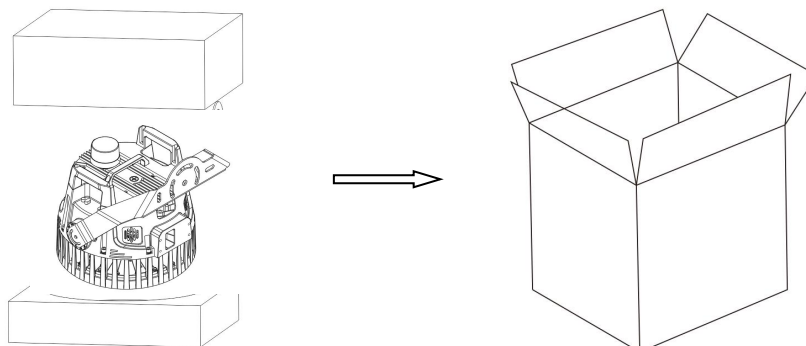
SPECIFICATIONS

OPTICAL	Input Power (Tolerance : ±10%)	1200W		
	Color Temperature	4000K	5000K	5700K
	Lumen (Tolerance : ±10%)	182400 LM	182400 LM	183600 LM
	Efficacy (Tolerance :±3%)	152 LM/W	152 LM/W	153 LM/W
	CRI	>70		
	Color Consistency	<6 Steps (or <6 SDCM)		
	BUG	B5-U0-G5		
	Distribution Pattern	NEMA:4		
Beam Angle (50%) (Tolerance : ±15%)	30°			
ELECTRICAL	Input Voltage and Frequency	200-480VAC, 50/60Hz		
	PF (Tolerance : -3%)	≥0.9		
	THD (Tolerance : +5%)	≤20%		
	Flicker Percent	<5%		
	Driver Brand	UPower Tek		
	Driver Model	TLD-600-C420-ENU		
	Driver Surge protection	L/N-PE: 10kV, L-N:6kV		
	Dimming	0-10V dimming standard		
	Sensor Type	Integral Sensor Receptacle, Exterior Photocell		
	Optional Accessory	Sensor Receptacle+Photosensor /Sensor Receptacle+Short Cap, Surge-protective Device		
MATERIALS	LED Brand	Bridgelux		
	LED Type	SMD3030		
	LED QTY	1232 PCS		
	Housing	Die-cast aluminum		
	Housing Color	Black, White, Bronze or Customized		
	EPA	3.3 ft ²		
	Waterproof Rating	WET (IP65)		
OTHERS	Operating Temperature	-40°C TO 45°C		
	Storage Temperature	-40°C TO 80°C		
	Operating Humidity	20% - 90% RH		
	Storage Humidity	10% - 95% RH		
	Warranty	5 years		

PACKAGE

Bracket Type	Carton Size	Qty / Carton	Net Weight / Carton	Gross Weight / Carton
FM	660*645*580 mm [25.98*25.39*22.83inch]	1 PC	27.9KG [61.5LBS]	30.1 KG [66.35LBS]
AM	660*645*580 mm [25.98*25.39*22.83inch]	1 PC	29.6 KG [65.25LBS]	33.6 KG [74.07LBS]

Tolerance of Carton Size: ±15 mm[±0.59 inch], Tolerance of Weight: ±10%.



LIGHT DISTRIBUTION TESTING PARAMETERS

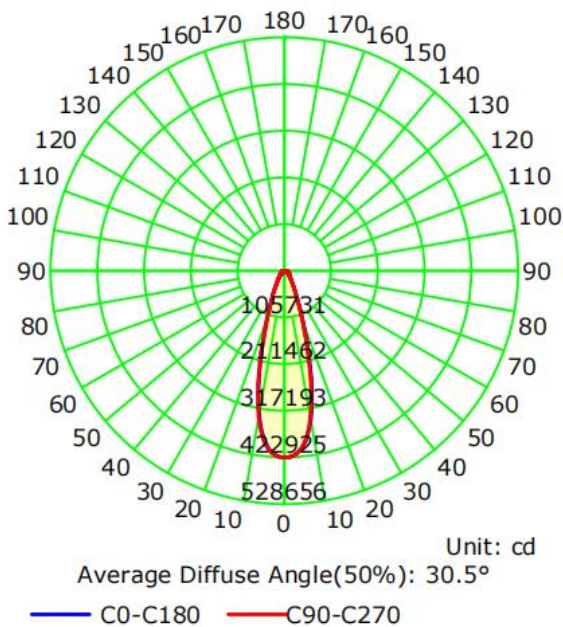
Luminaire Property

Luminaire Manufacturer:	Luminaire Description:
Luminaire Category:	Lamp Description:
Lamp Catalog:	Lumens per Lamp:
Number of Lamps:	Luminous Width (mm):
Luminous Length (mm):	Voltage: 277.0 V
Luminous Height (mm):	Power: 1192.00 W
Current: 4.329 A	
Power Factor: 0.994	

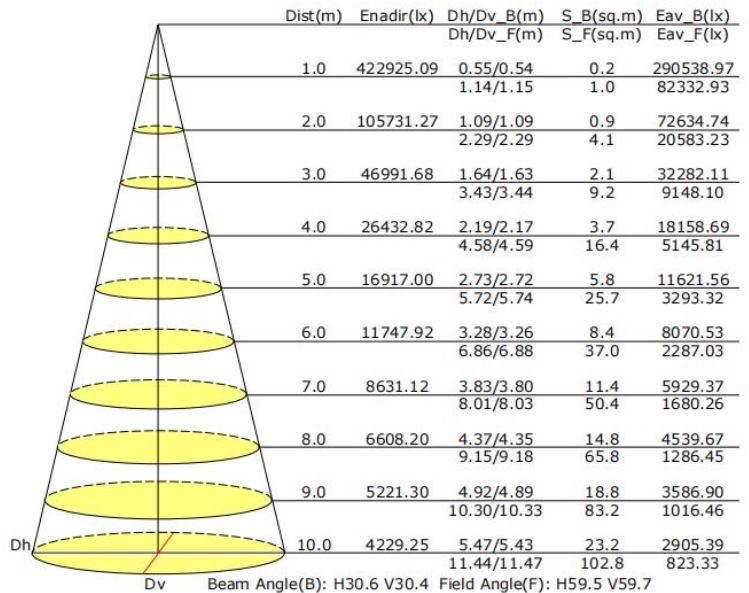
Photometric Results

IES Classification: Type I	Longitudinal Classification: Very Short
Total Rated Lamp Lumens: 182137.3 lm	Measurement Flux: 182137.3 lm
Efficiency: 100%	Downward Ratio: 100%
Upward Ratio: 0%	Luminaire Efficacy Rating (LER): 152.85
C0r0 Intensity: 422925.09 cd	Max. Intensity: 422925.1 cd
Pos of Max. Intensity: H0 V0	
Beam Angle(C0/C180,C90/C270,C45/C225,C135/315): 30.6, 30.4, 30.5, 30.3	

Luminous Intensity Distribution Curve



Illuminance at a Distance



NOTICE FOR USER

- Please turn off power before install or change assembly parts.
- The input voltage and lamps should be matched, after connecting the power line, Please make sure the wiring section is insulated.
- No-professionals, must not install and disassemble the lamps.

TROUBLE SHOOTINGS

Troubles	Check points
Flickering of the light	Turn off the power and turn on again in 3 minutes. If same phenomena occur, then call agencies.
Out of working	Please check the connection.