



Post Top LED Light



Date:..... Location:

Product:.....Project:.....

Quantity:..... Catalog#

FEATURES

- Built in dusk to dawn photocell available
- Lightweight and easy access wiring
- Corrosion and rust proof
- 50,000 hours lifetime

SUITABLE APPLICATIONS

- Area Lighting
- Parking lot Auto Dealerships
- Shopping malls
- Sporting Complexes
- Path lighting
- Garden lighting

CONSTRUCTION:

Heavy die-cast aluminum alloy housing with black powder-coated finish. Glass lens.

ELECTRICAL:

Available as 120-277V input. -20°C to 45°C

OPTICAL SYSTEM:

High brightness lumileds LED chips. High quality tempered glass optics.120° beam angle.

INSTALLATION&MOUNTING:

3" round pole mounting by heights 15 to 30ft.

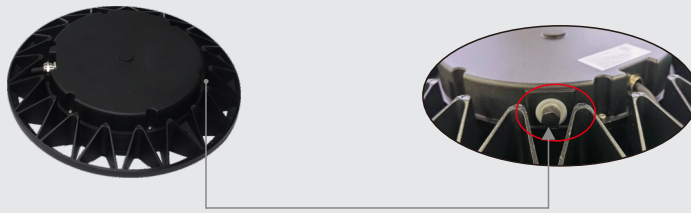
WARRANTY:

5-year limited warranty. Actual performance may differ as a result of end-user environment and application.

PERFORMANCE

Model NO	Photocell Control	Wattage	Voltage/CurrentInput		Light Efficiency	Kelvin Options
			120V	277V		
RMS-PT-40W-15000D	3fcON/ 13fc OFF	40W	0.34A	0.14A	130LM/W	3000K/4000K/5000K
RMS-PT-60W-15000D	3fc ON/ 13fc OFF	60W	0.50A	0. 21A	130LM/W	3000K/4000K/5000K
RMS-PT-100W-15001D	3fc ON 13fc OFF	100W	0.66A	0.28A	130LM/W	3000K/4000K/5000K
RMS-PT-150W-15001D	3fc ON 13fc OFF	150W	0.83A	0.36A	130LM/W	3000K/4000K/5000K

Photocell Control



Open Photocell cap, Start Photocell control function

Available Accessories:



4" Square pole mount base.



4" Round Pole mount base.

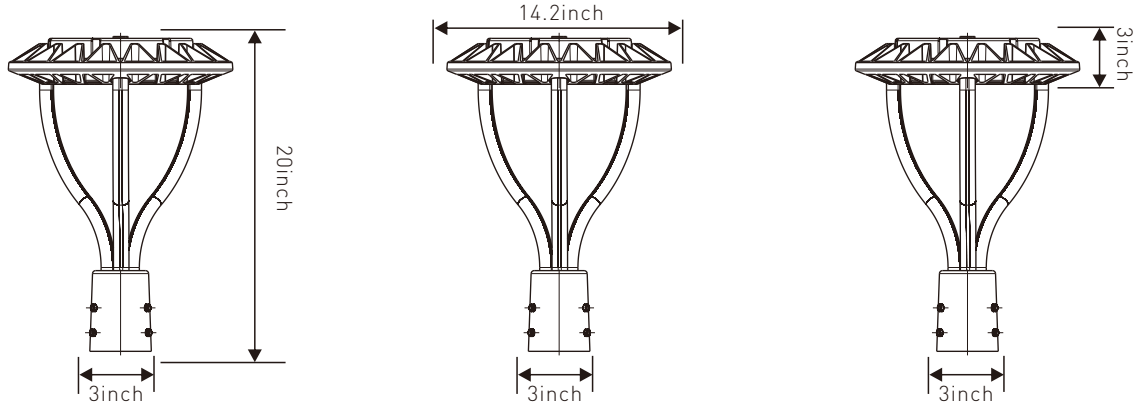
Electric Characteristic

Specification/Model	RMS-PT-40W-15000D	RMS-PT-60W-15000D	RMS-PT-100W-15001D	RMS-PT-150W-15001D
LED Driver	UL Listed KHM Brand			
Input power	40W	60W	100W	150W
Lumens output	5200LM	7800LM	13000LM	19500LM
Efficiency	130LM/W	130LM/W	130LM/W	130LM/W
CRI	>72	>72	>72	>72
Color Temperature	5000K	5000K	5000K	5000K
Input voltage	120-277V/AC	120-277V/AC	120-277V/AC	120-277V/AC
Light distribution type	120D	120D	120D	120D
Working temperature	-20+45°C	-20+45°C	-20+45°C	-20+45°C
Junction temperature	<75°C	<75°C	<75°C	<75°C
lamps efficiency	≥90%	≥90%	≥90%	≥90%
Certificate	ETL CETL DLC	ETL CETL DLC	ETL CETL DLC	ETL CETL DLC
Equivalent	100-120W MH/HPS	120-200W MH/HPS	200-300W MH/HPS	300-600W MH/HPS

Post Top LED Light

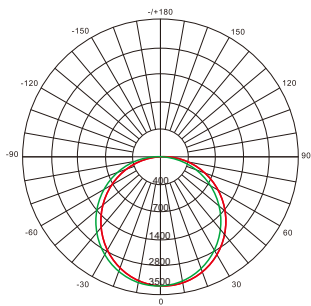


DIMENSION



DISTRIBUTION DIAGRAM

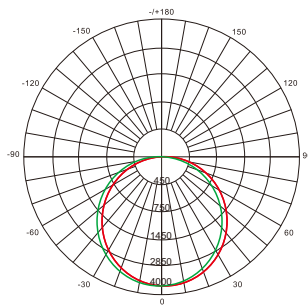
RMS-PT-40W-15000D



AVERAGE BEAM ANGLE[50%]: 108°

UNIT:CD
 Test Number:RMS-PT-40W-15000D
 Lumens:5200LM
 Test Number:40W
 Test Number:5000K

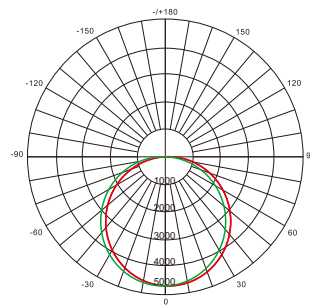
RMS-PT-60W-15000D



AVERAGE BEAM ANGLE[50%]: 108°

UNIT:CD
 Test Number:RMS-PT-60W-15000D
 Lumens:7800LM
 Test Number:60W
 Test Number:5000K

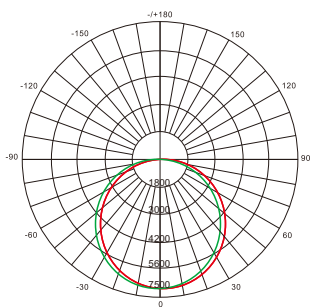
RMS-PT-100W-15001D



AVERAGE BEAM ANGLE[50%]: 108°

UNIT:CD
 Test Number:RMS-PT-100W-15001D
 Lumens:13000LM
 Test Number:100W
 Test Number:5000K

RMS-PT150W-15001D



AVERAGE BEAM ANGLE[50%]: 108°

UNIT:CD
 Test Number:RMS-PT-150W-15001D
 Lumens:19500LM
 Test Number:150W
 Test Number:5000K