

LED Strip Light

INSTRUCTION MANUAL

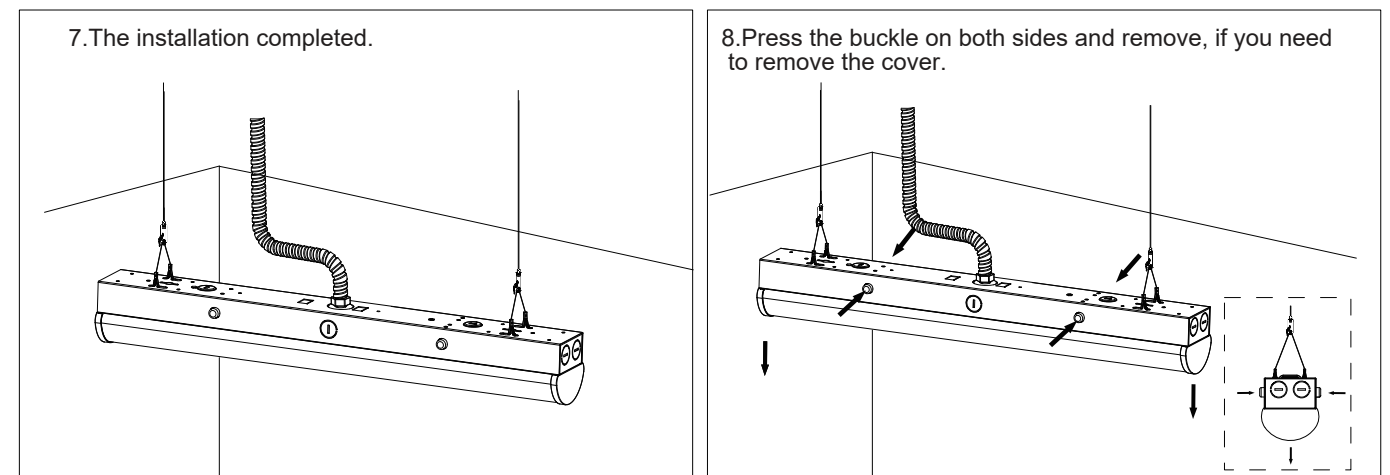
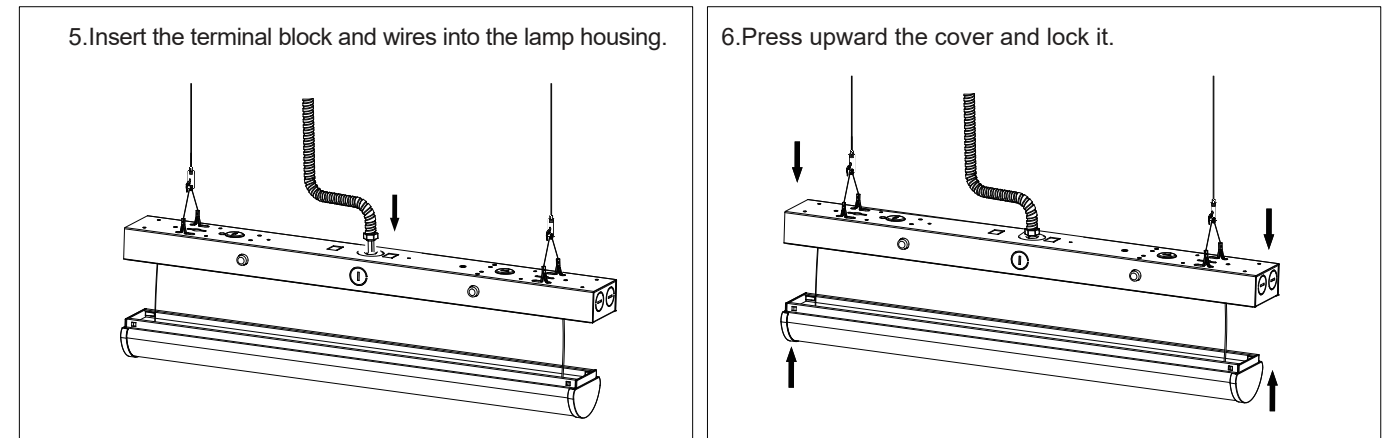
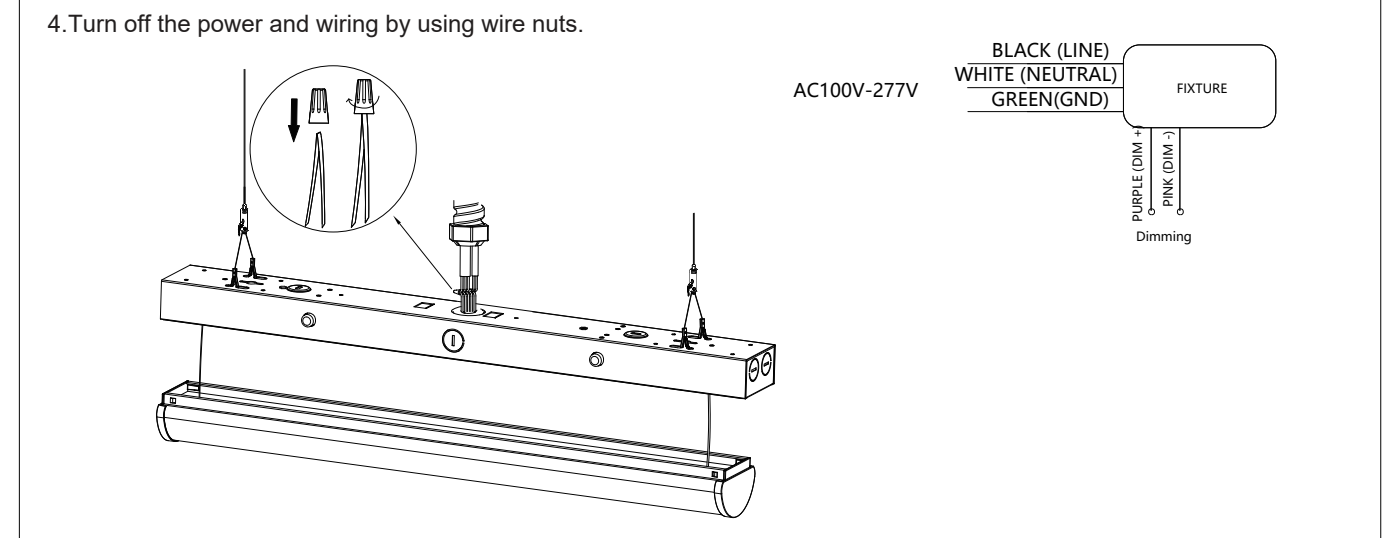
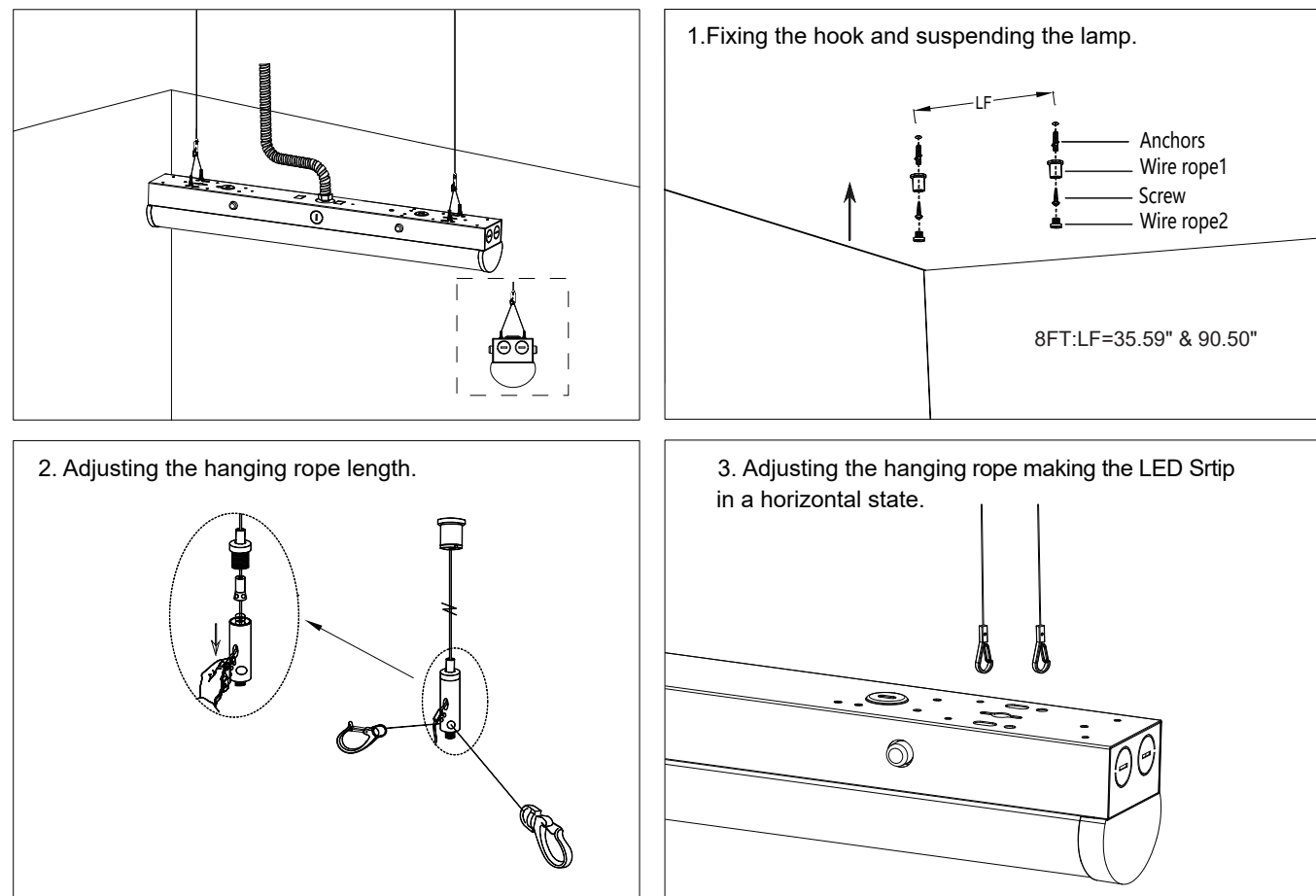
Read this instruction carefully before installation. Keep it for further reference. Make electrical and grounded connections in accordance with the national electrical code and any applicable code. Always turn off the power supply before installation. This product must be installed in accordance with the applicable installation code by a qualified electrician who is familiar with the construction and operation of the product and the hazards involved.

Part No	Power	Input Voltage	Input Current	Luminous Flux	Luminous Efficacy	CCT	Viewing Angle	Ra	PF	Warranty
SS-SP05-8FT64/50/40W-H-TCP(XX)	64W/ 50W/ 40W	AC100-277V	0.704A	8320lm	130lm/W	3500K 4000K 5000K	120°	>80	>0.9	5 Years

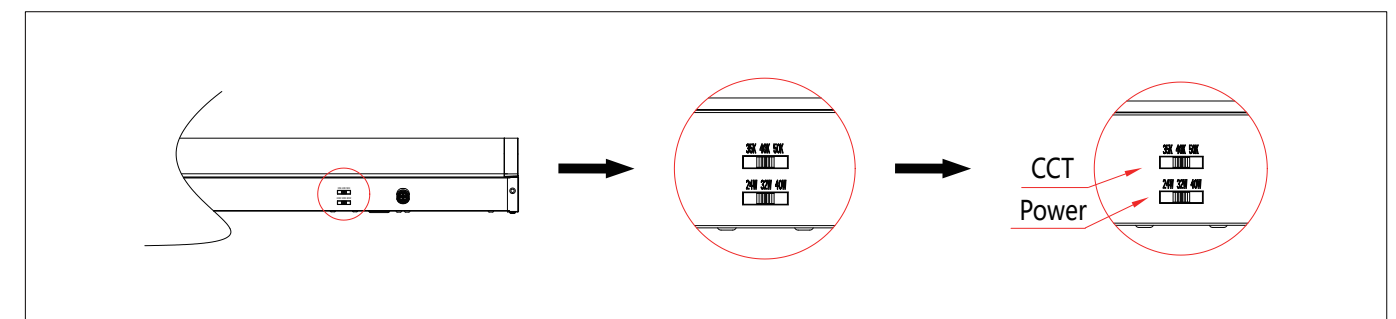
WARNING:

- ⚠ Risk of fire or electric shock. Fixture installation requires knowledge of luminaires electrical systems. If not qualified, DO NOT attempt installation. Contact a qualified electrician.
- ⚠ Risk of fire or electric shock. Suitable for wet locations. Always turn off the power supply before installation. Risk of fire or electric shock. Suitable for non-insulated surface and frame. DO NOT cover fixture with insulation liner or similar material.
- ⚠ DO NOT install fixture on unstable, loose or easily breakable surface. DO NOT exert force on the surface of the fixture.

Suspending installation



CCT&Wattage selectable



The Installation must be carried out by a qualified electrician.