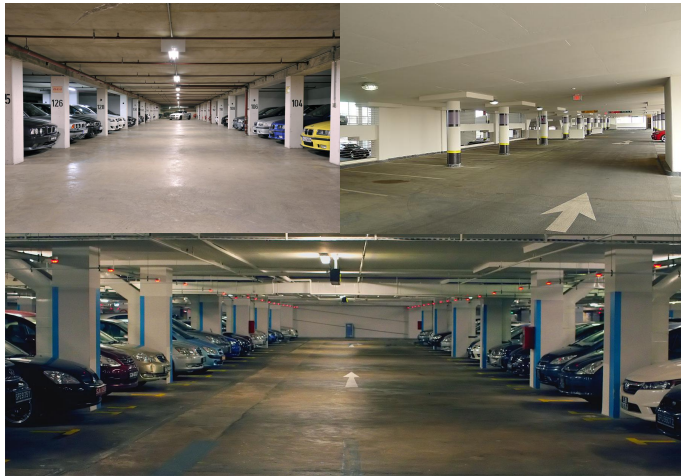




Tanlite Lighting  
 sales@tanlite.com  
 (510)556 0948



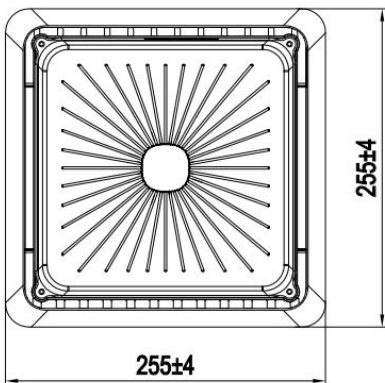
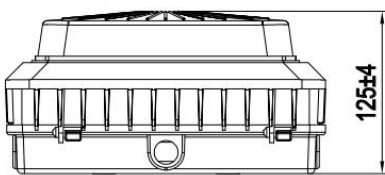
## ADVANTAGE

- UL cUL DLC-V5.1(Premium) certificate.
- IP65 Internal driver, Input voltage 120-277Vac.
- Output constant current lever can be adjusted through output cable with 0-10V.
- No UV or IR in the beam.
- Easy to install and operate.
- Energy saving, Long lifespan.
- Light is soft and uniform, Safe to eyes.
- Instant start, NO flickering, NO humming.
- Green and eco-friendly without mercury.

## APPLICATION

- Widely used in underground parking lot, garage and so on..

## DIMENSIONS



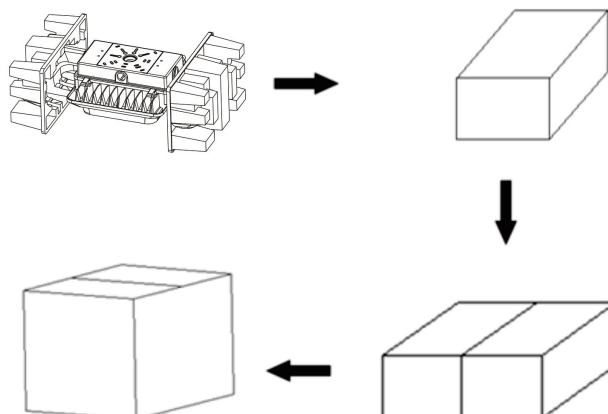
## SPECIFICATIONS

<b>OPTICAL</b>	Input Power (Tolerance : ±10%)	55W
	Color Temperature	3000K    3500K    4000K    4500K    5000K    5700K    6500K
	Lumen (Tolerance : -10%)	7150LM    7205LM    7260LM    7260LM    7315LM    7370LM    7425LM
	Efficacy (Tolerance : -3%)	130LM/W    131LM/W    132LM/W    132LM/W    133LM/W    134LM/W    135LM/W
	CRI	>80
	Color Consistency	<6 Steps (or <6 SDCM)
	BUG	B3-U3-G2
	Diffuser Type	Clear Stripe PC
Beam Angle (50%) (Tolerance : ±15%)	150 Degree	
<b>ELECTRICAL</b>	Input Voltage and Frequency	120-277VAC, 50/60Hz;
	PF (Tolerance : -3%)	≥0.9
	THD (Tolerance : +5%)	≤20%
	Flicker Percent	<60%
	Driver Brand	Daermay
	Driver Model	MP-080T130A
	Driver Surge protection	L/N-PE: 6kV, L-N: 6kV
	Dimming	0-10V dimming standard
<b>MATERIALS</b>	LED Brand	HongLi
	LED Type	SMD2835 (1W)
	LED QTY	98 PCS
	Housing	Die-cast aluminum
	Housing Color	White, or Customized
	Waterproof Rating	WET (IP65)
<b>OTHERS</b>	Operating Temperature	-30°C TO +45°C
	Storage Temperature	-40°C TO 80°C
	Operating Humidity	20% - 90% RH
	Storage Humidity	10%-95% RH
	Warranty	5 years warranty with 24/7 operating hours Luminaire lifetime at 25°C.

## PACKAGE

	Size	Qty/ Carton	Lamps Net Weight	Weight/ Carton
Inner box	305*300*185 MM	1 PC	2.7KG	3.3KG
Outer box	390*315*325 MM	2 PCS	5.4KG	6.6KG

Tolerance of Carton Size: ±15 MM, Tolerance of Weight: ±10%.



## LIGHT DISTRIBUTION TESTING PARAMETERS

## Luminaire Property

Luminaire Manufacturer:  
 Luminaire Category:  
 Lamp Catalog:  
 Number of Lamps:  
 Luminous Length (mm):  
 Luminous Height (mm):  
 Current: 0.645 A  
 Power Factor: 0.994

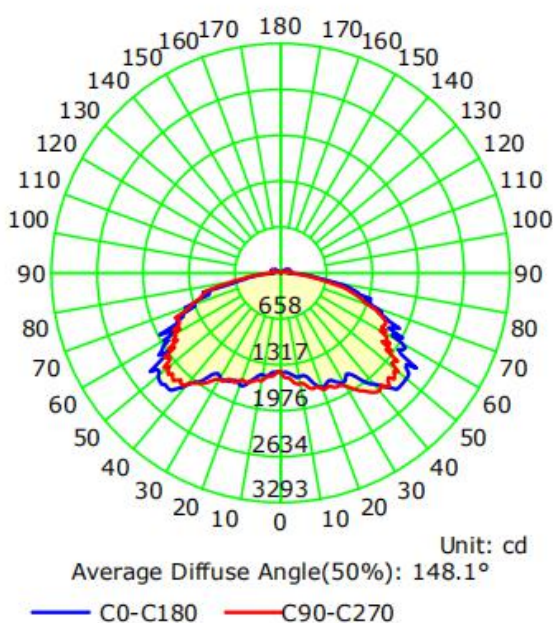
Luminaire Description:  
 Lamp Description:  
 Lumens per Lamp:  
 Luminous Width (mm):  
 Voltage: 120.0 V  
 Power: 76.83 W

## Photometric Results

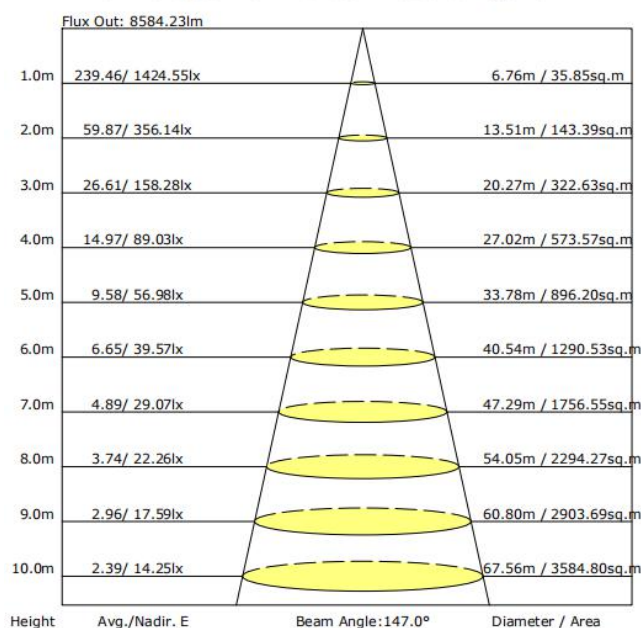
CIE Class: Direct  
 Measurement Flux: 10036.7 lm  
 Downward Ratio: 96%  
 Field Angle(C0/C180,C90/C270,C45/C225,C135/315): 173.6, 174.1, 173.3, 173.8  
 Beam Angle(C0/C180,C90/C270,C45/C225,C135/315): 147.0, 149.2, 139.0, 139.1  
 Luminaire Efficacy Rating (LER): 130.68  
 Max. Intensity: 2634.97 cd  
 S/MH(C0/C180): 2.21

Total Rated Lamp Lumens: 10036.7 lm  
 Efficiency: 100%  
 Upward Ratio: 4%  
 C0r0 Intensity: 1424.55 cd  
 Pos of Max. Intensity: H45 V55  
 S/MH(C90/C270): 2.10

Luminous Intensity Distribution Curve



The Average Illuminance Effective Figure



## NOTICE FOR USER

- Please turn off power before install or change assembly parts.
- The input voltage and lamps should be matched, after connecting the power line, Please make sure the wiring section is insulated.
- No-professionals, must not install and disassemble the lamps.

## TROUBLE SHOOTINGS

Troubles	Check points
Flickering of the light	Turn off the power and turn on again in 3 minutes. If same phenomena occur, then call agencies.
Out of working	Please check the connection.