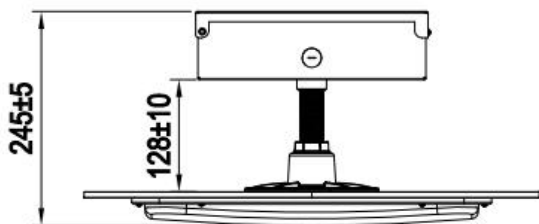
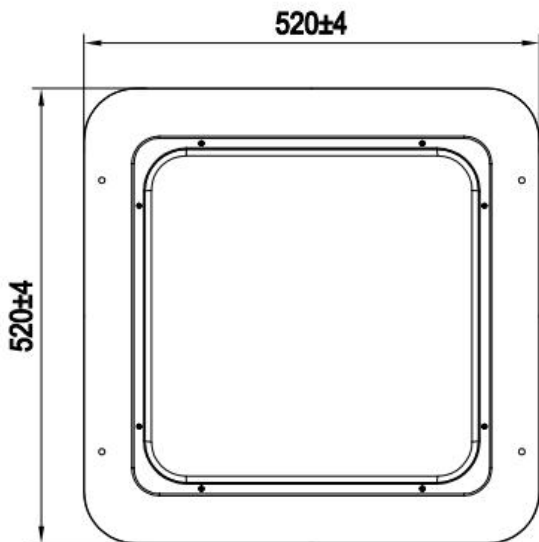




ADVANTAGE

- UL cUL DLC-V5.1(Premium) certificate.
- IP65 driver, input voltage 120-277VAC.
- No UV or IR in the beam.
- Easy to install and operate.
- Energy saving, long lifespan.
- Light is soft and uniform, safe to eyes.
- Instant start, NO flickering, NO humming.
- Green and eco-friendly without mercury.

DIMENSIONS



APPLICATION

- Widely used in gas station, service station, underground parking lot, warehouse, garage;
- Work floor, factory and so on.

SPECIFICATIONS

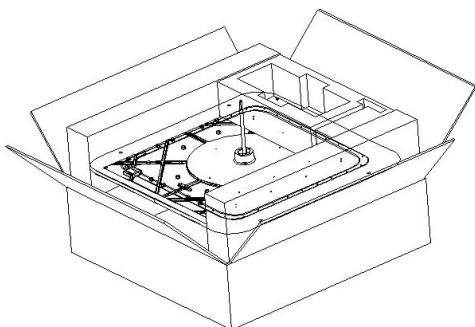
OPTICAL	Input Power (Tolerance : $\pm 10\%$)	240W			
	Color Temperature	4000K	4500K	5000K	5700K
	Lumen (Tolerance : -10%)	34448LM	34612LM	34776LM	35103LM
	Efficacy (Tolerance : -3%)	142LM/W	143LM/W	144LM/W	145LM/W
	CRI	>80			
	Color Consistency	<6 Steps (or <6 SDCM)			
	BUG	B5-U3-G3			
	Diffuser Type	Frosted lens			
	Beam Angle (50%) (Tolerance : $\pm 15\%$)	110 Degree			
ELECTRICAL	Input Voltage and Frequency	120-277VAC, 50/60Hz;			
	PF (Tolerance : -3%)	≥ 0.9			
	THD (Tolerance : $+5\%$)	$\leq 20\%$			
	Flicker Percent	<5%			
	Driver Brand	SOSEN			
	Driver Model	SS-240VA-56B			
	Driver Surge protection	L/N-PE: 10kV, L-N: 6kV			
	Dimming	1-10V dimming standard			
MATERIALS	LED Brand	HongLi			
	LED Type	SMD2835 (0.5W)			
	LED QTY	1500 PCS			
	Housing	Die-cast aluminum			
	Housing Color	White, or Customized			
	Waterproof Rating	WET (IP65)			
OTHERS	Operating Temperature	-40°C TO $+40^{\circ}\text{C}$			
	Storage Temperature	-40°C TO 80°C			
	Operating Humidity	20% - 90% RH			
	Storage Humidity	10%-95% RH			
	Warranty	5 years warranty with 24/7 operating hours Luminaire lifetime at 25°C .			

PACKAGE

Lamp Net Weight: 7.5 KG/PC

	Size	Qty/ Carton	Weight/ Carton
Outer box	560*560*160 MM	1 PC	8.6 KG

Tolerance of Carton Size: ± 15 MM, Tolerance of Weight: $\pm 10\%$.



LIGHT DISTRIBUTION TESTING PARAMETERS

Luminaire Property

Luminaire Manufacturer:
 Voltage: 120.0 V
 Power: 241.62 W

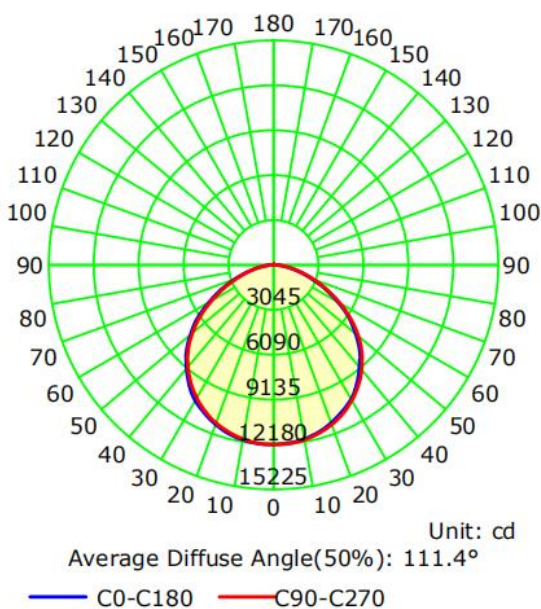
Current: 2.017 A
 Power Factor: 0.998

Photometric Results

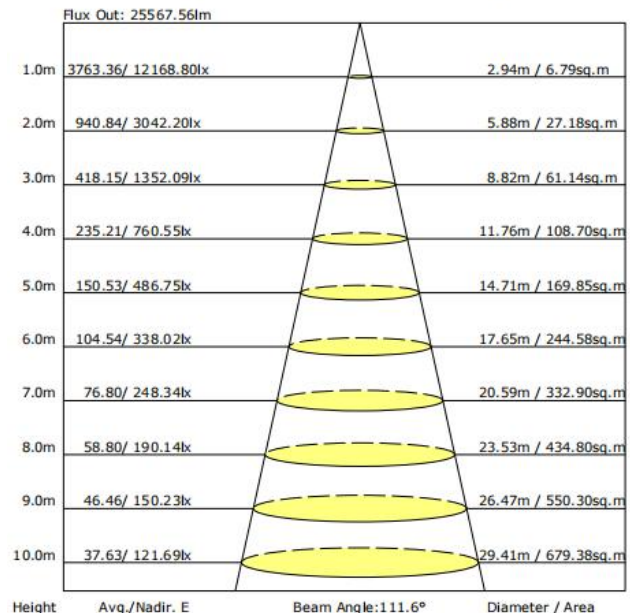
IES Classification: Type II
 Total Rated Lamp Lumens: 34448.5 lm
 Efficiency: 100%
 Upward Ratio: 1%
 Central Intensity: 12168.8 cd
 Pos of Max. Intensity: H157.5 V2

Longitudinal Classification: Very Short
 Measurement Flux: 34448.5 lm
 Downward Ratio: 99%
 Luminaire Efficacy Rating (LER): 142.62
 Max. Intensity: 12180.15 cd

Luminous Intensity Distribution Curve



The Average Illuminance Effective Figure



NOTICE FOR USER

- Please turn off power before install or change assembly parts.
- The input voltage and lamps should be matched, after connecting the power line, Please make sure the wiring section is insulated.
- No-professionals, must not install and disassemble the lamps.

TROUBLE SHOOTINGS

Troubles	Check points
Flickering of the light	Turn off the power and turn on again in 3 minutes. If same phenomena occur, then call agencies.
Out of working	Please check the connection.