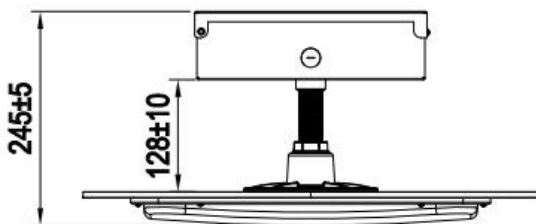
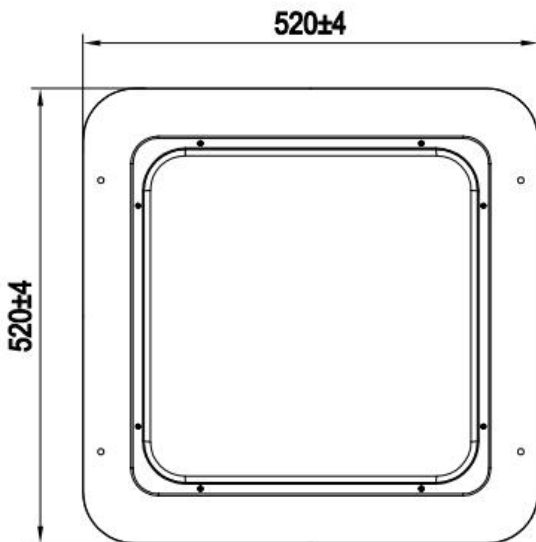




## ADVANTAGE

- UL cUL DLC-V5.1(Premium) certificate.
- IP65 driver, input voltage 120-277VAC.
- No UV or IR in the beam.
- Easy to install and operate.
- Energy saving, long lifespan.
- Light is soft and uniform, safe to eyes.
- Instant start, NO flickering, NO humming.
- Green and eco-friendly without mercury.

## DIMENSIONS



## APPLICATION

- Widely used in gas station, service station, underground parking lot, warehouse, garage;
- Work floor, factory and so on.

## SPECIFICATIONS

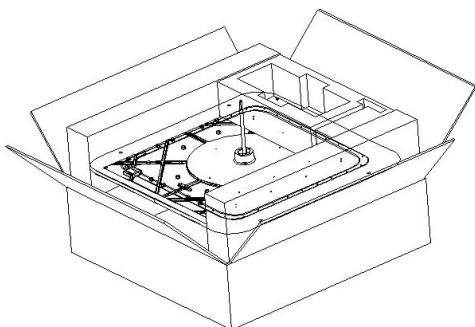
<b>OPTICAL</b>	Input Power (Tolerance : ±10%)	180W			
	Color Temperature	4000K	4500K	5000K	5700K
	Lumen (Tolerance : -10%)	25403LM	25411LM	25420LM	25428LM
	Efficacy (Tolerance : -3%)	140LM/W	140LM/W	140LM/W	140LM/W
	CRI	>80			
	Color Consistency	<6 Steps (or <6 SDCM)			
	BUG	B4-U3-G3			
	Diffuser Type	Frosted lens			
	Beam Angle (50%) (Tolerance : ±15%)	110 Degree			
<b>ELECTRICAL</b>	Input Voltage and Frequency	120-277VAC, 50/60Hz;			
	PF (Tolerance : -3%)	≥0.9			
	THD (Tolerance : +5%)	≤20%			
	Flicker Percent	<5%			
	Driver Brand	SOSEN			
	Driver Model	SS-200VA-56B			
	Driver Surge protection	L/N-PE: 10kV, L-N: 6kV			
	Dimming	1-10V dimming standard			
<b>MATERIALS</b>	LED Brand	HongLi			
	LED Type	SMD2835 (0.5W)			
	LED QTY	1095 PCS			
	Housing	Die-cast aluminum			
	Housing Color	White, or Customized			
	Waterproof Rating	WET (IP65)			
<b>OTHERS</b>	Operating Temperature	-40°C TO +45°C			
	Storage Temperature	-40°C TO 80°C			
	Operating Humidity	20% - 90% RH			
	Storage Humidity	10%-95% RH			
	Warranty	5 years warranty with 24/7 operating hours Luminaire lifetime at 25°C.			

## PACKAGE

**Lamp Net Weight: 7.86 KG/PC**

	Size	Qty/ Carton	Weight/ Carton
Outer box	560*560*160 MM	1 PC	9.2 KG

Tolerance of Carton Size: ±15 MM, Tolerance of Weight: ±10%.



## LIGHT DISTRIBUTION TESTING PARAMETERS

### Luminaire Property

Luminaire Manufacturer:  
 Luminaire Category:  
 Lamp Catalog:  
 Number of Lamps:  
 Luminous Length (mm):  
 Luminous Height (mm):  
 Current: 1.511 A  
 Power Factor: 0.997

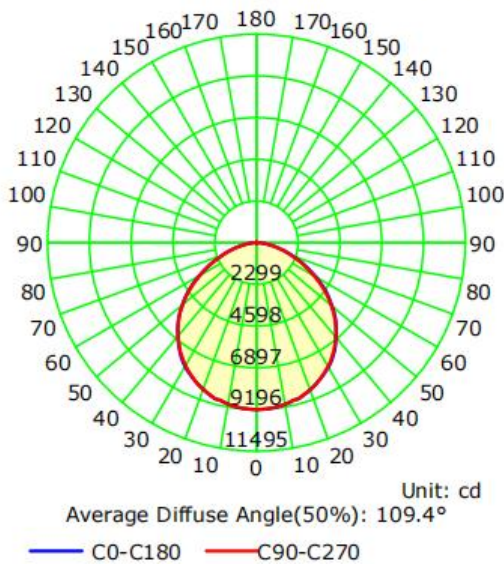
Luminaire Description:  
 Lamp Description:  
 Lumens per Lamp:  
 Luminous Width (mm):  
 Voltage: 120.0 V  
 Power: 180.79 W

### Photometric Results

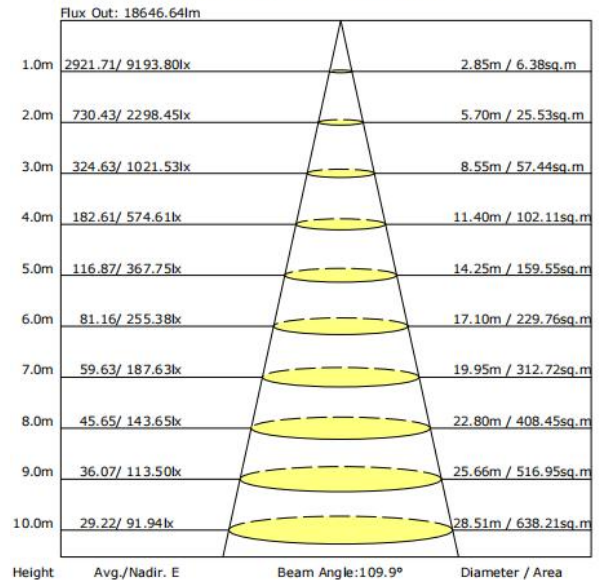
IES Classification: Type II  
 Total Rated Lamp Lumens: 25403.3 lm  
 Efficiency: 100%  
 Upward Ratio: 0%  
 C0r0 Intensity: 9193.8 cd  
 Pos of Max. Intensity: H315 V1

Longitudinal Classification: Very Short  
 Measurement Flux: 25403.3 lm  
 Downward Ratio: 100%  
 Luminaire Efficacy Rating (LER): 140.56  
 Max. Intensity: 9196.3 cd

Luminous Intensity Distribution Curve



The Average Illuminance Effective Figure



### NOTICE FOR USER

- Please turn off power before install or change assembly parts.
- The input voltage and lamps should be matched, after connecting the power line, Please make sure the wiring section is insulated.
- No-professionals, must not install and disassemble the lamps.

### TROUBLE SHOOTINGS

Troubles	Check points
Flickering of the light	Turn off the power and turn on again in 3 minutes. If same phenomena occur, then call agencies.
Out of working	Please check the connection.