

Oval LED Emergency Wall Pack Light



Date:..... Location:

Product:..... Project:.....

Quantity:..... Catalog#

FEATURES

- Die-cast aluminum housing
- Polycarbonate lens and mirror reflector
- UL-94V-0 flame rating, fire-resistant
- IP65 protection
- Power consumption: 4.8W max
- Output: Super bright COB LED 12W
- 956lm for general mode
- 433lm for emergency mode
- 4.8V 1800mAh Nickel Cadmium Battery
- Backup time: >90minutes
- Charging time: 24 hours
- Overcharge & Over-discharge protection
- Conversion time: <0.2second
- Operating temperature: -10°C~40°C
- Dimension: 26.5x16x9.8CM

PERFORMANCE

Model NO	Emergency Duration	Wattage	Voltage/Current Input		Lumen Efficiency	Kelvin Options
			120V	277V		
TL-EW-12W	90 minutes	12W	0.14A	0.05A	100LM/W	5000K

Special functions



- 1、 When the power supply system is out of power, the lamps start the emergency system to turn on the lights, and the duration can be up to 90 minutes.
- 2、 The lamp has a light-sensing function, when the light < 3FC lamps are automatically turned on, and the light > 3FC lamps are automatically turned off

Electric Characteristic

Model NO	Input voltage	Color Temperature	Efficiency	Power		CRI	Light Efficiency	Working temperature	Certificate
				Input power	Empower				
TL-EW-12W	120-277V/AC	5000K	100LM/W	12W	4W	>72	87D	-10°C+40°C	UL

PRODUCT ORDERING GUIDE

TL EW 12W
1 2 3

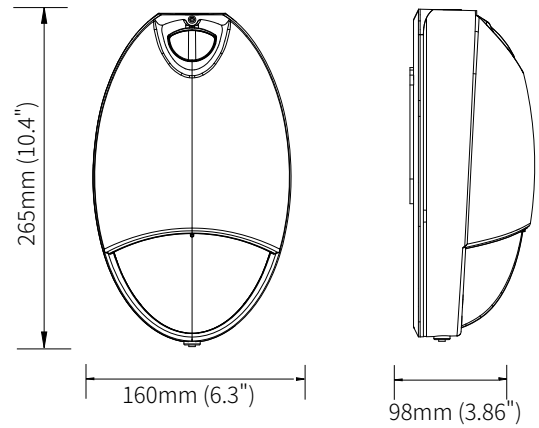
TL - EW 12W

TL TANLITE

EW Emergency Wall Pack

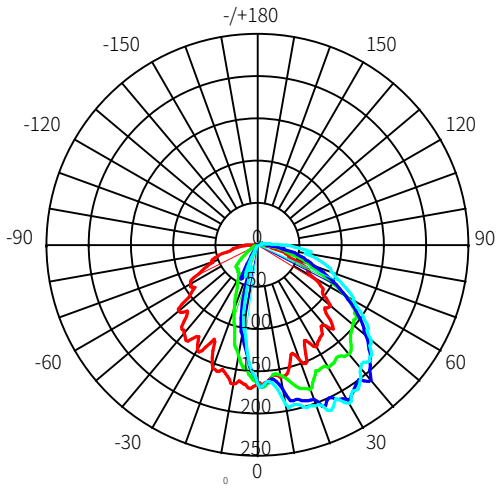
12W Power 12W

DIMENSION



DIMENSION

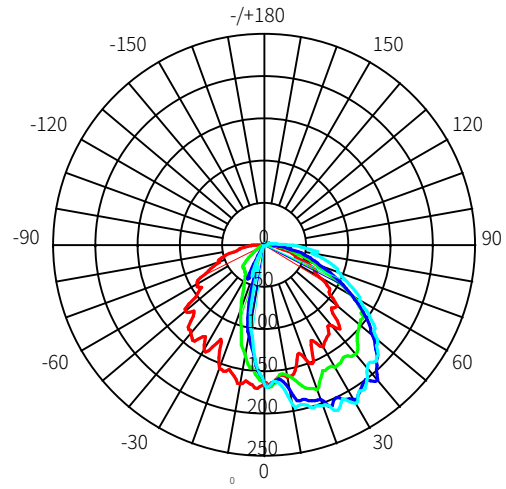
LSEW12W Input Power



AVERAGE BEAM ANGLE(50%): 86.4°

UNIT:CD
 Test Number:LSEW12W — C0/180,120.1
 Lumens:1200LM — C30/210,120.9
 Test Number:12W — C60/240,111.3
 Test Number:5000K — C90/270,131.4

TLEW12W Empower



AVERAGE BEAM ANGLE(50%): 86.4°

UNIT:CD
 Test Number:LSEW12W — C0/180,120.1
 Lumens:400LM — C30/210,120.9
 Test Number:4W — C60/240,111.3
 Test Number:5000K — C90/270,131.4