



**NAME:** Rotating work light

**P/N:** RW01-30WXYZNO-ab

**Note:**

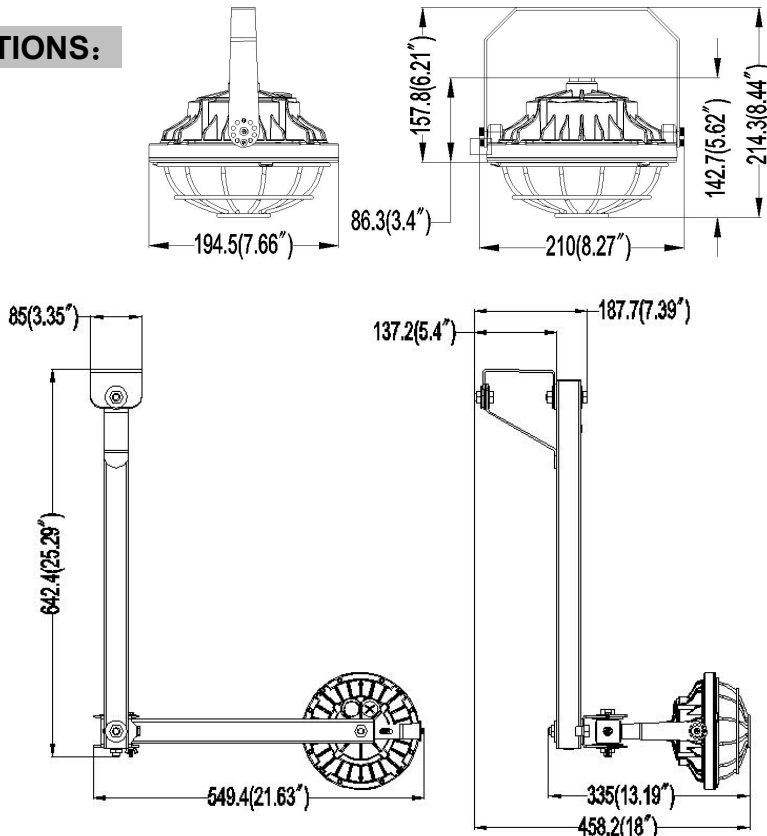
1. The "X" stands for LED manufactory.
2. The "Y" stands for different types of glass lampshades. Such as: MS=Matte spherical glass, BL=Blue, YH=Yellow.
3. The "Z" can be "D" or "G". "G" for CCT untunable (No CCT Switch), "D" for CCT tunable (CCT Switch provided).
4. The "N" can be "S" or blank, represents "with Guard" or "without Guard".
5. The "O" can be "F" or blank, represents "ON/OFF Switch provided" or "No ON/OFF Switch".
6. The "a" can be any two letters to represent color of luminaire.
7. The "b" can be any digits for CCT.

### Advantage:

- IP65, input voltage 120-277VAC.
- No UV or IR in the beam.
- Easy to install and operate.
- Energy saving, long lifespan.
- Light is soft and uniform, safe to eyes.
- Instant start, NO humming.
- Green and eco-friendly without mercury.
- Color tunable adjustable.
- ON/OFF function.

### CERTIFICATIONS:

- UL 1598.
- UL 8750.



### Application:

- Dock, navigation opening ;
- Storage rack, storehouse, etc ;

# TECHNICAL DATA SHEET

## Product Specifications

Product name	Rotating work light
Part No	RW01-30WXYZNO-ab
Dimension	210*194.5*214.3 mm or 8.27"*7.66"*8.44"

## Technical Characteristic

Color temperature	3000K-6500K or 3000K/4000K/5000K (CCT adjustable)		
CRI	>80		
Cover	Flat glass	Flat glass+Lens	Flat glass+Lens + Guard
Lumen	≥4140 LM	≥4050 LM	≥3690 LM
Lumen Efficacy	≥138 LM/W	≥135 LM/W	≥123 LM/W
Viewing Angle	80° /110°		
Input Power	30W		
Input Voltage	120-277VAC 50/60Hz		
Driver Brand	China Brand Driver (L/N-PE: 4KV L-N: 4KV)		
PF	>0.9		
THD	/		
Waterproof Rating	WET (IP65)		
Dimming	/		

## Materials

LED Brand/ LED Type	Lumileds / SMD2835 (1W)
LED QTY	72PCS (untunable) or CCT tunable (3000K)72PCS+(5000K)72PCS
Housing	Aluminum Alloy
Housing color	Any Colors
Cover	Glass

## Others

Operating Temperature	-40℃ TO 45℃
Operating Humidity	10%-90% RH
Storage Temperature	-40℃ TO 80℃
Storage Humidity	10%-95% RH
Application	Indoor/Outdoor
Safety Certification	UL/cUL
Warranty Time	5 Years

# TECHNICAL DATA SHEET

## Package

		Matte U-shape glass	Matte U-shape glass + guard
Lamps Net Weight			
Outer box	size		
	Qty/ Carton	PCS	
	Weight/Carton		

## Notice For User

- ◆ when installing the conduit, remove the compression nut on the screw thread of the lamp. Requirement of waterproof for fixture connection and requirement of conduit system connection should according to the local regulations.
- ◆ Please turn off power before install or change assembly parts.
- ◆ The input voltage and lamps should be matched, after connecting the power line, Please make sure the wiring section is insulated.
- ◆ No-professionals, must not install and disassemble the lamps.

## Trouble Shootings

Troubles	Check points
Flickering of the light	Turn off the power and turn on again in 3 minutes. If same phenomena occur, then call agencies.
Out of working	Please check the connection.