

# TANLITE LED Retrofit Kit

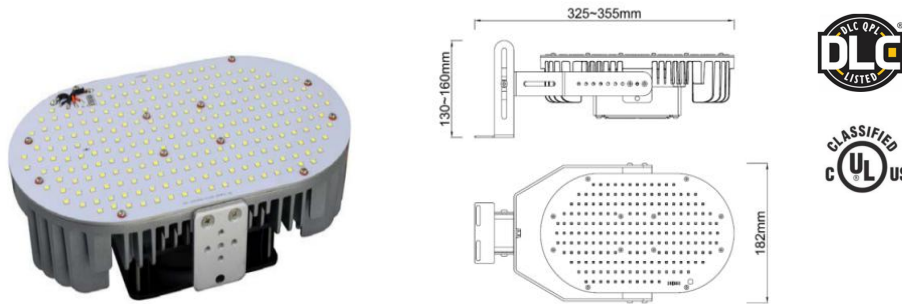


## Project Information

Type	_____
Name	_____
Voltage	_____

### Product Description

TANLITE LED Retrofit kit has a high utilization rate design intended for outdoor or indoor applications, combines the latest in LED technology including weathertight IP65 LED driver and thermal management. high-performance illumination that lasts 100,000HRS It's ideal for replacing 150-1500W Metal Halide, with typical energy savings of 90%.



### Performance Summary

- PHILIP LED SOURCE
- SUNON fan
- Mean Well IP65 driver
- Input voltage 100-277VAC
- No UV or IR in the beam
- CRI: Minimum 75RA.
- CCT: 4000K, 5000K,(+/- 300K)
- Limited Warranty: 5 years on luminaire
- AUTO-Dimmable Function

### Applications:

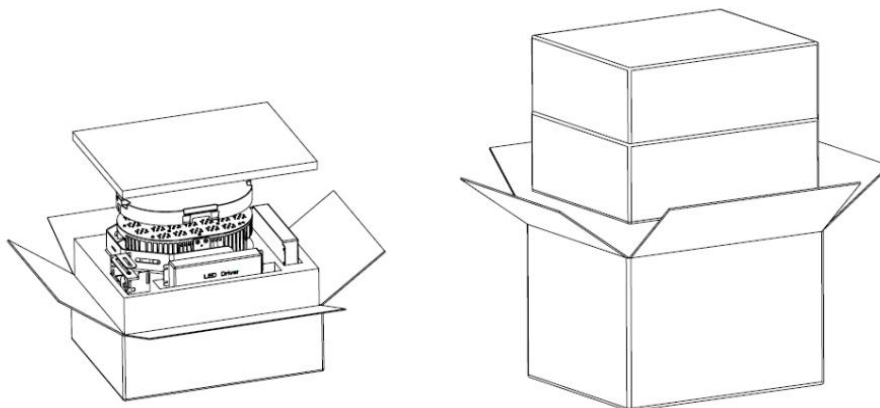
General area and security lighting

### Ordering Information

Example: TE-RKPUS-200WD2-50K

Product	Power	Replacement	Color Temperature	Package Size
TE-RKPUS-200WD2	200W	400-450W MH/HPS	40K 4000K 50K 5000K	65*42*31CM 4PCS/BOX
TE-RKPUS-240WD2	240W	600-750W MH/HPS		65*42*31CM 4PCS/BOX
TE-RKPUS-300WD2	300W	1000W MH/HPS		51*40*36CM 2PCS/BOX
TE-RKPUS-400WD2	400W	1200W MH/HPS		51*40*36CM 2PCS/BOX
TE-RKPUS-480WD2	480W	1500W MH/HPS		51*40*36CM 2PCS/BOX

### Package:



# TANLITE LED Retrofit Kit

## CONSTRUCTION & MATERIALS

Aluminum heat sink WITH SUNON Fan behind led on the fixture,waterproof IP65 LED driver

## Electric Characteristic:

LPW: Lumen/Watt:	120-125lm/W
LIGHTING DISTRIBUTION:	TYPE IV
Working Environment Temperature: -30~+60°C	
Junction Temperature:	< 75°
Ambient Humidity:	90%
Total Harmonic Distortion:	≤10%
Lamp's Efficiency:	≥90%

## Lumen Output:

Power	40K 75CRI	50K 75CRI
200W	24000LM (LPW 120)	25000LM (LPW 125)
240W	28800LM (LPW 120)	30000LM (LPW 125)
300W	36000LM (LPW 120)	37500LM (LPW 125)
400W	48000LM (LPW 120)	50000LM (LPW 125)
480W	57600LM (LPW 120)	60000LM (LPW 125)

## Certificates:

CE: EN55015,EN61547,EN61000,EN60968,EN62471

ROHS LISTED

UL/CUL DLC LISTED

## Projected LED Lumen Maintenance

Data references the extrapolated performance projections for the LED platform in a 25°C ambient, based on 10,000 hours of LED testing (tested per IESNA LM-80-08 and projected per IESNA TM-21-11).

Operating hours	0		25000
Lumen maintenance	1		0.91

For complete report, contact sales representative

## After Service:

The product refers to electricians knowledge. Please don't disassemble it by yourself. If any quality problem happens, please contact the factory, for warranty details, contact factory.

NOTE: Actual performance may differ as a result of end-user environment and application. All values are design or typical values, measured under laboratory conditions at 25°C. Specifications subject to change without notice.