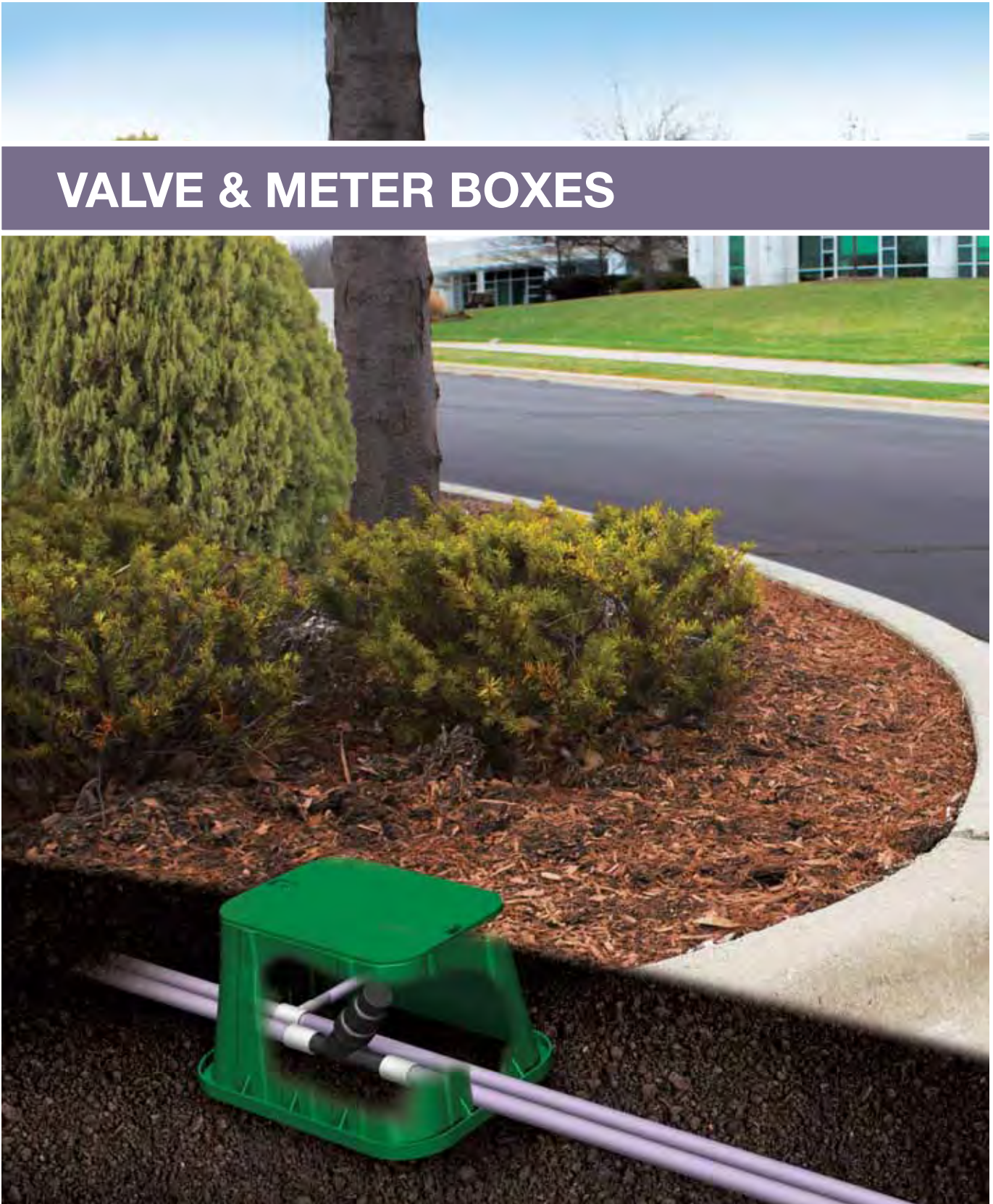


# VALVE & METER BOXES

VALVE BOXES



# NDS PRO SERIES VALVE BOXES – NEXT GENERATION COMMERCIAL GRADE

## Pro Series Valve Boxes by NDS

- Engineered specifically for the professional contractor and heavy-duty use
- Superior strength for commercial and utility applications

### Details

- Thicker wall dimensions for increased strength and durability
- Reinforced covers for heavier loads
- Reinforced ribs offer exceptional sidewall strength
- Stainless steel nut on boxes for bolt-down capability

### Materials and Standards

- High-impact, high-density structural foam polyethylene construction
- Overlapping covers prevent dirt and grass from settling in between body and cover
- UV inhibitors prevent discoloration and cracking

## NDS Pro Series 6" Round Valve Boxes

**Specifications:** The NDS PRO SERIES 6" round body is tapered and has a minimum wall thickness of 0.200". The body has a double wall at the top cover seat area with a minimum thickness of 0.130". The bottom of the body has a 0.250" flange. The 6" round cover has an average thickness of 0.187".

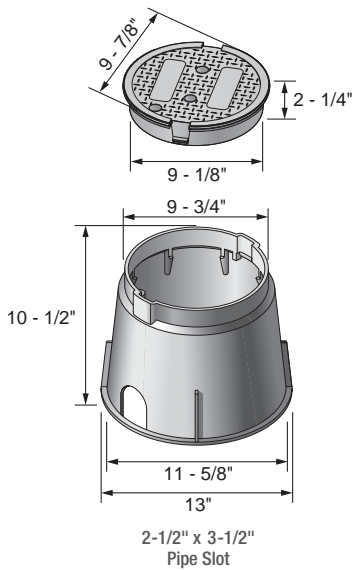


Part No.	Description - Marking	Color (Box/Cover)	Pallet Qty.	Wt. Ea. lbs.	Product Class
<b>Box &amp; Cover</b>					
208BC	6" Round Box, Round Overlapping Cover - ICV	Green/Green	250	1.50	20PR
208BCW	6" Round Box, Round Overlapping Cover - Water	Green/Green	250	1.50	20PR
208BCS	6" Round Box, Round Overlapping Cover - Sewer	Green/Green	250	1.50	20PR
<b>Cover Only</b>					
107C	6" Round Overlapping Cover - ICV	Green	800	0.40	20ND
107CW	6" Round Overlapping Cover - Water	Green	800	0.40	20NM
107CS	6" Round Overlapping Cover - Sewer	Green	800	0.40	20nm
<b>Box Only</b>					
208B	6" Round Box	Green	250	1.10	20PR

## NDS PRO SERIES VALVE BOXES – NEXT GENERATION COMMERCIAL GRADE

### NDS Pro Series 10" Round Valve Boxes

**Specifications:** The NDS PRO SERIES 10" round body is tapered and has a minimum wall thickness of 0.250". The cover seat area has 8 structural support ribs on the underside of the seat, each with a minimum thickness of 0.250". The bottom of the body has a 0.500" flange. The 10" round cover has an average thickness of 0.300". The valve box has a 3/8" 304 SS nut for the bolt-down as a standard feature.

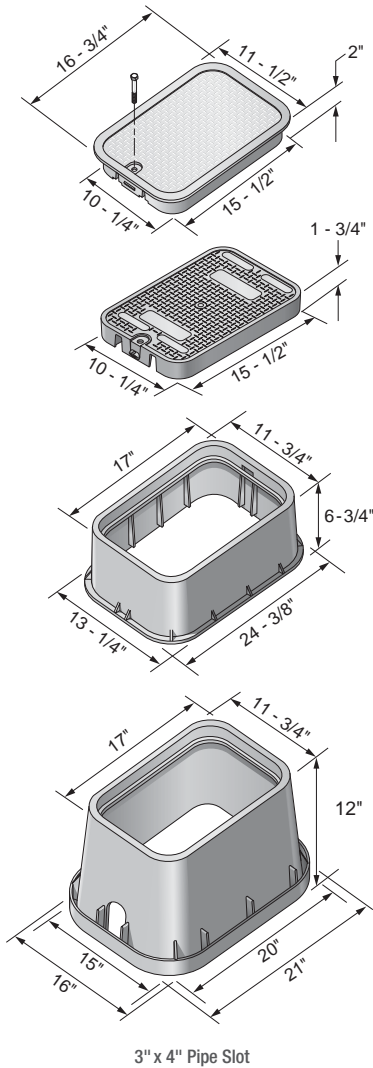


Part No.	Description - Marking	Color (Box/Cover)	Pallet Qty.	Wt. Ea. lbs.	Product Class
<b>Box &amp; Cover</b>					
212BC	10" Round Box, Round Overlapping Cover - ICV	Green/Green	120	4.50	20PR
212BCB	10" Round Box, Round Overlapping Bolt-Down Cover - ICV	Green/Green	120	4.60	20PR
211BCBLK	10" Round Box, Round Overlapping Cover - ICV	Black/Black	120	4.50	20PR
211PBCR	10" Round Box, Round Overlapping Cover - Reclaimed Water	Purple/Purple	120	4.50	20PR
212BCW	10" Round Box, Round Overlapping Cover - Water	Green/Green	120	4.50	20PR
212BCBW	10" Round Box, Round Overlapping Bolt-Down Cover - Water	Green/Green	120	4.60	20PR
212BCS	10" Round Box, Round Overlapping Cover - Sewer	Green/Green	120	4.50	20PR
212BCBS	10" Round Box, Round Overlapping Bolt-Down Cover - Sewer	Green/Green	120	4.60	20PR
212BC ELEC	10" Round Box, Round Overlapping Cover - Electrical	Gray/Gray	120	4.50	20PR
212BCB ELEC	10" Round Box, Round Overlapping Bolt-Down Cover - Electrical	Gray/Gray	120	4.60	20PR
<b>Cover Only</b>					
211C	10" Round Overlapping Cover - ICV	Green	200	1.50	20PR
211CR	10" Round Overlapping Cover - Reclaimed Water	Purple	200	1.50	20PR
211CRG	10" Round Overlapping Cover - Reclaimed Water	Green	200	1.50	20PR
211C BLK	10" Round Overlapping Cover - ICV	Black	200	1.50	20PR
211CW	10" Round Overlapping Cover - Water	Black	200	1.50	20PR
211CS	10" Round Overlapping Cover - Sewer	Green	200	1.50	20PR
211C ELEC	10" Round Overlapping Cover - Electrical	Gray	200	1.50	20PR
<b>Box Only</b>					
212B	10" Round Box	Green	120	3.00	20PR
212PB	10" Round Box	Purple	120	3.00	20PR
212B BLK	10" Round Box	Black	120	3.00	20PR
212B GRAY	10" Round Box	Gray	120	3.00	20PR
113BB	2-1/2" x 3/8" SS Bolt	Steel	(Bag of 10)	0.10	20NM

# NDS PRO SERIES VALVE BOXES – NEXT GENERATION COMMERCIAL GRADE

## NDS Pro Series 14" x 19" Rectangular Valve Boxes

**Specifications:** The NDS PRO SERIES 14" x 19" body is tapered and has a minimum wall thickness of 0.200". The body has a double wall at the top cover seat area with a minimum thickness of 0.250". The cover seat area has 16 structural support ribs on the underside of the seat, each with a minimum thickness of 0.250". The bottom of the body has a 0.500" flange. The 14" x 19" cover has an average thickness of 0.300". The valve box has a 3/8" 304 SS nut for the bolt-down as a standard feature.

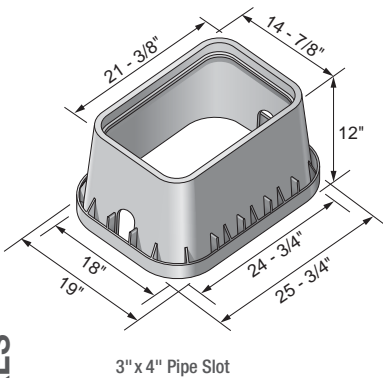
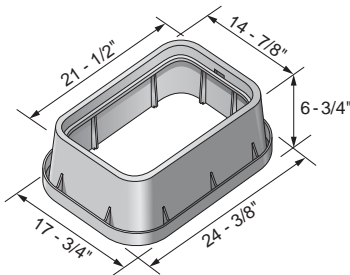
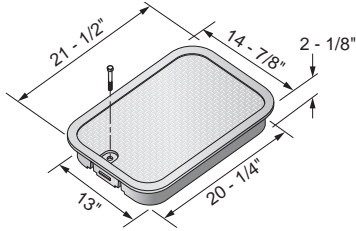


Part No.	Description - Marking	Color (Box/Cover)	Pallet Qty.	Wt. Ea. lbs.	Product Class
<b>Box &amp; Cover</b>					
214BC	14" x 19" Box, Overlapping Cover - ICV	Green/Green	78	9.00	20PR
213BCBLK	14" x 19" Box, Overlapping Cover - ICV	Black/Black	78	9.00	20PR
216	14" x 19" x 6" Extension, Overlapping Cover - ICV	Green/Green	49	9.00	20PR
216BCB	14" x 19" x 6" Extension, Overlapping Bolt-Down Cover - ICV	Green/Green	49	9.10	20PR
213PBCR	14" x 19" Box, Overlapping Cover - Reclaimed Water	Purple/Purple	78	9.00	20PR
214BCW	14" x 19" Box, Overlapping Cover - Water	Green/Green	78	10.30	20PR
214BCS	14" x 19" Box, Overlapping Cover - Sewer	Green/Green	78	9.00	20PR
214BCB ELEC	14" x 19" Box, Overlapping Bolt-Down Cover - Electrical	Gray/Gray	78	9.10	20PR
<b>Cover Only</b>					
213C	14" x 19" Overlapping Cover - ICV	Green	300	2.50	20PR
213CB	14" x 19" Overlapping Cover - ICV	Black	300	2.50	20PR
213CW	14" x 19" Overlapping Cover - Water	Green	300	2.50	20PR
213CS	14" x 19" Overlapping Cover - Sewer	Green	300	2.50	20PR
213C ELEC	14" x 19" Overlapping Cover - Electrical	Green	300	2.50	20PR
<b>Box Only</b>					
214B	14" x 19" Box	Green	78	6.00	20PR
214-6	14" x 19" x 6" Extension	Green	49	4.00	20PR
214B CAL	14" x 19" Box w/ No Holes	Green	78	6.00	20PR
214B GRAY	14" x 19" Box	Gray	78	6.00	20PR
113BB	2-1/2" x 3/8" SS Bolt	Steel	(Bag of 10)	0.10	20NM

## NDS PRO SERIES VALVE BOXES – NEXT GENERATION COMMERCIAL GRADE

### NDS Pro Series 13" x 20" Jumbo Rectangular Valve Boxes

**Specifications:** The NDS PRO SERIES 13" x 20" body is tapered and has a minimum wall thickness of 0.250". The body has a double wall at the top cover seat area with a minimum thickness of 0.250". The cover seat area has 16 structural support ribs on the underside of the seat, each with a minimum thickness of 0.250". The bottom of the body has a 0.500" flange. The 13" x 20" cover has an average thickness of 0.250". The valve box has a 3/8" 304 SS nut for the bolt-down as a standard feature.

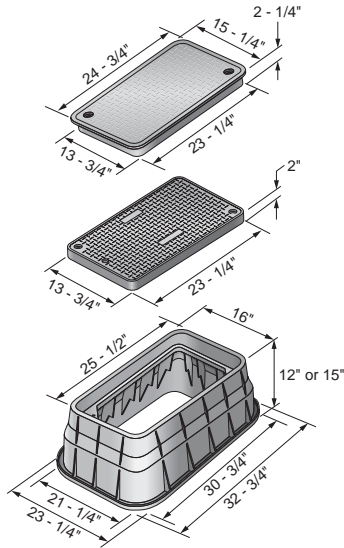


Part No.	Description - Marking	Color (Box/Cover)	Pallet Qty.	Wt. Ea. lbs.	Product Class
<b>Box &amp; Cover</b>					
218BC	13" x 20" Jumbo Box, Overlapping Cover - ICV	Green/Green	56	14.00	20PR
218BCB	13" x 20" Jumbo Box, Overlapping Bolt-Down Cover - ICV	Green/Green	56	14.10	20PR
220	13" x 20" x 6" Jumbo Extension, Overlapping Cover - ICV	Green/Green	32	11.00	20PR
217PBCR	13" x 20" Jumbo Box, Overlapping Cover - Reclaimed Water	Purple/Purple	56	14.00	20PR
218BCW	13" x 20" Jumbo Box, Overlapping Cover - Water	Green/Green	56	14.00	20PR
218BCS	13" x 20" Jumbo Box, Overlapping Cover - Sewer	Green/Green	56	14.00	20PR
218BCBS	13" x 20" Jumbo Box, Overlapping Bolt-Down Cover - Sewer	Green/Green	56	14.10	20PR
<b>Cover Only</b>					
217C	13" x 20" Overlapping Cover - ICV	Green	180	5.00	20PR
217CW	13" x 20" Overlapping Cover - ICV - Water	Green	180	5.00	20PR
217CS	13" x 20" Jumbo Overlapping Cover - Sewer	Green	180	5.00	20PR
217CR	13" x 20" Jumbo Overlapping Cover - Reclaimed Water	Purple	180	5.00	20PR
<b>Box Only</b>					
218B	13" x 20" Jumbo Box	Green	56	9.00	20PR
218-6	13" x 20" x 6" Jumbo Extension	Green	32	6.00	20PR
113BB	2-1/2" x 3/8" SS Bolt	Steel	(Bag of 10)	0.10	20NM

# NDS PRO SERIES VALVE BOXES – COMMERCIAL GRADE

## NDS Pro Series 13" x 24" Rectangular Valve Boxes

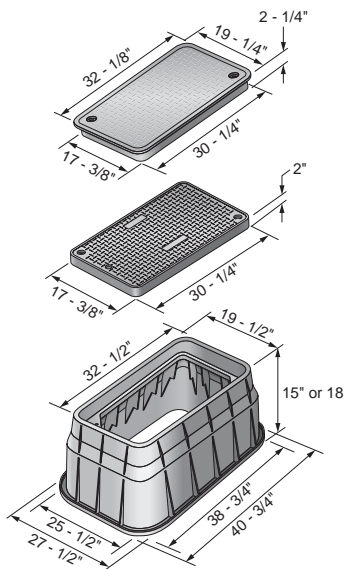
**Specifications:** The NDS PRO SERIES 13" x 24" body is tapered and has a minimum wall thickness of 0.270". The body has a double wall at the top cover seat area with a minimum thickness of 0.270". The cover seat area has 18 structural support ribs on the underside of the seat, each with a minimum thickness of 0.250". The bottom of the body has a 1.000" flange. The 13" x 24" cover has an average thickness of 0.320". The valve box has a 3/8" 304 SS nut for the bolt-down as a standard feature.



Part No.	Description - Marking	Color (Box/Cover)	Pallet Qty.	Wt. Ea. lbs.	Product Class
<b>Box &amp; Cover</b>					
221BCB	13" x 24" x 12" Box, Overlapping Bolt-Down Cover - ICV	Green/Green	12	24.00	20PR
222BCB	13" x 24" x 15" Box, Overlapping Bolt-Down Cover - ICV	Green/Green	12	26.00	20PR
221BCDB	13" x 24" x 12" Box, Drop-in Bolt-Down Cover - ICV	Green/Green	12	24.00	20PR
222BCDB	13" x 24" x 15" Box, Drop-in Bolt-Down Cover - ICV	Green/Green	12	26.00	20PR
<b>Cover Only</b>					
222C	13" x 24" Overlapping Cover - ICV	Green	125	7.00	20PR
222CD	13" x 24" Drop-in Cover - ICV	Green	125	7.00	20PR
222CD ELEC-L-BOLT	13" x 24" Drop-in Cover - Electric**	Gray	125	7.00	20NM
**Note – Installer responsible for ensuring product meets local building/electrical code requirements. Insulate bolt with 1/2" x 2-3/4" heat shrink tube and/or a ground rod clamp (such as Thomas & Betts Part Number 63) to reduce the chance of electrical shock.					
<b>Box Only</b>					
221B	13" x 24" x 12" Box	Green	16	17.00	20PR
222B	13" x 24" x 15" Box	Green	12	19.00	20PR

## NDS Pro Series 17" x 30" Rectangular Valve Boxes

**Specifications:** The NDS PRO SERIES 17" x 30" body is tapered and has a minimum wall thickness of 0.320". The body has a double wall at the top cover seat area with a minimum thickness of 0.320". The cover seat area has 20 structural support ribs on the underside of the seat, each with a minimum thickness of 0.250". The bottom of the body has a 1.000" flange. The 17" x 30" cover has an average thickness of 0.350". The valve box shall have a 3/8" 304 SS nut for the bolt-down as a standard feature.



Part No.	Description - Marking	Color (Box/Cover)	Pallet Qty.	Wt. Ea. lbs.	Product Class
<b>Box &amp; Cover</b>					
224BCB	17" x 30" x 15" Box, Overlapping Bolt-Down Cover - ICV	Green/Green	12	28.00	20PR
226BCB	17" x 30" x 18" Box, Overlapping Bolt-Down Cover - ICV	Green/Green	10	37.00	20PR
224BCDB	17" x 30" x 15" Box, Drop-in Bolt-Down Cover - ICV	Green/Green	12	28.00	20PR
226BCDB	17" x 30" x 18" Box, Drop-in Bolt-Down Cover - ICV	Green/Green	10	37.00	20PR
226PBCRB	17" x 30" x 18" Box, Overlapping Cover - Reclaimed Water	Purple/Purple	10	37.00	20PR
<b>Cover Only</b>					
223C	17" x 30" Overlapping Cover - ICV	Green	75	11.00	20PR
223CD	17" x 30" Drop-in Cover - ICV	Green	75	11.00	20PR
223CR	17" x 30" Overlapping Cover - Reclaimed Water	Purple	75	11.00	20PR
223CD ELEC	17" x 30" Drop-in Cover - Electric	Gray	75	11.00	20PR
<b>Box Only</b>					
224B	17" x 30" x 15" Box	Green	12	20.00	20PR
226B	17" x 30" x 18" Box	Green	12	20.00	20PR
126PB	17" x 30" x 18" Box	Purple	10	23.00	20ND





Visit [ndspro.com](http://ndspro.com) for specs, detail drawings and case studies

**NDS Customer Service**

851 N. Harvard Ave., Lindsay, CA 93247

Phone: 800.726.1994 • 559.562.9888

Fax: 800.726.1998 • 559.562.4488

[www.ndspro.com](http://www.ndspro.com)