

# GATE VALVE

Resilient Seat Gate Valves, free of maintenance, inner screw (504-505) or outside screw and yoke (507), clockwise closure, bolted bonnet.

They are provided with protection by EPOXI coating and are the right choice for general water systems. They offer a perfect tightness thanks to their resilient coated wedge even with sediment media.

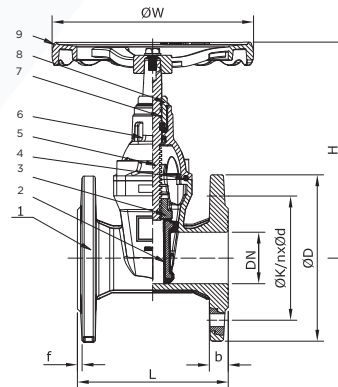


Isolating Linear Valves for On/Off\* Sealing Class A (Leakage 0) according to EN12266-1 \* Bidirectional design \*Manufacturing Design to Harmonized Standard EN 1171 and EN 1074-1 & 2\* Design Pressure Rating: PN 16 (504-507), PN10 (505) \* Size range: DN 40 - DN 1000 \* Design Temperature Range: -10/ 80°C \* Face to face length EN 558 S14 (DIN 3202 F4) \* Valve End connections: fl angled DIN PN 16 (504-507), PN10 (505)\* Approvals: PED 97/23/CE - Category II, Fluids Group 2.

## TECHNICAL CHARACTERISTICS

1. Protection by Epoxi Coat.
2. NBR-EPDM rubber wedge lining. Full tightness
3. Non Rising hand Wheel, operation by head cap possible.
4. Round rubber gasket fits into a recess in onnet preventing from being blow out by pressure surges.
5. Union bolts wax covered.
6. Removable bushing.
7. Protection by Epoxi Coat.
8. Full bore, self cleaning, mínimum pressure drop.
9. Aprobación WRAS.

## MAIN PARTS AND MATERIALS



| Nº | MATERIAL         | PART       |
|----|------------------|------------|
| 1  | GGG50            | BODY       |
| 2  | GGG50-NBR/EPDM   | WEDGE      |
| 3  | BRASS CuZn40     | DISC NUT   |
| 4  | NBR              | GASKET     |
| 5  | ST.STEEL X20Cr13 | STEM       |
| 6  | GGG50            | BONNET     |
| 7  | NBR              | PACKING    |
| 8  | BRASS CuZn40     | PUSHER NUT |
| 9  | GGG50            | HANDWHEEL  |

## DIMENSIONS

| DN    |         | 40   | 50   | 65   | 80   | 100  | 125  | 150  | 200  | 250   | 300   | 350   | 400   | 450   | 500   | 600   | 700   | 800   |       |       |
|-------|---------|------|------|------|------|------|------|------|------|-------|-------|-------|-------|-------|-------|-------|-------|-------|-------|-------|
| L     | F4      | 140  | 150  | 170  | 180  | 190  | 200  | 210  | 230  | 250   | 270   | 290   | 310   | 330   | 350   | 390   | 430   | 470   |       |       |
| H     | 504/505 | 191  | 230  | 270  | 290  | 315  | 348  | 385  | 505  | 590   | 690   | 810   | 890   | 1010  | 1234  | 1260  | 2150  | 2150  |       |       |
| W     | 504/505 | 200  | 200  | 200  | 254  | 254  | 315  | 315  | 315  | 406   | 406   | 500   | 500   | 630   | 630   | 630   | -     | -     |       |       |
| D     | PN10    | 150  | 165  | 185  | 200  | 220  | 250  | 285  | 340  | 395   | 445   | 505   | 565   | 615   | 670   | 780   | 895   | 1015  |       |       |
|       | PN16    | 150  | 165  | 185  | 200  | 220  | 250  | 285  | 340  | 405   | 460   | 520   | 580   | 640   | 715   | 840   | 910   | 1025  |       |       |
| b     | PN10    | 19   | 19   | 19   | 19   | 19   | 19   | 19   | 20   | 22    | 25    | 25    | 25    | 26    | 27    | 30    | 33    | 35    |       |       |
|       | PN16    | 19   | 19   | 19   | 19   | 19   | 19   | 19   | 20   | 22    | 25    | 27    | 28    | 30    | 32    | 36    | 40    | 43    |       |       |
| F     |         | 3    | 3    | 3    | 3    | 3    | 3    | 3    | 3    | 3     | 3     | 4     | 4     | 4     | 4     | 5     | 5     | 5     |       |       |
| K     | PN10    | 110  | 125  | 145  | 160  | 180  | 210  | 240  | 295  | 350   | 400   | 460   | 515   | 565   | 620   | 725   | 840   | 950   |       |       |
|       | PN16    | 110  | 125  | 145  | 160  | 180  | 210  | 240  | 295  | 355   | 410   | 470   | 525   | 585   | 650   | 770   | 840   | 950   |       |       |
| n - d | PN10    | 4x19 | 4x19 | 4x19 | 8x19 | 8x19 | 8x19 | 8x23 | 8x23 | 8x23  | 12x23 | 12x23 | 12x23 | 16x23 | 16x28 | 20x28 | 20x28 | 20x31 | 24x31 | 24x34 |
|       | PN16    | 4x19 | 4x19 | 4x19 | 8x19 | 8x19 | 8x19 | 8x23 | 8x23 | 12x23 | 12x28 | 12x28 | 12x28 | 16x28 | 16x31 | 20x31 | 20x34 | 20x37 | 24x37 | 24x41 |

## OPTIONS

Other working lengths, connections and ratings \* AWWA design \* UL/FM approved \* Extended Bonnet for underground service \* Limit switches \* Chained hand wheel, gear operated, electric actuation, etc \*..

## MAIN DUTIES

Water\* Neutral Liquids \*  
Fire Protection Systems,