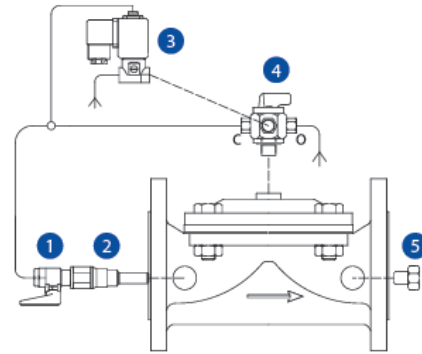
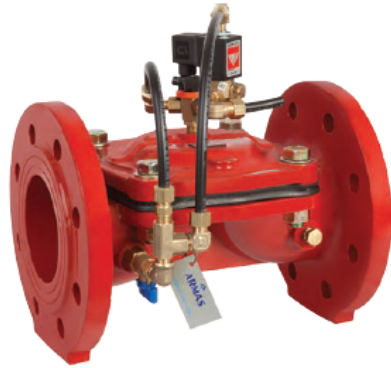


600 SERIES

EL SOLENOID CONTROLLED VALVE



DESCRIPTION

Armas "EL" model valve is the hydraulic control valve operated by line pressure and designed to ensure opening/closing process by means of built-in 3/2-way solenoid pilot valves controlled remotely with electric signal. Electric signal for solenoid pilot valves is ensured by means of a control device, time relay, main switch and PLC control units etc. Opening/Closing process may be realized easily thanks to manual control on solenoid pilot valve. Depending on desire, 24V AC 50Hz/60Hz or 12V DC, 9V DCLATCH and 12V DC latch normally open (N.O.) or normally closed (N.C.) solenoid coils may be used on main valve.

PURCHASE SPECIFICATIONS

The valve will be direct diaphragm closing automatic hydraulic control valve which works with line pressure. No wearable parts such as stem, bearing and seat exist in main valve body. The valve position will be controlled by a hand operated selector valve.

CONTROL SYSTEM COMPONENTS

- 1 Ball Valve
- 2 In-line Finger Filter
- 3 Solenoid Pilot Valve
- 4 3-Way Selector Valve
- 5 Plug

QUICK SIZING

Valve size same as main line or one size smaller.
Maximum flow speed for continuous operation 5.5 m/sec (18 ft/sec)

ORDER INFORMATION

Please submit following information to our sales department while ordering.

Maximum flow rate	: m ³ /h	Valve connection type	: ---
Maximum network/line pressure	: bar	Electric voltage value to be used	: volt
Main line size	: mm		

TYPICAL APPLICATION

