



## LINESHAFT DRIVEN LIVE ROLLER CONVEYOR QUOTATION WORKSHEET

Company \_\_\_\_\_ Date \_\_\_\_\_  
 Contact \_\_\_\_\_ Quote Due \_\_\_\_\_ Desired Delivery \_\_\_\_\_  
 Phone No. \_\_\_\_\_ Contact Email \_\_\_\_\_ State \_\_\_\_\_  
 Omni Sales Contact \_\_\_\_\_ Quote #: \_\_\_\_\_  
 Quantity \_\_\_\_\_

### Product Specs:

Max:  
 - Width (inches): \_\_\_\_\_ Length (inches): \_\_\_\_\_  
 - Height (inches): \_\_\_\_\_ Weight (lbs): \_\_\_\_\_  
 Min:  
 - Width (inches): \_\_\_\_\_ Length (inches): \_\_\_\_\_  
 - Height (inches): \_\_\_\_\_ Weight (lbs): \_\_\_\_\_  
 Description: \_\_\_\_\_  
 Max. Qty.: \_\_\_\_\_ Total Live Load: \_\_\_\_\_  
 Temperature  
 -Environment: \_\_\_\_\_  
 -Product: \_\_\_\_\_

### Roller Specs:

- 1 3/8 in. dia. x 16 ga. Galv.  
 1.9 in. dia. x 16 ga. Galv.  Other: \_\_\_\_\_

### Support Type:

- Quantity: \_\_\_\_\_  
 Legs  Ceiling Supports TOR \_\_\_\_\_ +/- \_\_\_\_\_

Other: \_\_\_\_\_  
 \_\_\_\_\_  
 \_\_\_\_\_  
 \_\_\_\_\_

### Conveyor Construction:

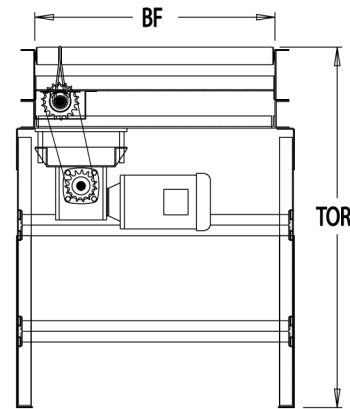
- Between Frame (BF) \_\_\_\_\_  
 Roller C/C \_\_\_\_\_  
 Straight Length: \_\_\_\_\_  
 Curve - Degree: \_\_\_\_\_  
 Inside Radius (I.R.): \_\_\_\_\_  
 Bolt-Together  
 Galvanize  Painted  Powder Coat  
 Color/RAL: \_\_\_\_\_  
 Welded  
 Painted  Powder Coat  
 Color/RAL: \_\_\_\_\_

### Drive Info:

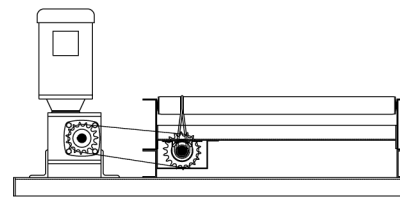
- Drive  Slave  
 Underhung  Side Mount  
 Chain  Timing Belt  
 HP: \_\_\_\_\_

### Plant Voltage:

- 110V Single Phase  460V Three Phase  
 220V Single Phase  208V Three Phase  
 220V Three Phase  575V Three Phase  
 Speed:  
 FPM: \_\_\_\_\_  Fixed  Variable (10:1 ratio)  
 AC Controller  DC Controller



Underhung Drive with Leg Supports



Side Mount Drive

Approval Drawing Required:  Yes  No