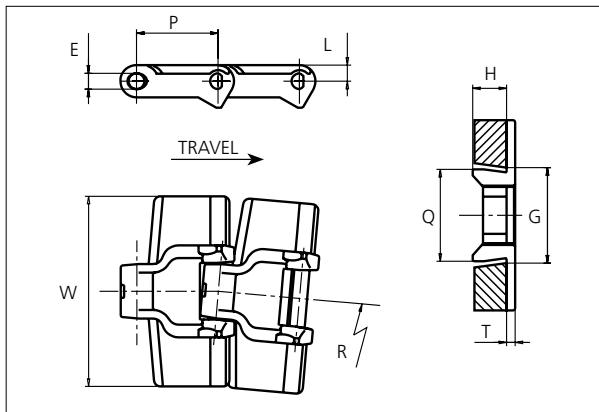




Slat Top Plastic Chain

Series **uni 879** Type -



Slat Top Plastic Chain
 Side flexing chain
 Pitch: 38.1 mm (1.50 in)
 Backflex radius: 75 mm (3 in)
 Permissible tensile strength:
 POM material: 2250 N (506 lbf)

 Standard shipping lengths:
 boxes of 80 links
 = 3.048 m (10.0 ft)

NON STANDARD

| E | | G* | | G** | | H | | J | | K | | L | | P | | Q | | T | |
|-----|------|------|------|------|------|------|------|------|------|------|------|-----|------|------|------|------|------|-----|------|
| mm | in | mm | in | mm | in | mm | in | mm | in | mm | in | mm | in | mm | in | mm | in | mm | in |
| 7.1 | 0.28 | 41.3 | 1.63 | 46.6 | 1.83 | 15.9 | 0.63 | 61.5 | 2.42 | 11.9 | 0.47 | 8.5 | 0.33 | 38.1 | 1.50 | 43.1 | 1.70 | 5.0 | 0.20 |

*Curve, ** Straight

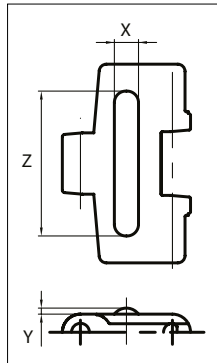
All dimensions are for chains in POM material.

| | Width (W) | | Recommended material & color | Recommended pin material | Weight | | Min. radius (R) | | |
|-------------|-----------|------|--|---|--------------|-------|-----------------|-----|-------|
| | mm | in | | | kg/m | lb/ft | mm | in | |
| K250 | 63.5 | 2.50 | POM-D W POM-LF BR | POM-D G POM-SLF DG | SS304 | 1.0 | 0.67 | 400 | 15.75 |
| K325 | 82.6 | 3.25 | POM-D W POM-LF BR | POM-D G POM-SLF DG | SS304 | 1.0 | 0.67 | 400 | 15.75 |
| K450 | 114.3 | 4.50 | POM-D W POM-LF BR | POM-D G POM-SLF DG | SS304 | 1.3 | 0.87 | 400 | 15.75 |

Other non standard material and color: See uni Material and Color Overview.
 Other non standard pin material: See uni Material and Color Overview.

Accessories

Rubber Top



When ordering, please state the required distance between the Rubber Top.

Other Non Standard rubber profiles:
 See uni Rubber Profile Overview

| Width | Link material | Rubber material | Z | | X | | Y | |
|-------------|---|--|----|------|----|------|-----|------|
| | | | mm | in | mm | in | mm | in |
| K325 | POM-LF BR | 05 I | 60 | 2.36 | 10 | 0.39 | 2.5 | 0.10 |
| K450 | POM-LF BR | 05 I | 90 | 3.54 | 10 | 0.39 | 2.5 | 0.10 |

PITCH 38.1 MM/1.50 IN

Sprocket

| No. of teeth | Pitch diameter | | Overall diameter | | Min. ø bore | | Max. ø bore | | Hub diameter | | Dimension A | | Dimension B | | Molded PA6 LG | Molded Cast Iron |
|--------------|----------------|------|------------------|------|-------------|------|-------------|------|--------------|------|-------------|------|-------------|------|---------------|------------------|
| | mm | in | mm | in | mm | in | mm | in | mm | in | mm | in | mm | in | | |
| Z9 | 111.4 | 4.39 | 109.7 | 4.32 | 20.0 | 0.80 | 40.0 | 1.60 | 70.0 | 2.76 | 55.9 | 2.20 | 63.2 | 2.49 | ✓ | ✓ |
| Z10 | 123.3 | 4.85 | 122.3 | 4.81 | 20.0 | 0.80 | 40.0 | 1.60 | 70.0 | 2.76 | 62.2 | 2.45 | 69.2 | 2.72 | ✓ | ✓ |
| Z11 | 135.2 | 5.32 | 134.8 | 5.31 | 20.0 | 0.80 | 40.0 | 1.60 | 70.0 | 2.76 | 68.4 | 2.69 | 75.1 | 2.96 | ✓ | ✓ |
| Z12 | 147.2 | 5.80 | 147.2 | 5.80 | 20.0 | 0.80 | 40.0 | 1.60 | 70.0 | 2.76 | 74.6 | 2.94 | 81.1 | 3.19 | ✓ | ✓ |
| Z15 | 183.3 | 7.22 | 184.3 | 7.26 | 20.0 | 0.80 | 40.0 | 1.60 | 70.0 | 2.76 | 93.2 | 3.67 | 99.2 | 3.91 | ✓ | ✓ |

Two part sprocket

| No. of teeth | Pitch diameter | | Overall diameter | | Min. ø bore | | Max. ø bore | | Hub diameter | | Dimension A | | Dimension B | | Molded PA6 LG |
|--------------|----------------|------|------------------|------|-------------|------|-------------|------|--------------|------|-------------|------|-------------|------|---------------|
| | mm | in | mm | in | mm | in | mm | in | mm | in | mm | in | mm | in | |
| Z9 | 111.4 | 4.39 | 109.7 | 4.32 | 20.0 | 0.80 | 40.0 | 1.60 | 70.0 | 2.76 | 55.9 | 2.20 | 63.2 | 2.49 | ✓ |
| Z10 | 123.3 | 4.85 | 122.3 | 4.81 | 20.0 | 0.80 | 40.0 | 1.60 | 70.0 | 2.76 | 62.2 | 2.45 | 69.2 | 2.72 | ✓ |
| Z11 | 135.2 | 5.32 | 134.8 | 5.31 | 20.0 | 0.80 | 40.0 | 1.60 | 70.0 | 2.76 | 68.4 | 2.69 | 75.1 | 2.96 | ✓ |
| Z12 | 147.2 | 5.80 | 147.2 | 5.80 | 20.0 | 0.80 | 40.0 | 1.60 | 70.0 | 2.76 | 74.6 | 2.94 | 81.1 | 3.19 | ✓ |

Non standard material and color:
See uni Material and Color Overview.

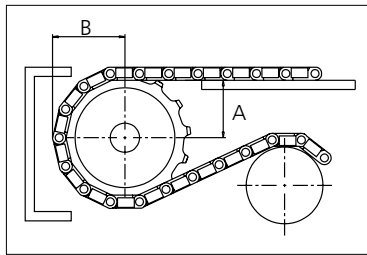
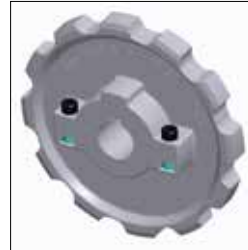
Molded sprocket



Cast iron sprocket



Molded two part sprocket



Please ensure that sufficient size shaft and keyway are chosen for corresponding load.

Other sprocket sizes are available upon request

Width of tooth: 15.8 mm/0.62 in

Width of sprocket: 42.3 mm/1.67 in

uni Retainer Rings: See uni Retainer Ring data sheet

uni Idler: See uni Idler data sheet



Conveyor Belts



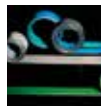
Seamless Belts



Modular Belts



Timing Belts



Transmission Belts



Fabrication & service

Solid advice
For all your belting needs
Local stock & service
www.ammeraalbeltech.com

Ammeraal Beltech Modular A/S
Hjulmagervej 21
DK-7100 Vejle

T +45 7572 3100
F +45 7572 3348
admin@unichains.com
www.unichains.com

This information is subject to alteration due to continuous development. Ammeraal Beltech will not be held liable for the incorrect use of the above stated information. This information replaces previous information. All activities performed and services rendered by Ammeraal Beltech are subject to general terms and conditions of sale and delivery, as applied by its operating companies.