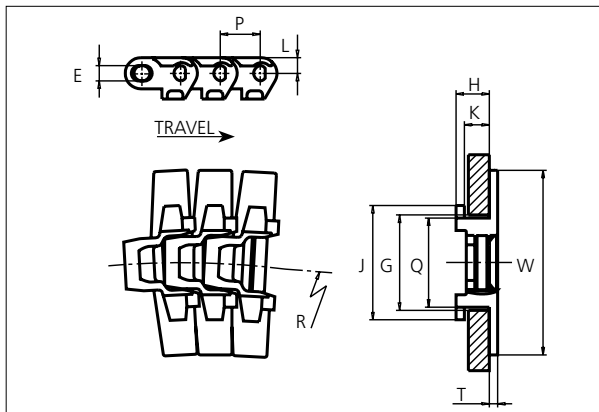




# Slat Top Plastic Chain

Series **uni 440** Type **Tab**



**Slat Top Plastic Chain**  
 Side flexing chain  
 Pitch: 19.1 mm (0.75 in)  
 Backflex radius:  
 12.5 mm (0.5 in)  
 Permissible tensile strength:  
 POM material:  
 1100 N (247 lbf)  
  
 Standard shipping lengths:  
 boxes of 160 links  
 = 3.048 m (10.0 ft)

| E   |      | G    |      | H    |      | J    |      | K    |      | L   |      | P    |      | Q    |      | T   |      |
|-----|------|------|------|------|------|------|------|------|------|-----|------|------|------|------|------|-----|------|
| mm  | in   | mm   | in   | mm   | in   | mm   | in   | mm   | in   | mm  | in   | mm   | in   | mm   | in   | mm  | in   |
| 7.4 | 0.29 | 44.5 | 1.75 | 15.9 | 0.63 | 55.0 | 2.17 | 11.9 | 0.47 | 7.5 | 0.30 | 19.1 | 0.75 | 42.9 | 1.69 | 4.0 | 0.16 |

All dimensions are for chains in POM material.

|             | Width (W) |      | Material & color | Pin material | Weight |       | Min. radius (R) |      |
|-------------|-----------|------|------------------|--------------|--------|-------|-----------------|------|
|             | mm        | in   |                  |              | kg/m   | lb/ft | mm              | in   |
| <b>K250</b> | 63.5      | 2.50 | POM-LF BR        | SS304        | 1.2    | 0.81  | 175             | 6.89 |
| <b>K325</b> | 82.6      | 3.25 | POM-LF BR        | SS304        | 1.3    | 0.87  | 175             | 6.89 |
| <b>K350</b> | 88.9      | 3.50 | POM-LF BR        | SS304        | 1.3    | 0.87  | 175             | 6.89 |
| <b>K450</b> | 114.3     | 4.50 | POM-LF BR        | SS304        | 1.4    | 0.94  | 175             | 6.89 |
| <b>K750</b> | 190.5     | 7.50 | POM-LF BR        | SS304        | 1.6    | 1.07  | 175             | 6.89 |

Non standard material and color: See uni Material and Color Overview.  
 Non standard pin material: See uni Material and Color Overview.

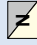
STANDARD

SIDE FLEXING

PITCH 19.1 MM/0.75 IN

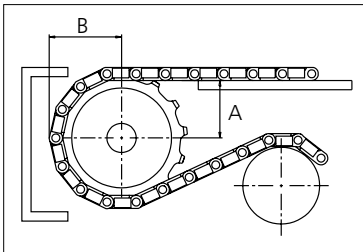


## Sprocket

| No of teeth | Pitch diameter |      | Overall diameter |      | Min. ø bore |      | Max. ø bore |      | Hub diameter |      | Dimension A |      | Dimension B |      | Machined  PAG |
|-------------|----------------|------|------------------|------|-------------|------|-------------|------|--------------|------|-------------|------|-------------|------|--------------------------------------------------------------------------------------------------|
|             | mm             | in   | mm               | in   | mm          | in   | mm          | in   | mm           | in   | mm          | in   | mm          | in   |                                                                                                  |
| <b>Z9</b>   | 55.8           | 2.20 | 57.0             | 2.20 | 10.0        | 0.40 | 25.0        | 1.00 | 37.0         | 1.50 | 29.8        | 1.20 | 35.6        | 1.40 | ✓                                                                                                |
| <b>Z12</b>  | 73.8           | 2.91 | 76.0             | 3.00 | 10.0        | 0.40 | 30.0        | 1.20 | 56.0         | 2.20 | 39.2        | 1.50 | 44.5        | 1.80 | ✓                                                                                                |
| <b>Z20</b>  | 122.1          | 4.81 | 125.3            | 4.90 | 18.0        | 0.70 | 70.0        | 2.80 | 105.0        | 4.10 | 63.8        | 2.50 | 68.6        | 2.70 | ✓                                                                                                |

Non standard material and color:  
See uni Material and Color Overview.

### Machined sprocket



Please ensure that sufficient size shaft and keyway are chosen for corresponding load.

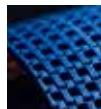
Other sprocket sizes are available upon request  
Width of tooth: 15.8 mm/0.60 in  
Width of sprocket: 25.0 mm/0.10 in  
uni Retainer Rings: See uni Retainer Ring data sheet



Conveyor Belts



Seamless Belts



Modular Belts



Timing Belts



Transmission Belts



Fabrication & service

Solid advice  
For all your belting needs  
Local stock & service  
[www.ammeraalbeltech.com](http://www.ammeraalbeltech.com)

**Ammeraal Beltech Modular A/S**  
Hjulgagervej 21  
DK-7100 Vejle

T +45 7572 3100  
F +45 7572 3348  
admin@unichains.com  
www.unichains.com

This information is subject to alteration due to continuous development. Ammeraal Beltech will not be held liable for the incorrect use of the above stated information. This information replaces previous information. All activities performed and services rendered by Ammeraal Beltech are subject to general terms and conditions of sale and delivery, as applied by its operating companies.