



PDC SMART SATIN ELITE WRISTBANDS

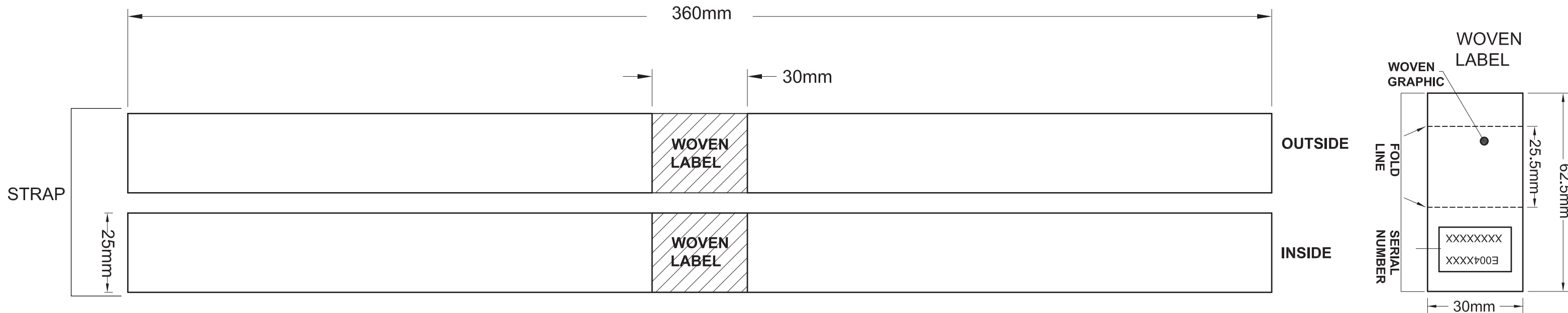
ARTWORK NUMBER- [REDACTED]

TEMPLATE APPLIES TO THE FOLLOWING PART NUMBERS:

- RC200G-XX-PDF-I
- RC200A-XX-PDF-I
- RC200M-XX-PDF-I

- ARTWORK SPECIFICATIONS:
- OUTLINE ALL FONTS
 - ONLY VECTOR FILES ARE ACCEPTABLE (NO FLAT IMAGES)
 - ACCEPTABLE FILE FORMATS: AI, EPS, PDF
 - JPEG & PNG FILES ARE NOT ACCEPTABLE

Note: Artwork will be covered by woven label placement



SERIALIZATION OPTIONS (check one)				
<input type="checkbox"/> OPTION 1 - Sequential Starting Number:	<input type="checkbox"/> OPTION 2 - Non Sequential Number of Characters:	<input type="checkbox"/> OPTION 3 - Customer File File must be provided to PDC	<input type="checkbox"/> OPTION 4 - UID UID Serialization Selected	<input type="checkbox"/> OPTION 5- NONE No Serialization
ENCODING OPTIONS				
HF				
MIFARE			MIFARE KEY STARTING BLOCK	
USER MEMORY			STARTING BLOCK STARTING NUMBER	
UID/SERIAL NUMBER MATCH FILE REQUIRED (Y/N)				