



PROFESSIONAL CARPET & UPHOLSTERY CLEANER

USER GUIDE



CONTENTS

PAGE	SECTION
2	BEST PRACTICES & PRO TIPS
3	IMPORTANT SAFETY INSTRUCTIONS
4	MACHINE PARTS
5	ATTACHMENT PARTS
6	HOW TO USE GUIDE
7	MACHINE SET-UP
8	OPERATING THE MACHINE
9	CLEANING TIPS
10	MAINTENANCE & CARE
11	TROUBLESHOOTING

Thanks for buying the Aqua Pro Vac

We're glad you purchased our best-selling carpet and upholstery cleaner. Everything we know about the carpet and upholstery care went into the design and construction of this complete cleaning system.

We stand behind the Aqua Pro Vac with a knowledgeable and dedicated Consumer Service team, so if you ever have a question or problem, you'll receive fast, considerate assistance. Your Aqua Pro Vac is well made, and we back it with a limited one-year warranty.

We look forward to hearing about your experience with our products and if at any time you require anything from us, please call us at 1-650-292-4445 or email at service@aquaprovac.com

A handwritten signature in black ink that reads "Bryan Watson".

Bryan Watson
CEO

BEST PRACTICES & PRO TIPS

Best Practices

■ **Don't let the dirty water bucket to overflow.** When replenishing the clean water, don't forget to empty the dirty water bucket as the water can be sucked into the vacuum motor via the air filter which can cause great damage to the machine.



■ **Don't use very hot water or boiling water** as this can create lasting damage to the machine including melting the housing. Use cold water, but if you want to use warm water there should be no problem.



■ **We recommend not putting detergent into the machine;** therefore, no defoamer is needed. Instead, use a mixture of water and detergent in a spray bottle (we recommend LA's the Totally Awesome) then, spray the area that needs to be cleaned. Leave the water and detergent mixture to sit on the carpet/upholstery for 1 -2 minutes. Next, agitate the mixture with a hand brush or round drill bit brush. Using the extractor, spray water and then extract.



Troubleshooting Tips

■ In the event that the **male quick connector loosens from the water hose**, you can reconnect it with a simple fix. First, remove the screw of the male quick connect. Use pliers and a wrench to loosen and remove the screw that secures the male quick connector to the water hose. Then re-insert the end of the water hose into the male quick connector, making sure it is pushed all the way in. Next, securely tighten the screw back by using pliers and a wrench.



■ **To fix leaking upholstery and floor heads**, first remove the head. Then, ensure that the short hose (with locking nut) is pushed back into place (retract the blue locking valve and reinsert the black hose). Next, reattach the upholstery head while carefully lining up the locking number, ensure the head is pushed all the way on. Lastly, twist and lock the locking nut onto the trigger mechanism. **You can also watch a step by step tutorial video by scanning the QR code located at the very end page of the manual.**



IMPORTANT SAFETY INSTRUCTIONS

When using any electrical appliance, basic precautions should be observed, including the following:

Read all instructions before using your Aqua Pro Vac
WARNING: to reduce the risk of fire, electric shock, or injury:

- Do not immerse in water.
- Always connect to a properly grounded outlet.
- Unplug from outlet when not in use and before conducting maintenance or troubleshooting.
- Do not leave machine when it is plugged in.
- Do not service machine when it is plugged in.
- Do not use with damaged cord or plug.
- Do not pull or carry by cord, use cord as a handle, close door on cord, pull cord around sharp corners or edges, run appliance over cord, or expose cord to heated surfaces.
- Unplug by grasping the plug, not the cord.
- Do not handle plug or appliance with wet hands.
- Do not put any object into appliance openings, use with blocked opening, or restrict air flow.
- Do not expose hair, loose clothing, fingers or body parts to openings or moving parts.
- Do not pick up flammable or combustible materials (lighter fluid, gasoline, kerosene, etc.) or use in the presence of explosive liquids or vapor.
- Do not use inside an automobile that is running
- Do not use appliance in an enclosed space filled with vapors given off by oil base paint, paint thinner, some moth proofing substances, flammable dust, or other explosive or toxic vapors.
- Do not pick up toxic material (chlorine bleach, ammonia, drain cleaner, gasoline, etc.).
- Do not modify the 3-prong grounded plug.
- Do not allow to be used as a toy.
- Do not use for any purpose other than described in this User's guide.
- Use only manufacturer's recommended attachments.
- Use only low foam cleaning solutions or those recommended for use in this appliance to prevent internal component damage. See the cleaning fluid section of this guide.
- Keep all openings free of dust, lint, hair, etc.
- Do not point attachment nozzle at people or animals
- Keep appliance on a level surface.
- Turn off all controls before unplugging.

- Unplug before attaching hoses
- Be extra careful when cleaning stairs.
- Close attention is necessary when used by or near children.

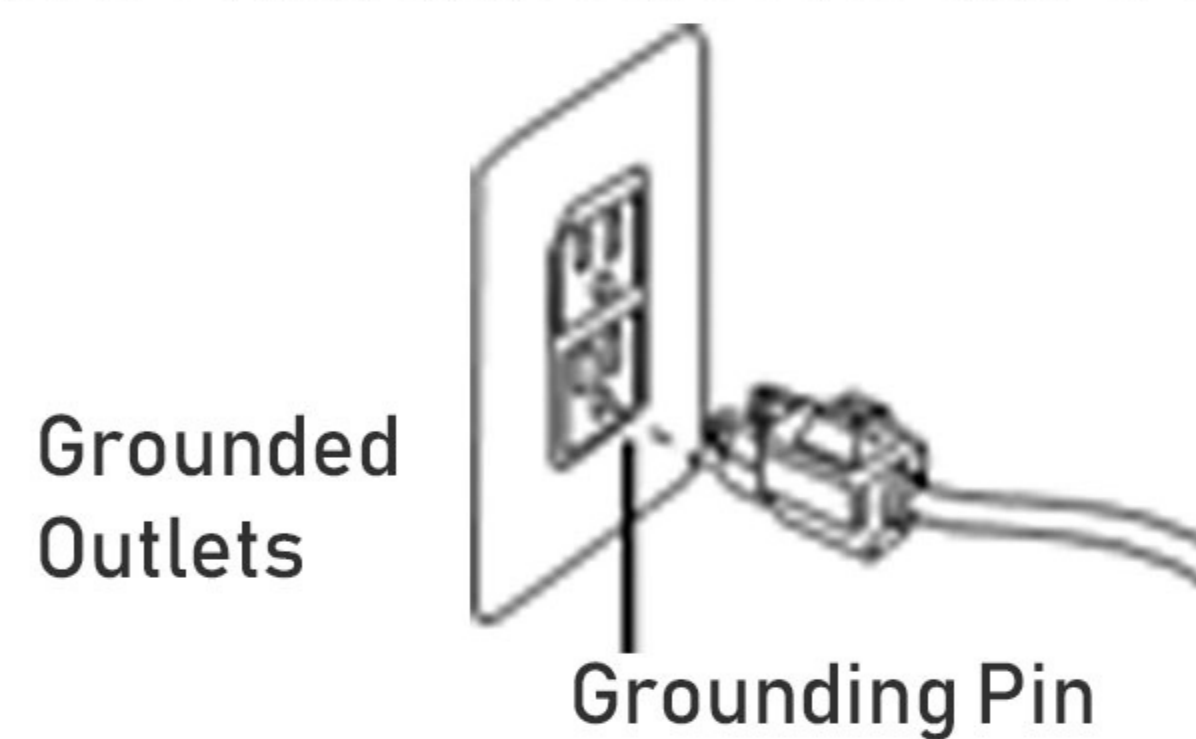
■ **WARNING:** Should water emit from the machine exhaust, switch off immediately and refer to instructions for using the machine.

■ **WARNING:** the power cord on this product contains lead, a chemical known to the State of California to cause birth defects or other reproductive harm. WASH HANDS AFTER HANDLING.

SAVE THESE INSTRUCTIONS.

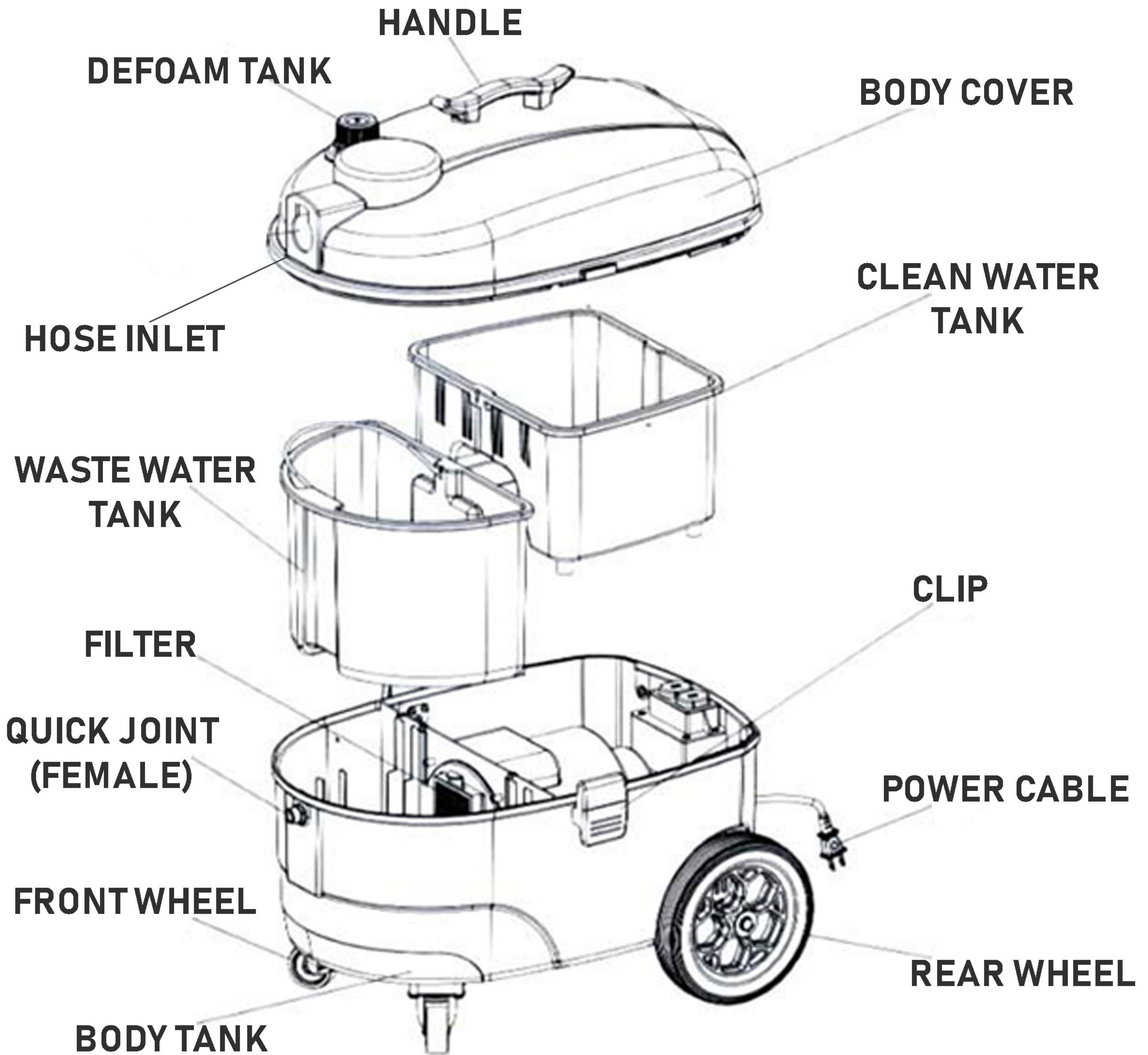
GROUNDING INSTRUCTIONS

This appliance must be connected to a grounded wiring system. If it should malfunction or break down, grounding provides a safe path of least resistance for electrical current, reducing the risk of electrical shock. The cord for this appliance has an equipment-grounding conductor and a grounding plug. It must only be plugged into an outlet that is properly installed and grounded in accordance with all local codes and ordinances.

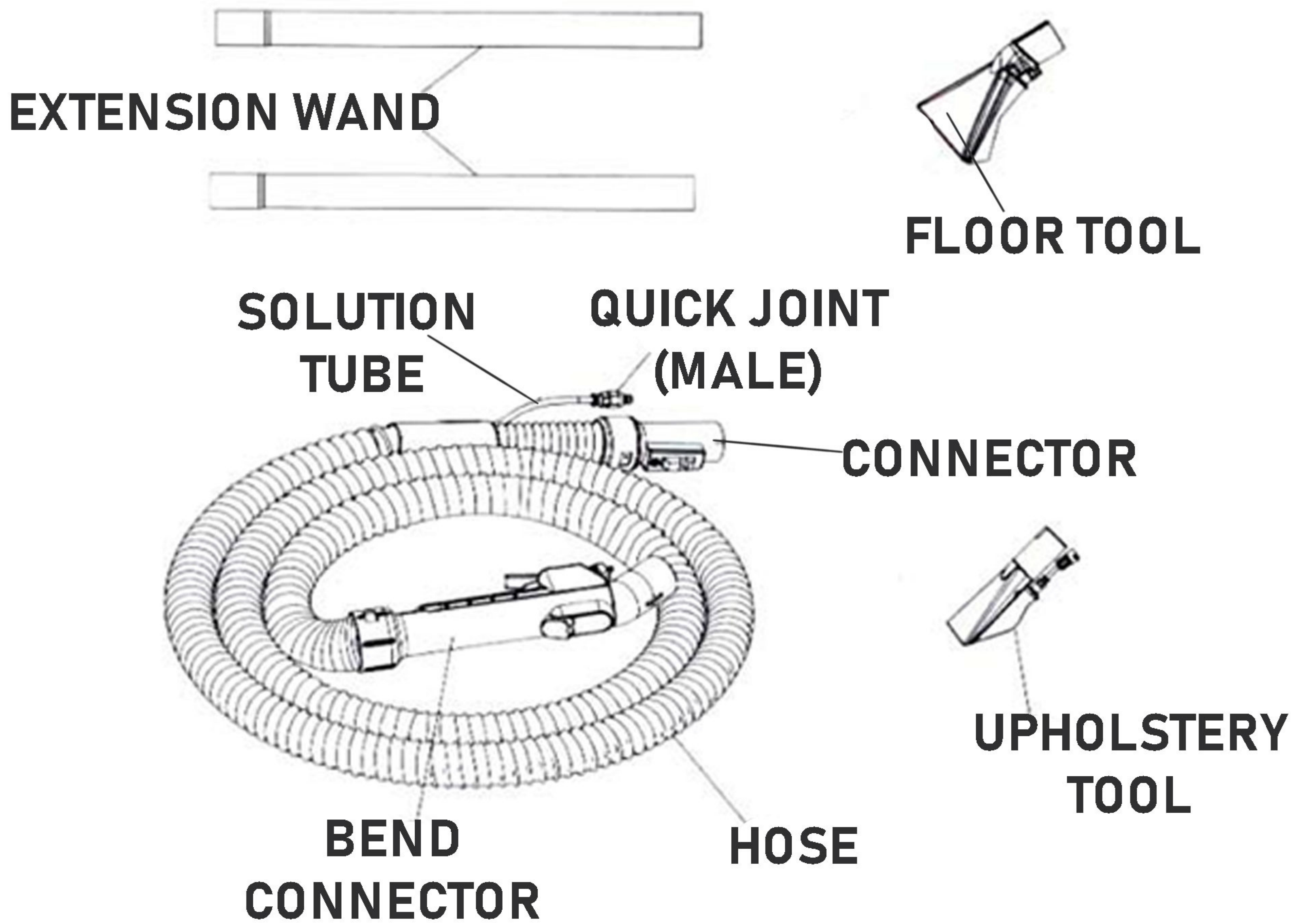


⚠ WARNING: Improper connection of the equipment-grounding conductor can result in a risk of electrical shock. Check with a qualified electrician or service person if you aren't sure if the outlet is properly grounded. **DO NOT MODIFY THE PLUG.** If it will not fit the outlet, have a proper outlet installed by a qualified electrician. This appliance is designed for use on a nominal 120-volt circuit, and has a grounding attachment plug that looks like the plug in the drawing above. Make certain that the appliance is connected to an outlet having the same configuration as the plug. No plug adapter should be used with this appliance.

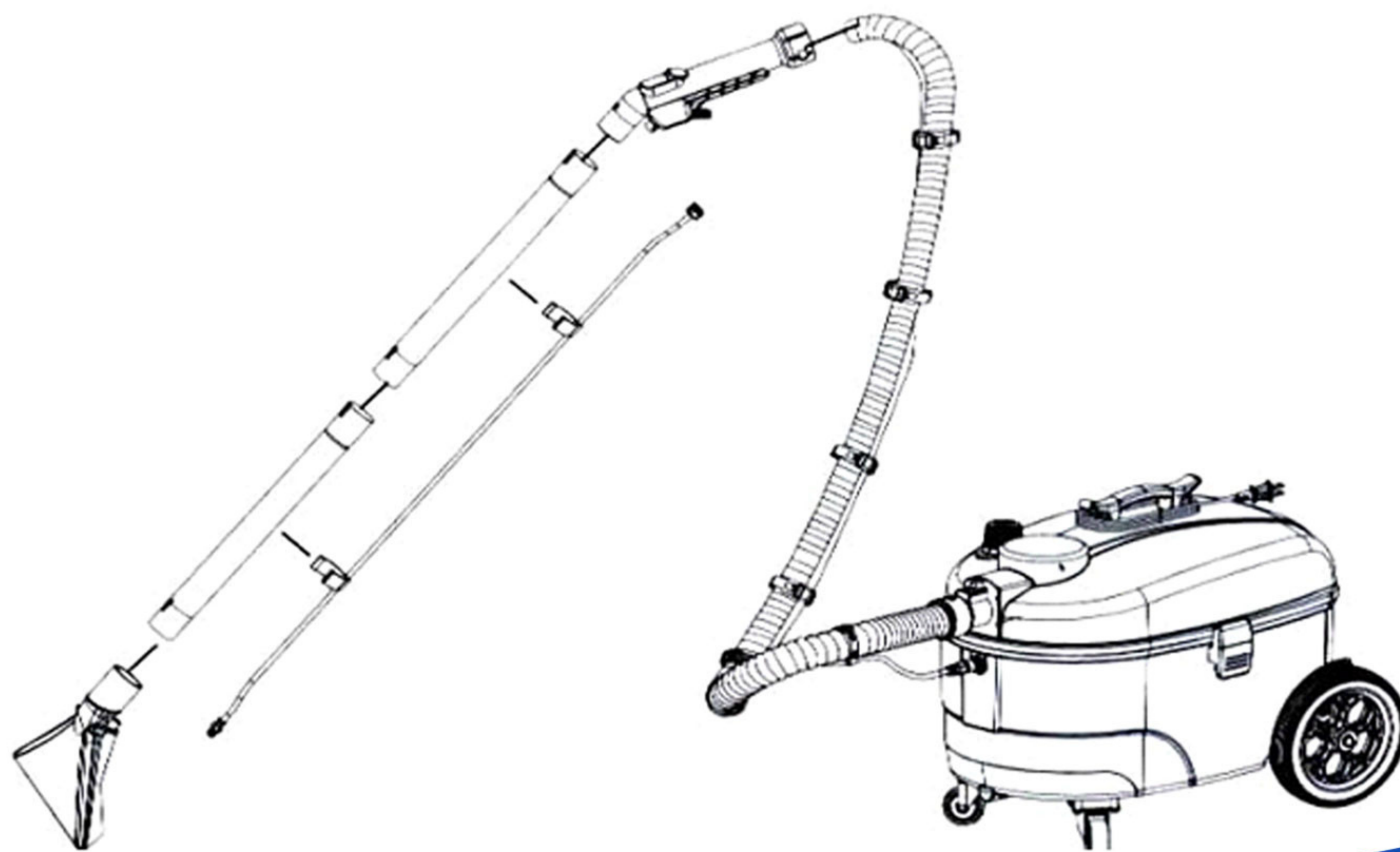
MACHINE OVERVIEW



ATTACHMENT PARTS



CARPET CLEANING SET-UP DIAGRAM



HOW TO USE THIS GUIDE

This user's guide has been designed to help you get the utmost satisfaction from your Aqua Pro Vac. You'll find assembly and operating instructions, safety precautions, maintenance, and troubleshooting instructions. Please read this user's guide thoroughly before assembling your product.

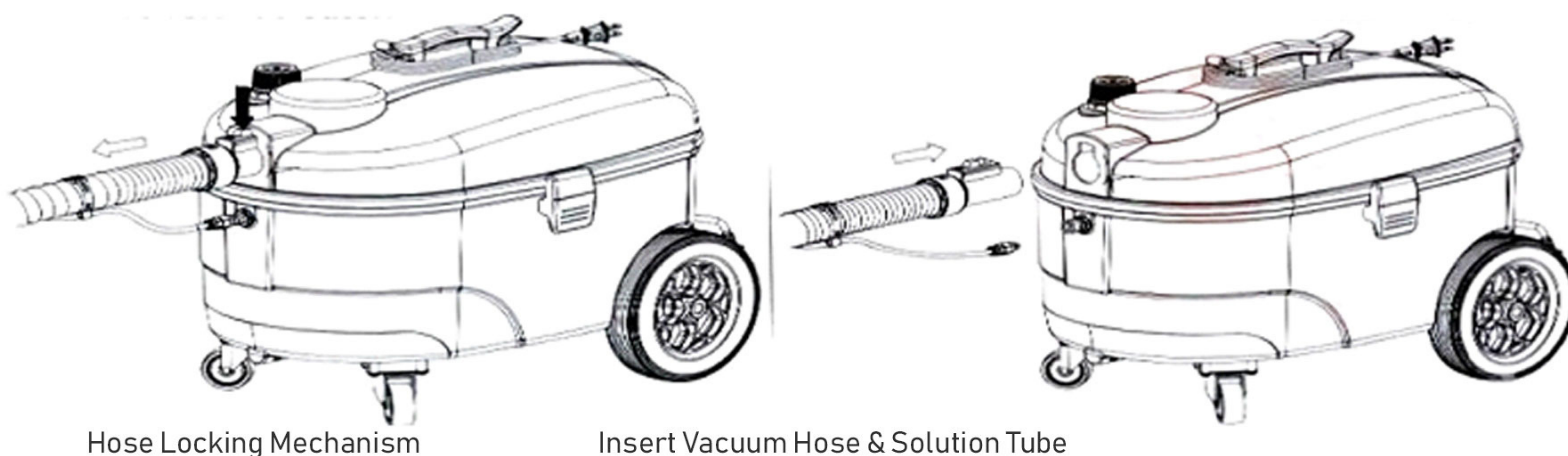
Pay particular attention to the product diagram, assembly instructions, and part names. Locate and organize all parts before assembly. Familiarize yourself with the parts and where they go. Following this user's guide will greatly enhance your ability to get the most performance from your Aqua Pro Vac for many years.



WARNING: Do not plug in your cleaner until you have completely assembled it per the following instructions and are familiar with all instructions and operating procedures.

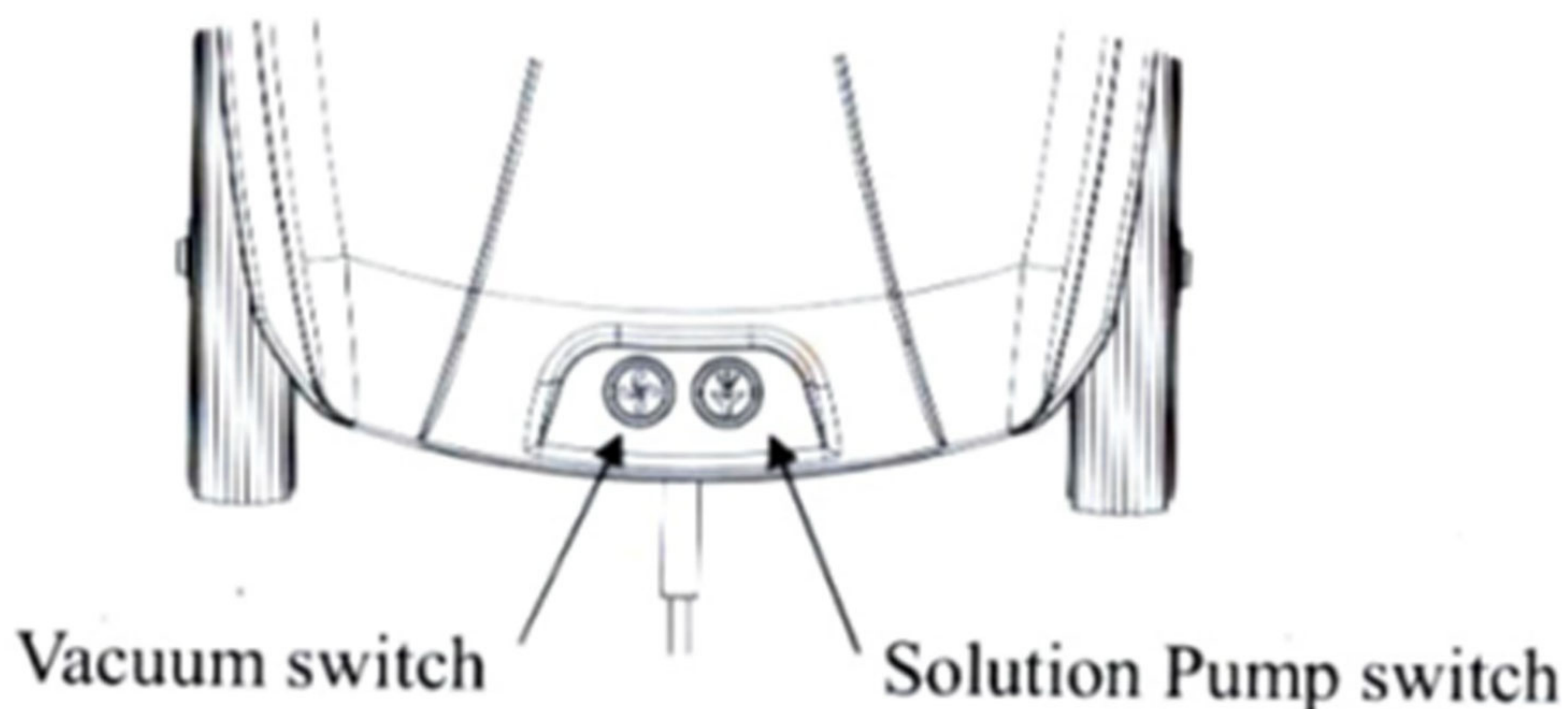
MACHINE SET-UP

- 1 Before using the Aqua Pro Vac Connect the flexible vacuum hose and connector (pg. 5 part 5 & 7) by depressing the locking mechanism on the vacuum hose inlet (pg. 4 part 3) and inserting it into the hose inlet (pg. 4 part 3) main unit. You will hear a click as it locks in place.
- 2 Connect the high pressure solution tube (pg. 5 part 4) into the solution outlet (pg. 4, part 6) on the machine. (See Diagram below).



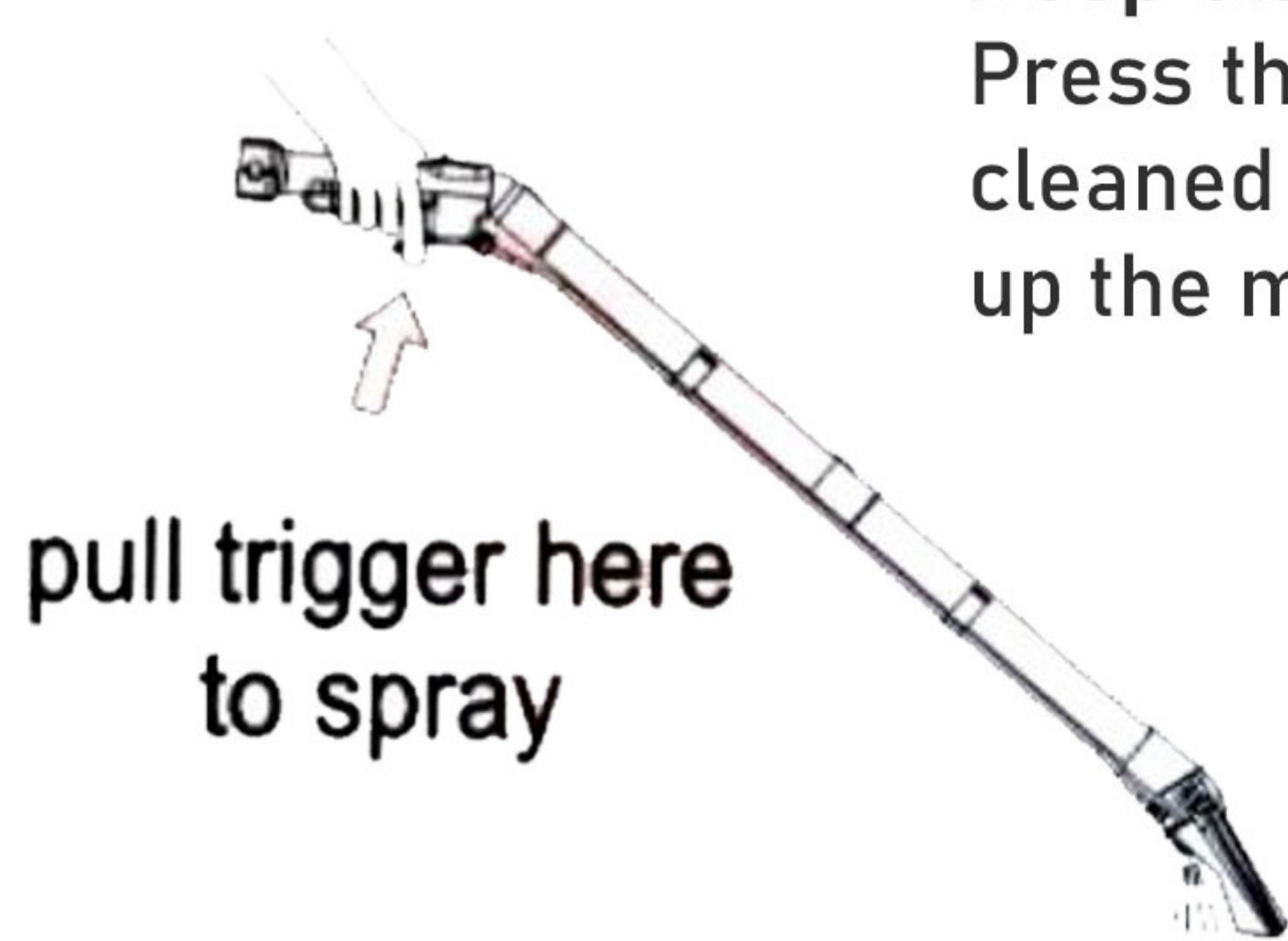
- 3 For carpet cleaning, attach the floor tool (pg. 5 part 2) to the metal extension wand pipes (pg. 5, part 1), then affix the floor tool fitting to the bend connector (pg. 5 part 6) and then connect the solution tube quick joint (see Page 5 Diagram). For upholstery cleaning, fit the smaller handheld upholstery tool (pg. 5 part 8) directly to the bend connector (Pg. 5 part 6)
- 4 Remove the lid by pulling up to release the side clips (pg. 4 part 11)
- 5 Make sure both tanks are clean and free from debris, pet hair, etc.
- 6 Remove clean water tank (pg. 4 part 12) from the machine;
Follow the instructions on the cleaning detergent for the correct dilution ratio of warm water to detergent. Lightly stir.
 *Optional: if required fill the defoam tank (pg. 4, part 2) with appropriate defoamer solution.
- 7 Replace lid and fasten side clips

OPERATING THE MACHINE



- 1 Plug the unit into a 120 volt electrical outlet (grounded)
- 2 Ensure the slider on top of the bend connector (pg. 5, part 6) is in the closed position.
- 3 Switch on the unit by pressing both the yellow vacuum switch and solution pump switch on the rear of the main unit. (see diagram above)
- 4 Begin cleaning by squeezing the trigger (see diagram below) to spray solution onto the upholstery or carpet. Move the floor or upholstery tool back and forth evenly maintaining the pressure of the tool on the surface to be cleaned.

NOTE: Ensure that the tool head remains flat against the carpet or upholstery for maximum suction.
- 5 To change water, it is best to remove the hose and coupling before opening unit lid.
 - **Quick Clean:** To quick clean depress both yellow buttons on the back of the machine to deliver the cleaning solution and vacuum it up immediately. This is best for light jobs.
 - **Deep clean:** Dry vacuum the entire area to remove debris. Press the solution switch and wet the entire area to be cleaned and let sit. Then press the vacuum switch to vacuum up the moisture.



CLEANING TIPS

To dry the surface being cleaned more thoroughly, complete the cleaning with a second 'pass' with the vacuum (and no spray) Never saturate the textile being cleaned while spraying.

NEVER let the waste water tank overflow as it will damage the motor. (This can only occur if the Water tank is refilled WITHOUT emptying the waste tank.)

CLEANING UPHOLESTRY & CARPETS

- Color fastness: Always test the carpet or upholstery on a small inconspicuous area before carrying out a full clean. If the test area shows signs of leaching, The dyes or pigments may not be color fast and the material should not be wet cleaned
- Heavily soiled areas can be cleaned more effectively if first the spot is cleaned with concentrated cleaning solution.
- The time taken to clean will depend on the thickness of the carpet and the degree of dirt on the area to be cleaned

CLEANING STAIRS

Use the small upholstery tool (pg. 5 part 8) for cleaning instead of the floor wand (pg. 5 part 2) assembly. When cleaning on stairs, take great care to ensure that the machine is stable and cannot tip over, possibly resulting in injury.

DRAINING & CLEANING

- When you have finished cleaning, hold the spray nozzle over the removable waste water tank and squeeze the spray trigger until the remaining solution has been released with the pump turned off. The spray hose can now be disconnected.
- Now the vacuum hose can be disconnected.
- Empty the waste water tank and rinse clean.
- Empty the solution water tank and rinse clean.

STORAGE

- Always unplug, empty, wipe down, and dry the machine after use.
- Wrap the electrical cord around the handle of the machine.
- Store in a dry indoor area only.

MAINTENANCE & SERVICING OF THE MACHINE

WARNING – Before undertaking maintenance or repairs to the machine, switch off the machine and unplug from the electrical supply. The machine requires minimal maintenance apart from the following checks by the operator.

- **Power Cable** – Regularly inspect the plug and power cable for damage.
- **Filter** – Check that the vacuum filter is clean and rinse if necessary.
- **Vacuum head** – Check and remove any debris, hair, or lint build up from the tool heads.
- **Spray jet** – Check for blockage and full spray pattern. Blow through jet to clean.
Do NOT use a pin, as this could damage the jet.

IMPORTANT – ALL other servicing & repairs should only be performed by a Aqua Pro Vac engineer or authorized Aqua Pro Vac Service center. Call **1-650-292-4445** or email service@aquaprovac.com

AFTER SALES SERVICE

Should you require after sales service, please email service@aquaprovac.com. Repairs and servicing of our products should only be performed by trained staff. Improper repairs can cause considerable damage and invalidate your warranty.

GUARANTEE & WARRANTY

Your product is guaranteed for one year from the date of the original purchase, against manufacturer defects. Within the guarantee period, Aqua Pro Vac will undertake, at our discretion, to repair or replace free of charge to the purchaser, any part found to be defective, subject to the following conditions:

CONDITIONS

1. For claims under this guarantee contact Aqua Pro Vac at **650 292 4445**
2. Neither Aqua Pro Vac nor its distributors shall be liable for any incidental or consequential loss.
3. Claims made under the terms of the guarantee must be supported by the original invoice issued at the time of sale, and the machine's serial number.
4. This guarantee does not cover any of the following:
 - Periodic maintenance and repair or replacement of parts due to normal wear and tear
 - Damage caused by operator abuse, misuse or neglect, accident, or fitting of parts that are not genuine Aqua Pro Vac parts.
 - Defects as a result of using non-genuine parts, or repairs, modifications, or adjustments performed by other than a Aqua Pro Vac service engineer or authorized service center.
 - Costs and risks of shipping relating directly or indirectly to the guarantee of this product.
5. This guarantee is governed by the laws in the USA.
6. This guarantee does not affect your statutory rights, nor your rights against the supplier arising from their sales or purchase contract.

TROUBLESHOOTING

PROBLEM	REASON	SOLUTION
THE SPRAY PUMP AND VACUUM DO NOT WORK	POWER FAILURE	CHECK THE MAIN FUSE, THE POWER SUPPLY CORD AND PLUG.
NO SPRAY OR THE SPRAY IS NOT EVEN	SPRAY NOZZLE BLOCKED SOLUTION TANK IS EMPTY SOLUTION FEED FILTER BLOCKAGE	CHECK THE SPRAY PIPE AND THE NOZZLE. DISCONNECT AND RECONNECT THE WATER TUBE. CHECK FOR WATER IN THE TANK. IF THERE IS WATER IN THE TANK, WAIT A FEW SECONDS FOR THE PUMP TO BUILD UP PRESSURE IF THE TANK IS EMPTY, FILL AS INDICATED THE FILTER IN THE DEAN WATER TANK, THE PIPE, OR THE NOZZLE MAY BE BLOCKED. SWITCH OFF THE UNIT AND PERFORM MAINTENANCE
THE VACUUM POWER FALLS	THE WASTE TANK MAY BE FULL	EMPTY WASTER WATER TANK

SPECIFICATIONS

MODEL:	AQUAPROVAC	PUMP PRESSURE:	4 bar / 58 psi
RATED VOLTAGE:	120 v	FLOW RATE:	2 litres(.53gal)/minute
SOLUTION TANK CAPACITY:	1.72 gal / 6.5 L	VAC HOSE LENGTH:	3 meters / 5.91 feet
WASTE WATER TANK:	1.85 gal / 6.5 L	NOISE LEVEL:	78db (A)
RATED CURRENT:	5.5A	MAXIMUM AIR FLOW:	63.5 cu. ft./min
MOTOR POWER:	1100W	MAXIMUM WATER LIFT:	78-83 H ₂ O in.
AIRFLOW:	46.1lsee/sec	BODY DIMENSIONS:	14.37"W x 20.87"D x 16.93"H
PUMP POWER:	50 W	WEIGHT EMPTY:	22 lbs.



PROFESSIONAL CARPET & UPHOLSTERY CLEANER



Please take a moment to scan the QR code before using the machine.
It links to a webpage on how to set up the Aqua Pro Vac Extractor
and some pro tips on getting the most out of your machine.

If you have any questions or concerns, please call us at **1-650-292-4445**
or email us at **service@aquaprovac.com**