



aquada

pro steamer

PROFESSIONAL STEAM CLEANER

USER GUIDE





CONTENTS

PAGE	SECTION
2	PARTS LIST & DESCRIPTION
3	BEST PRACTICES & TROUBLESHOOTING TIPS
4	FUNCTIONS & ADDING WATER
5	OPERATING INSTRUCTIONS
6	ACCESSORIES AND HOW TO USE THEM ASSEMBLY & INSTALLATION OF CLOTH SET
7	SAFETY WARNINGS AND PRECAUTIONS
8	WARRANTY INFORMATION

Thanks for buying the Aqua Pro Steamer

We're glad you purchased our best-selling steamer. Everything we know about auto detailing and upholstery care went into the design and construction of this complete cleaning system.

We stand behind the Aqua Pro Steamer with a knowledgeable and dedicated Consumer Service team, so if you ever have a question or problem, you'll receive fast, considerate assistance. Your Aqua Pro Steamer is well made, and we back it with a limited one-year warranty.

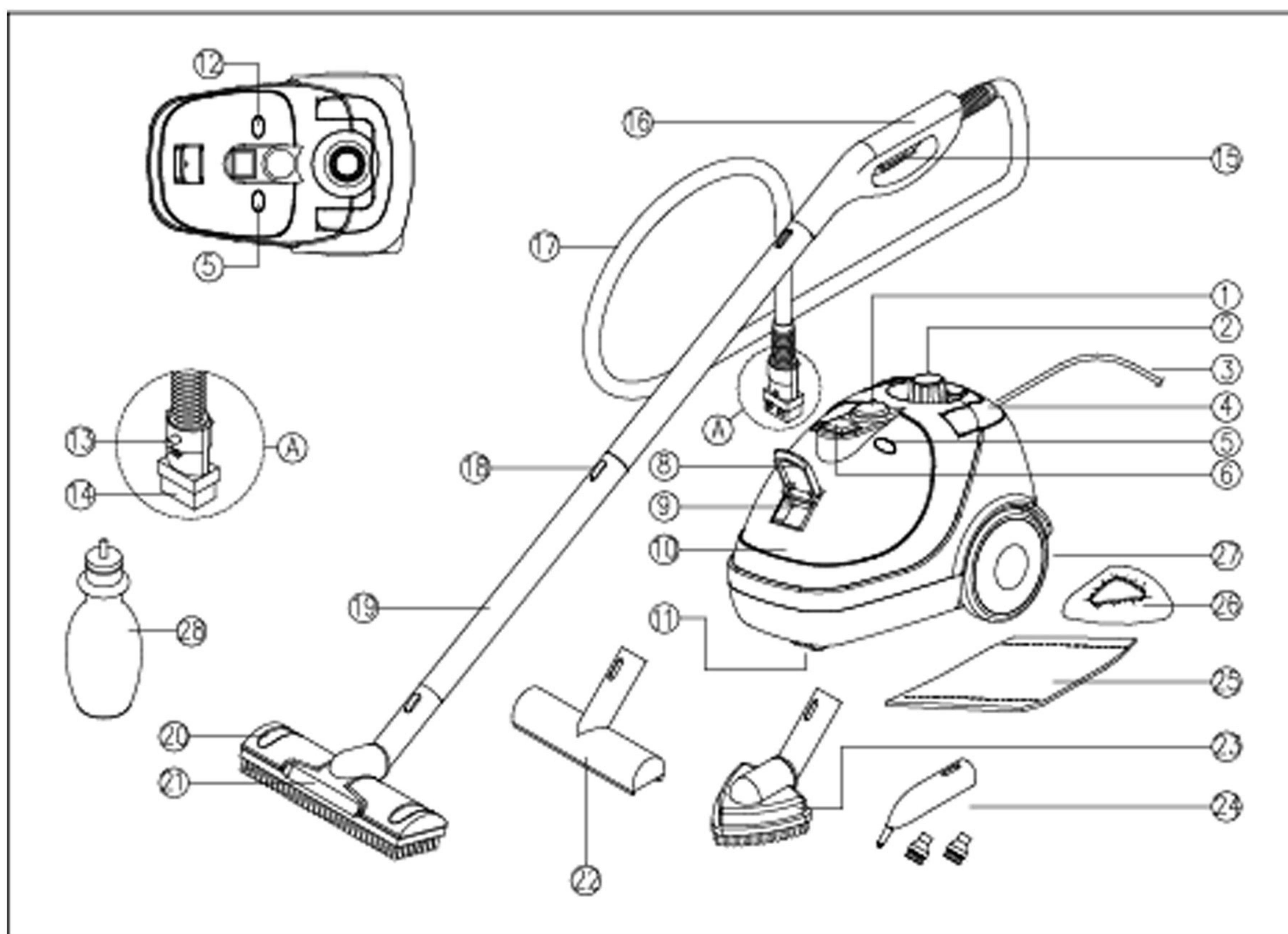
We look forward to hearing about your experience with our products and, if at any time you require anything from us, please call us at 1-650-292-4445 or email at service@aquaprosteamer.com

Thanks again, from all of us at EquipMaxx

Sincerely,

Bryan Watson
CEO

PARTS LIST & DESCRIPTION



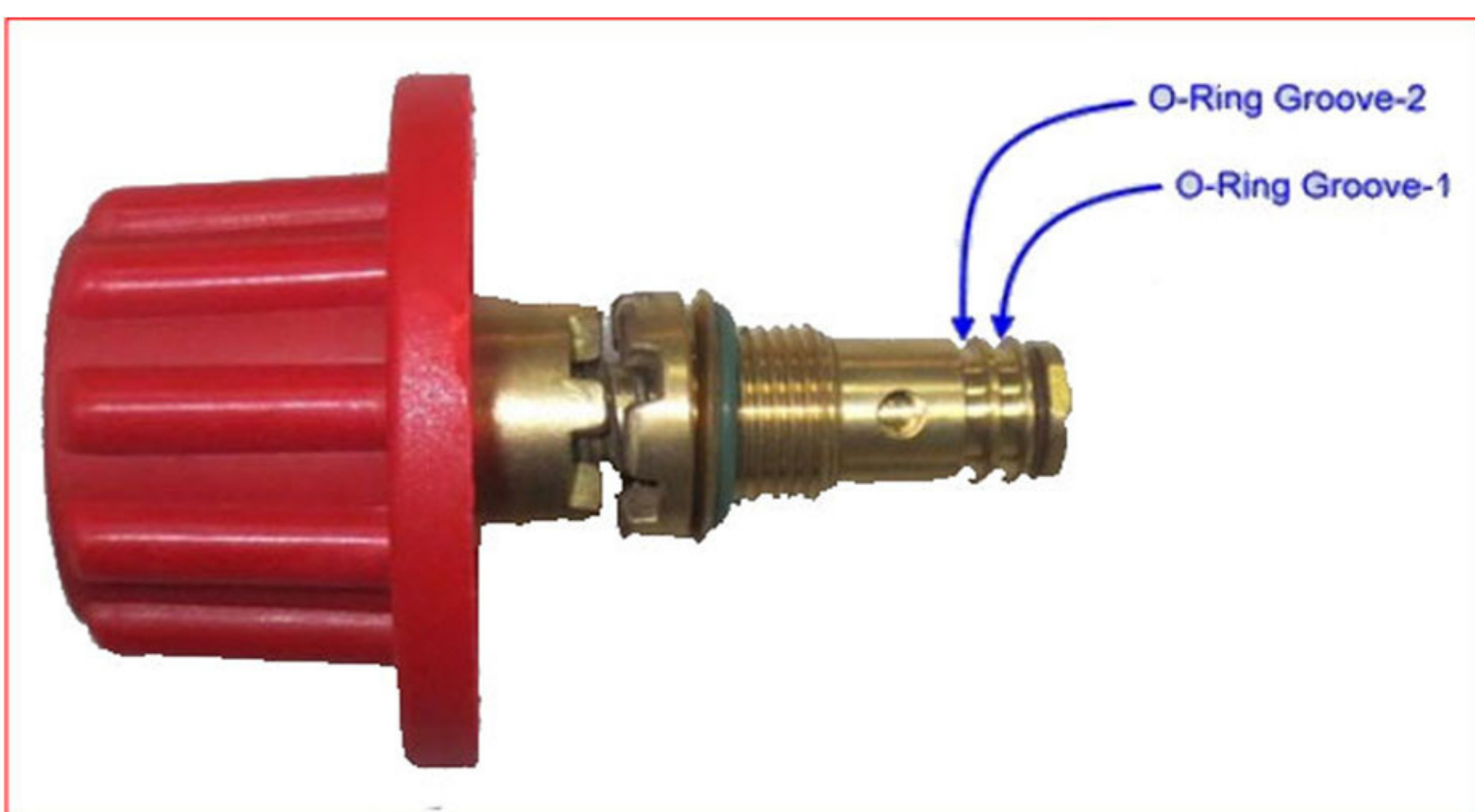
MACHINE PART NAMES

- | | |
|--------------------------|---------------------------------------|
| 1. VARIABLE STEAM KNOB | 15. STEAM RELEASE TRIGGER |
| 2. WATER TANK CAP | 16. HANDLE |
| 3. POWER CORD | 17. HOSE |
| 4. CARRYING HANDLE | 18. LOCKING PIN |
| 5. EMPTY WATER INDICATOR | 19. EXTENSION TUBE |
| 6. POWER SWITCH | 20. CLAMP FOR CLOTH |
| 7. REAR WHEEL | 21. CARPET TOOL |
| 8. PROTECTIVE COVER | 22. SQUEEGEE TOOL |
| 9. SOCKET | 23. TIGHT SPACE TOOL |
| 10. BODY | 24. JET NOZZLE WITH 2 CREVICE BRUSHES |
| 11. WHEEL | 25. SQUARE CLOTH PAD |
| 12. STEAM INDICATOR | 26. TRIANGLE CLOTH PAD |
| 13. FIXING BOLT | 27. FILLER BOTTLE |
| 14. HOSEPLUG | |

BEST PRACTICES & TROUBLESHOOTING TIPS

Troubleshooting Tips

■ IF YOU NOTICE THE STEAM STARTS COMING OUT AT THE BOTTOM OF THE MACHINE, REMOVE THE RED CAP AND CHECK IF THERE ARE ANY MISSING O-RINGS (SEALS). YOU MAY NEED TO REPLACE THE O-RINGS ON THE RED CAP TO FIX THIS ISSUE.

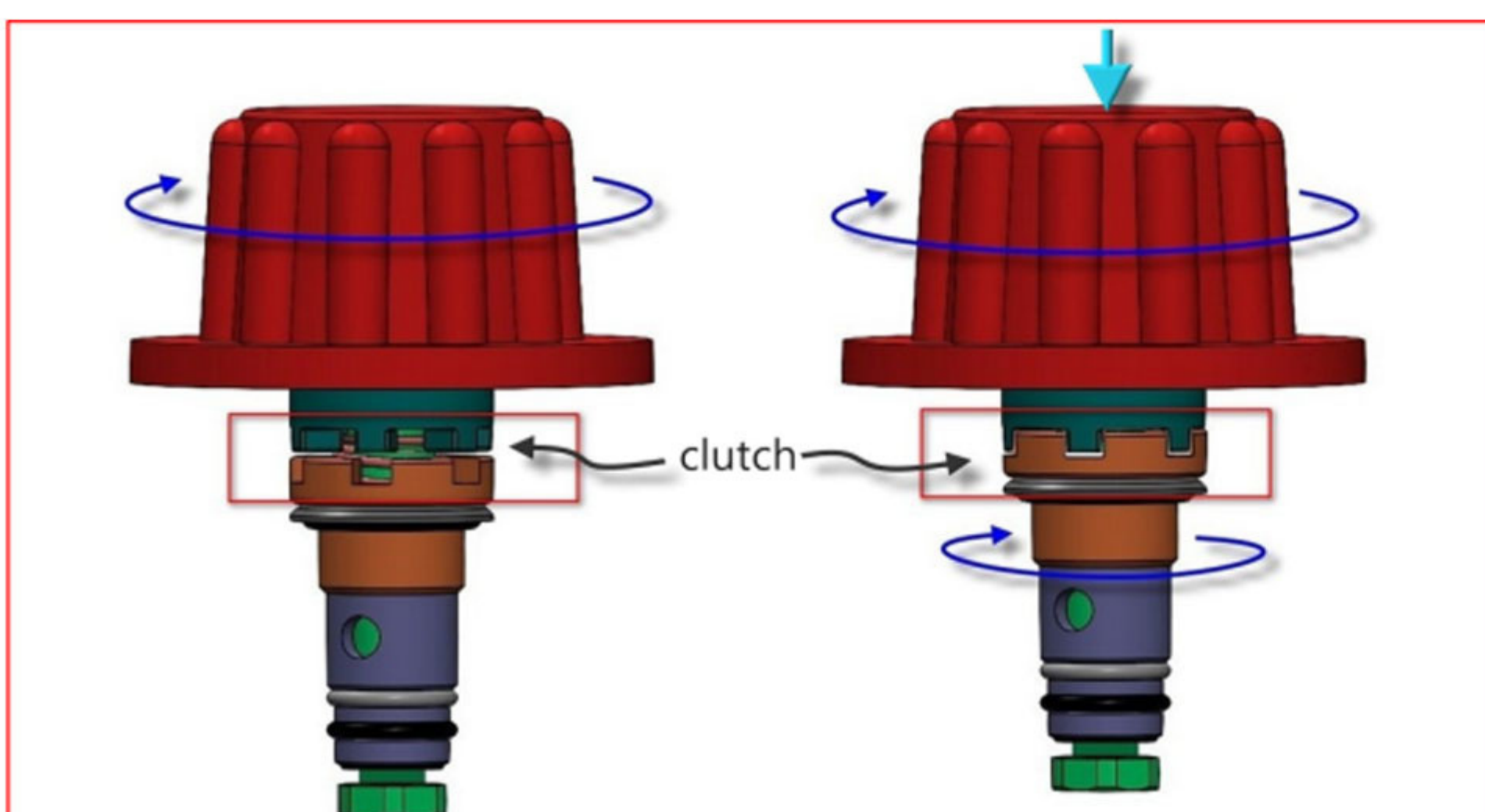


Best Practices

■ TO MAKE SURE YOUR MACHINE CONTINUES TO WORK FLAWLESSLY, PLEASE REMEMBER TO DESCALE YOUR MACHINE REGULARLY, WE RECOMMEND EVERY MONTH OR SO. TO DESCALE THE STEAMER, YOU CAN USE THE INCLUDED PACK OF CITRIC ACID INSIDE THE BOX, OR A MIXTURE OF 80% WHITE VINEGAR AND 20% DISTILLED WATER.

■ IT IS VERY IMPORTANT THAT YOU USE DISTILLED WATER OR 'PURE' WATER IN THE MACHINE AT ALL TIMES, THIS WILL PREVENT CALCIFICATION (THIS IS THE SAME WITH ALL STEAMERS).

■ IF THE RED CAP GOT STUCK IN THE MACHINE AND YOU CAN'T REMOVE IT, EXPEL ALL OF THE STEAM BY PRESSING DOWN ON THE CAP AND THEN ALLOWING THE TANK TO COOL DOWN, WHILE PRESSING DOWN ON THE CAP TURN COUNTER-CLOCKWISE. IF THIS DOES NOT WORK THEN IT MAY BE THAT THE CLUTCH IS STUCK AND NOT RELEASING. IN ORDER TO FREE THE CLUTCH YOU SHOULD PRESS DOWN FIRMLY AND SEVERAL TIMES TRY AND TURN THE CAP COUNTER CLOCKWISE. IF THERE IS ANY WATER UNDER PRESSURE IN THE TANK THERE IS A SAFETY MECHANISM IN THE CAP, THAT WILL NOT ALLOW IT TO BE OPENED THIS IS GOVERNED BY A 'CLUTCH' PICTURED HERE.

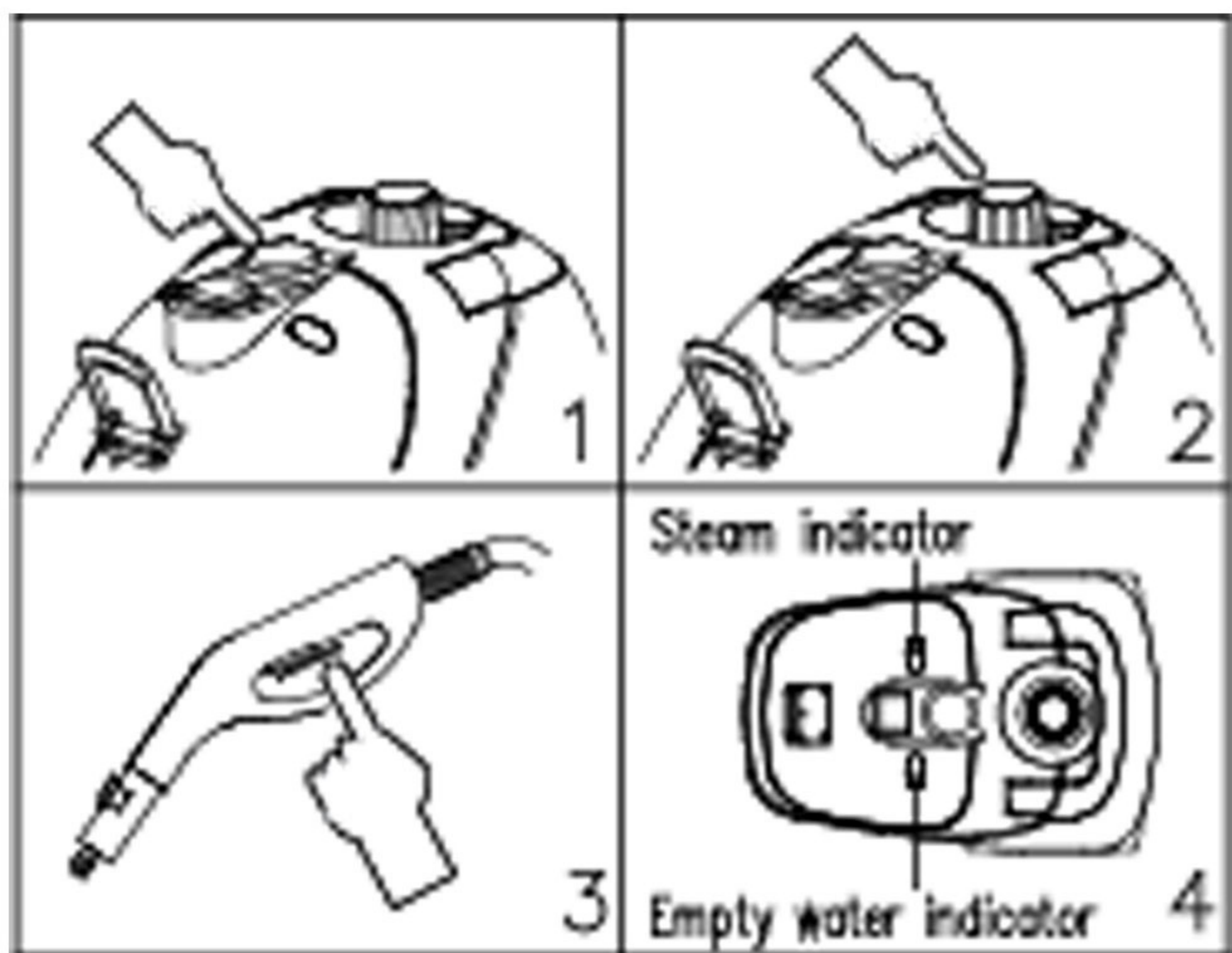


FUNCTIONS & ADDING WATER

FUNCTIONS

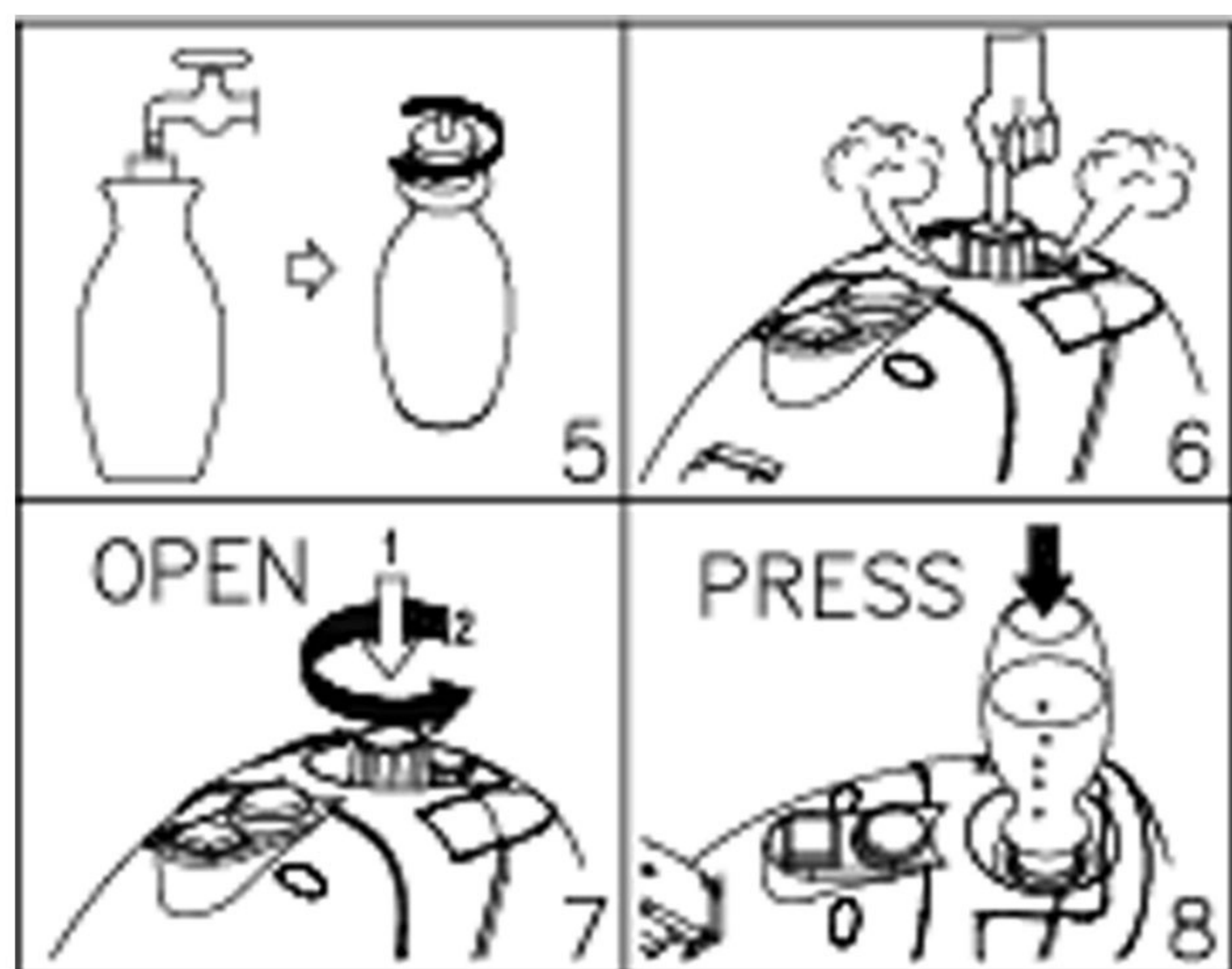
THIS STEAM CLEANER HEATS WATER TO GENERATE HIGH PRESSURE AND HIGH TEMPERATURE STEAM TO CLEAN ARTICLES, AND KILL BACTERIA. FOLLOW THE SAFETY REGULATIONS AS WELL AS THE CORRECT OPERATING PROCEDURES DESCRIBED IN THIS MANUAL FOR TROUBLE-FREE AND SAFE OPERATION.

1. VARIABLE STEAM KNOB: FOR ADJUSTING STEAM TO HIGHER/LOWER PRESSURE (FIG 1).
2. WATER TANK CAP: FUNCTIONS AS SAFETY VALVE (FIG 2)
3. STEAM RELEASE TRIGGER: CONTROLS STEAM OUTPUT (FIG 3)
4. STEAM INDICATOR: WHEN THE WATER BOILS, THE STEAM INDICATOR LIGHT WILL COME ON (FIG 4) IN GREEN SHOWING THE STEAMER IS READY TO BE USED.
5. EMPTY WATER INDICATOR: WHEN THE STEAM IS DEPLETED, THE EMPTY WATER INDICATOR LIGHT WILL COME ON IN RED (FIG 4), INDICATING THAT WATER NEEDS TO BE ADDED. FOR REFILLING INSTRUCTIONS (REFER TO FIGS. 5 - 8) BELOW.



ADDING WATER

1. PRIOR TO ADDING WATER, MAKE SURE TO TURN THE POWER OFF & UNPLUG THE POWER CORD. KEEP THE STEAM CLEANER FLAT ON THE FLOOR (NOT UPRIGHT).
2. FILL THE BOTTLE WITH UP TO MAX 0.40 GAL OF DISTILLED WATER. DO NOT OVERFILL. AND SCREW ON THE BOTTLE TOP.
3. CAUTION: IF ADDING WATER WHEN THE STEAMER IS HOT, USE ONE CLOTH-COVERED FINGER (NOT FULL HAND) TO PUSH DOWN WATER TANK CAP (AS SHOW IN FIG 6). ENSURE ALL STEAM IS COMPLETELY RELEASED BEFORE REFILLING. 4. WHEN ADDING WATER TO THE STEAMER WHEN COLD SIMPLY PRESS ON THE RED CAP AND TURN IT COUNTER



OPERATING INSTRUCTIONS

ADDING WATER (CONTINUATION)

5. TURN THE BOTTLE UPSIDE DOWN AND FIT IT INTO THE STEAMER'S WATER INLET. CAUTION/WARNING : HEATER SHOULD NOT BE SWITCHED ON! PRESS THE BOTTLE TO RELEASE WATER FROM THE BOTTLE INTO THE WATER TANK (FIG 8).

6. ONCE THE WATER TANK HAS BEEN FILLED (IMPORTANT: LEAVE SPACE IN TANK), SIMPLY DEPRESS AND TURN THE WATER TANK CAP CLOCKWISE TO LOCK IT. IMPORTANT: AFTER EACH ALWAYS DRAIN OUT ANY REMAINING WATER BEFORE STORING. DO NOT LET WATER SIT IN THE MACHINE.

OPERATING INSTRUCTIONS

1. ON FIRST USE, TURN AND OPEN THE CAP OF THE WATER TANK AND FILL WITH CORRECT AMOUNT OF DISTILLED WATER FROM THE BOTTLE, THEN CLOSE/LOCK THE WATER TANK CAP. DO NOT FILL TO THE TOP, LEAVE SOME SPACE.

2. PLUG THE HOSE PLUG INTO THE SOCKET (FIG 9), SLIDE THE ROUND HOLE INTO THE FIXING BOLT (FIG 10) THEN CONNECT TOOLS OR EXTENSION TUBE(S) AS REQUIRED TO THE HANDLE (FIG 11).

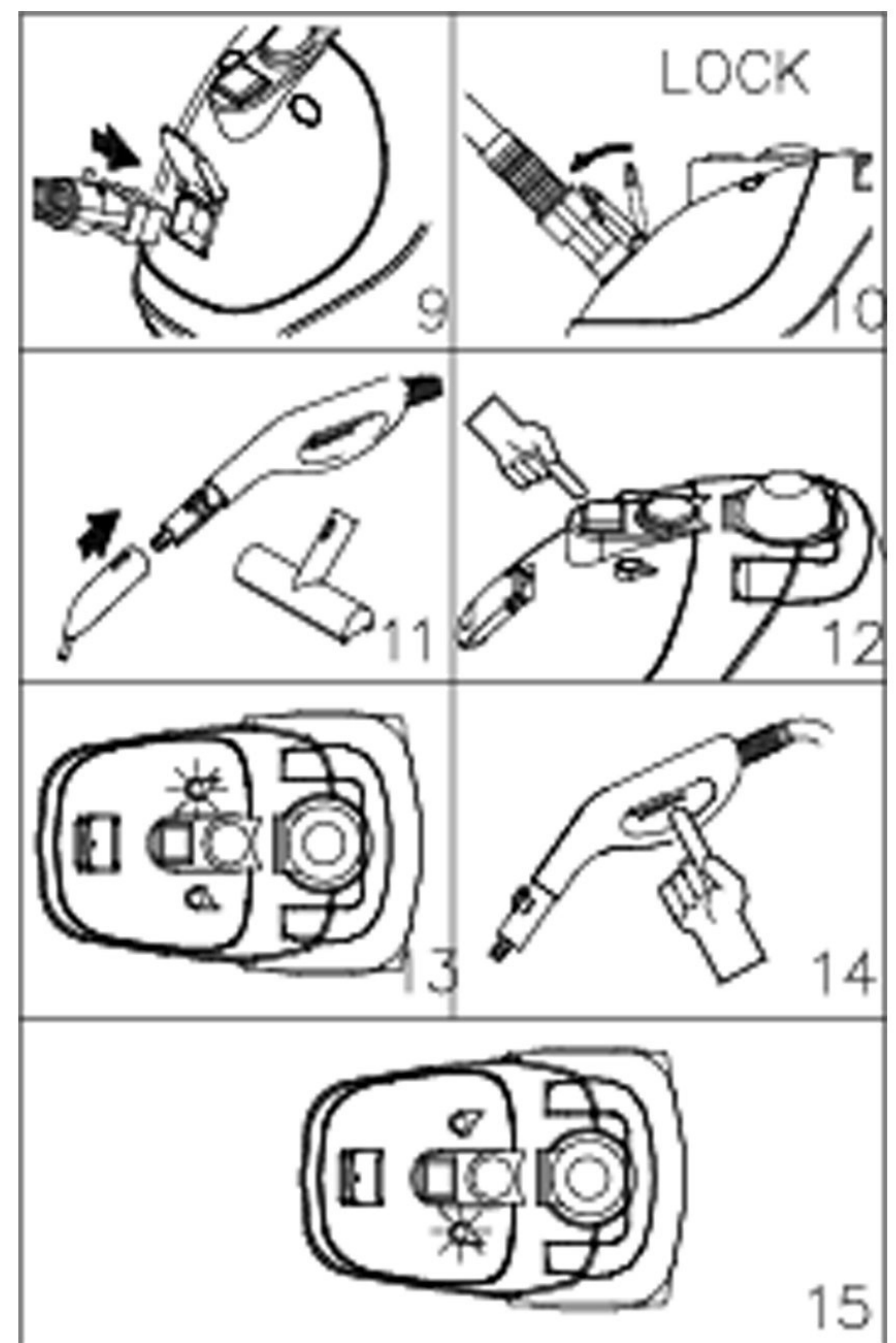
3. CONNECT THE POWER CORD INTO THE POWER OUTLET, PRESS THE ROCKER POWER SWITCH TO ON POSITION TO HEAT (FIG 12). DEPENDING ON THE AMOUNT OF WATER IN THE TANK, HEATING TIME WILL BE 10~15 MINUTES.

4. WHEN THE WATER REACHES CORRECT TEMP, STEAM INDICATOR LIGHT COMES "ON" RED (FIG 13) AND THE STEAM CLEANER IS READY FOR USE.

5. PRESS AND HOLD THE STEAM RELEASE TRIGGER (FIG 14) TO RELEASE AND CONTROL THE STEAM SPRAY.

6. START THE CLEANING PAYING ATTENTION TO THE SAFETY PRECAUTIONS. WHEN THE STEAM IS

DEPLETED, THE EMPTY WATER INDICATOR LIGHT COMES "ON" RED (FIG 15) INDICATING THAT THE WATER NEEDS TO BE ADDED. PLEASE REFER TO FIG 5 & 7 ABOVE.



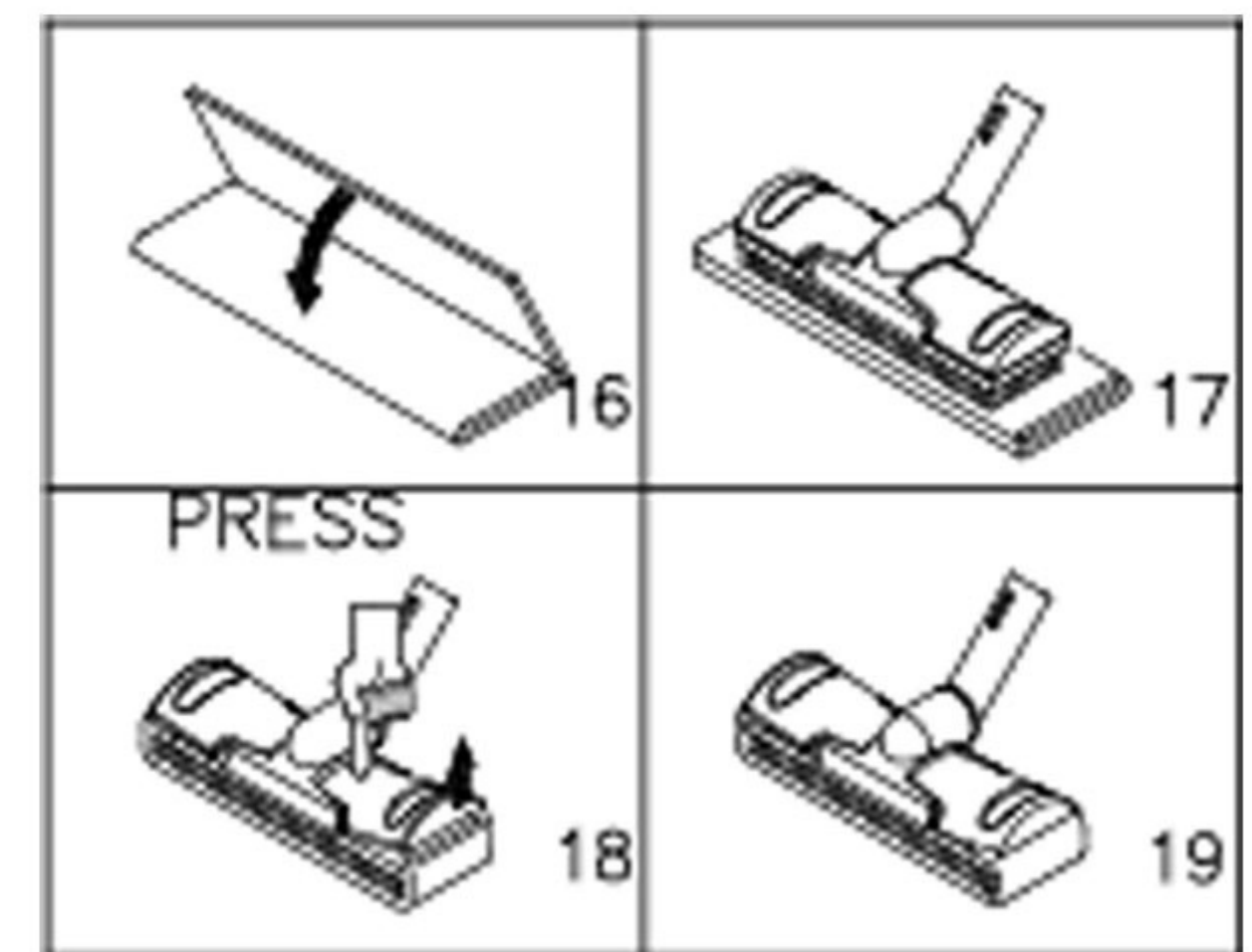
ACCESSORIES AND HOW TO USE THEM

ACCESSORIES	STEAM REGULATION	FOR CLEANING
1. CARPET TOOL + SQUARE TOOL	HIGH	FLOORS, TILES FLOORS, STONE FLOOR, CARPETS, OTHER LARGE SURFACES
2. TIGHT SPACE CLOTH + TRIANGLE CLOTH	MEDIUM	SOFAS, CHAIRS (NOT DRAYLON), TABLE, OTHER SMALL AREAS
3. SQUEEGEE TOOL	MEDIUM	GLASS, TILE WALLS
4. JET NOZZLE WITH 2 CREVICES BRUSHES	SMALL	GROUTING, GROOVES, GAPS, CORNERS, SPOT STAINS
5. JET NOZZLE	HIGH	CARE: VERY HOT STEAM, STUBBORN STAINS, LIMESCALE (NOT TOOL OLD), FINE SCREENS

CARE: JET NOZZLE MAY REMAIN HOT FOR A FEW MINUTES AFTER USE

ASSEMBLING & INSTALLATION OF CLOTH SET

- CARPET TOOL AND SQUARE CLOTH PAD
 - SPREAD THE SQUARE CLOTH PAD FLAT AND MAKE THREE FOLDS (FIG 16)
 - PLACE CARPET TOOL ON THE SQUARE CLOTH PAD (FIG 17)
 - PRESS DOWN THE CLOTH CLAMP PLATE AND PUSH THE SQUARE CLOTH PAD INTO THE NARROW SEAMS (AS FIG 18)
 - COMPLETED (AS FIG 19)
- TIGHT SPACE TOOL AND TRIANGLE CLOTH PAD OPEN UP THE TRIANGLE CLOTH PAD AND SLIDE INTO THE TIGHT SPACE TOOL



SPECIFICATIONS

POWER CONSUMPTION	1400 W
WATER TANK CAPACITY	1.5 L/0.40 GAL.
BOTTLE CAPACITY	1.7 L/0.45 GAL.
STEAM PRESSURE	400 KPA / 4 Bar / 58 PSI / 4 kg-cm ²
TEMPERATURE	145° C
OPERATION TIME	30 Minutes
BODY DIMENSION	36 cm X 24.5 cm X 19 cm
WEIGHT	4 kgs
HEAT-UP TIME	approx. 10-20 minutes

SAFETY WARNINGS & PRECAUTIONS

VOLTAGE USED MUST BE THE SAME AS THAT SPECIFIED.

- DO NOT ATTEMPT TO OPEN THE CLEANER'S BODY WHEN IN USE OR CONNECTED TO THE ELECTRICAL OUTLET.
- RED WATER TANK CAP GETS EXTREMELY HOT - TOUCH ONLY WITH ONE CLOTH-COVERED FINGER
- MAKE SURE ALL ATTACHMENTS ARE DRY PRIOR TO USE - ESPECIALLY THE HOSE PLUG WHERE IT FITS INTO THE FLEX HOSE ATTACHMENT SOCKET.
- WHEN THE STEAM CLEANER IS IN USE, ENSURE THE POWER CORD IS FULLY EXTENDED AND NOT COILED.
- CAUTION : DO NOT OPEN THE CAP OF WATER TANK WITHOUT DISCHARGING THE PRESSURE FIRST. SEE CORRECT FILLING PROCEDURE (FIG 5 & 7)
- HOT STEAM CAN CAUSE PERSONAL INJURY, DO NOT SPRAY STEAM AT PEOPLE, ANIMALS, PLANTS OR ELECTRICAL OUTLET.
- CAUTION: INCORRECT OR IRRESPONSIBLE USE MAY LEAD TO SCALDING/BURNING
- DO NOT USE THE STEAM TO CLEAN ELECTRICAL ITEMS, SWITCHES OR POWER SUPPLIES. THIS MAY CAUSE ELECTRICAL LEAKAGE AND MAY LEAD TO ELECTRIC SHOCK.
- DO NOT SUBMERSE THE APPLIANCE IN WATER OR SOLVENTS OR SPRAY IT WITH STEAM.
- DO NOT INTRODUCE ANY ORGANIC SOLVENT, CHEMICAL SOLVENT, OR ANYTHING OTHER THAN PURE CLEAN TAPWATER INTO THE TANK. THIS APPLIANCE USES TAPWATER ONLY. DO NOT BLOCK ANY STEAM OUTLET.
- DO NOT OPERATE THE APPLIANCE WITH WET HANDS.
- THE STEAMER SHOULD NOT BE COVERED IN ANY WAY. THIS COULD START HEAT DISSIPATION AND COULD LEAD TO DAMAGE OR MALFUNCTION OF THE STEAMER WHEN ADDING WATER INTO THE WATER TANK AFTER PREVIOUS USE, BE SURE TO DISCHARGE ANY REMAINING STEAM BY OPENING THE WATER TANK CAP AND LET THE WATER TANK COOL FOR APPROX 5 MINUTES BEFORE ADDING WATER. THIS IS TO AVOID POSSIBLE RAPID EJECTION OF PRESSURIZED HOT STEAM. THIS APPLIES EVEN WHEN THERE IS NO WATER IN TANK, TANK WALLS MAY STILL BE HOT. AS AN EXTRA PRECAUTION, AFTER 5 MINS REFILL WITH WARM, NOT COLD WATER.
- CHILDREN OR PERSONS UNFAMILIAR WITH THE OPERATIONS AND SAFETY INSTRUCTIONS MUST NOT OPERATE THE STEAM CLEANER, AND SHOULD BE KEPT CLEAR OF THE WORKING AREA.
- DO NOT POUR OUT THE WATER FROM THE WATER TANK WHILE IT IS STILL HOT.
- DO NOT CONNECT TO POWER SOURCE FOR HEATING WHILE THERE IS NO WATER IN THE WATER TANK OR DURING REFILLING OPERATIONS.

WARRANTY

SAFETY PRECAUTIONS (CONTINUATION)

- DO NOT CONNECT TO A POWER SUPPLY IF THERE IS NO WATER IN THE TANK.
- IF THE APPLIANCES MALFUNCTIONING, DISCONTINUE USE IMMEDIATELY.
- DAMAGED POWER SUPPLY CORD MUST BE REPLACED BY EQUIPMAXX SERVICE CENTER.
- THE WATER TANK SHOULD BE DESCALED REGULARLY ACCORDING TO FREQUENCY OF USE AND HARDNESS CONDITIONS OF LOCAL WATER.

GUIDELINES: ONCE PER MONTH (REGULAR USE); EVERY 2 MONTHS (LIMITED USE).

TO DESCALE: FILL THE WATER TANK AS NORMAL AND ADD ONE SACHET OF CITRIC ACID PROVIDED (OR 40 ML OF VINEGAR), THEN USE AS NORMAL.

- A SMALL AMOUNT OF STEAM ESCAPING FROM THE WATER TANK SCREW CAP ONCE YOU HAVE CLOSED IT INDICATES THAT THE O-RING MAY NEED REPLACING. REMOVE THE OLD O-RING, REPLACE IT WITH A NEW ONE PROVIDED WITH YOUR APPLIANCE REPLACE THE BOLT, BE SURE NOT TO OVERTIGHTEN IT.
- EVERY 3-4 MONTHS APPLY A LITTLE VASELINE TO THE CAPTHREAD, THE HOSE CONNECTION ON THE UNIT, AND EXTENSION TUBE NIPPLES TO PREVENT STICKING TIGHT AND CONTINUING EASE OF OPERATION.
- DO NOT UNDERTAKE ANY OTHER MAINTENANCE YOURSELF - DANGER OF INJURY. ALSO, YOUR PRODUCT GUARANTEE MAY WELL BE INVALIDATED.

WARRANTY

THIS PRODUCT IS WARRANTED FOR 12 MONTHS FROM DATE OF PURCHASE TO BE FREE FROM MANUFACTURING DEFECT AT THE TIME OF PURCHASE. PLEASE RETAIN YOUR PURCHASE RECEIPT AS PROOF OF DATE OF PURCHASE WILL BE REQUIRED. THE WARRANTY OPERATES IN THE BRITISH ISLES ONLY FOR THE ORIGINAL PURCHASER AND IS FOR NORMAL DOMESTIC HOUSEHOLD USE ONLY AND ONLY FOR USE STRICTLY IN ACCORDANCE WITH THE OPERATING AND SAFETY INSTRUCTIONS IN THIS BOOKLET. IN THE EVENT OF A CLAIM UNDER THIS WARRANTY. PLEASE CONTACT OUR SERVICE CENTRE.



PROFESSIONAL STEAM CLEANER



Please take a moment to scan the QR code before using the machine.
It links to a webpage on how to set up the Aqua Pro Steamer and
some important tips on keeping it in top working condition.

If you have any questions or concerns, please call us at **1-650-292-4445**
or email us at **service@aquaprovac.com**