

# Garden Nation Full Steel 3X3M Gazebo

CAM0640

garden  
nation

Outdoors, inspired

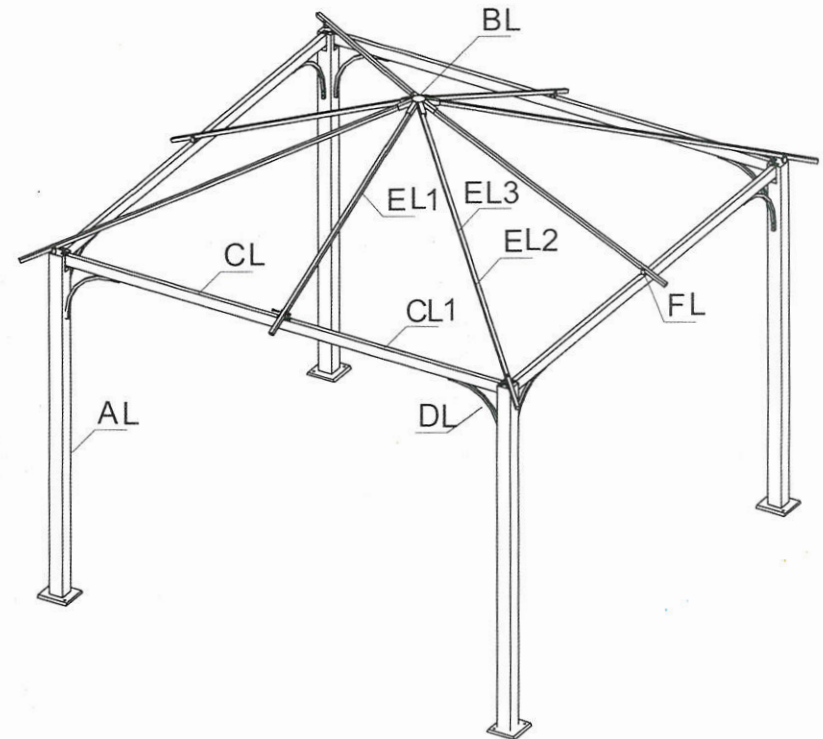


Produced under the Garden Nation brand for Scotts Solus Brand  
Berry Hill Industrial Estate, Droitwich, Worcestershire WR9 9AB

This Gazebo requires a minimum of 2 people for assembly. The tools required are also included. Please check all the components are present before assembly and use the packaging from this product to protect the components from damage prior to assembly. Please retain these instructions for future reference.

Component list:

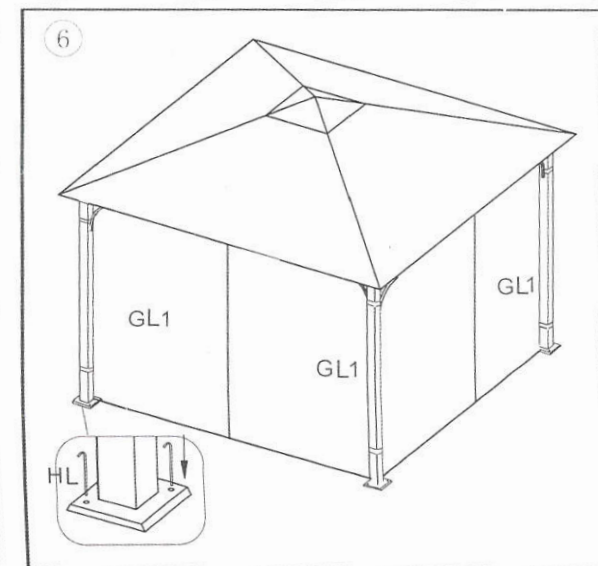
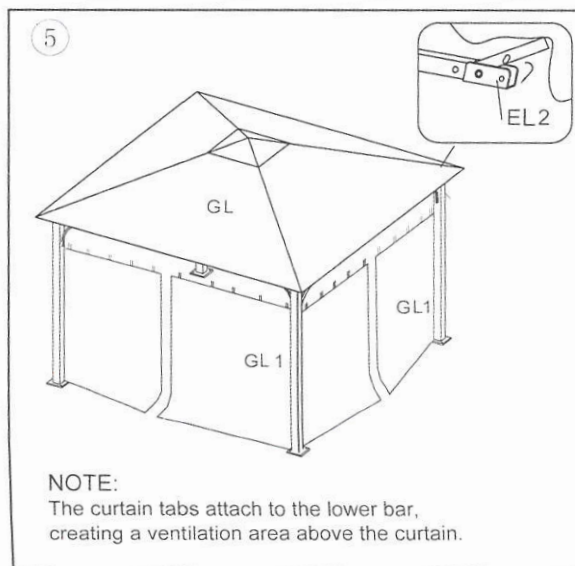
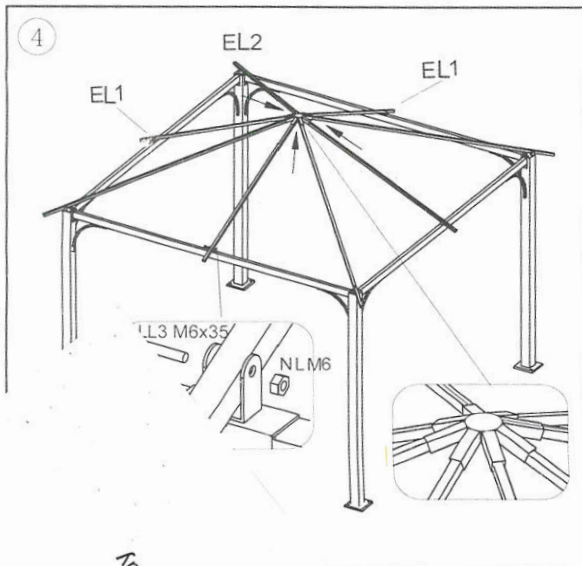
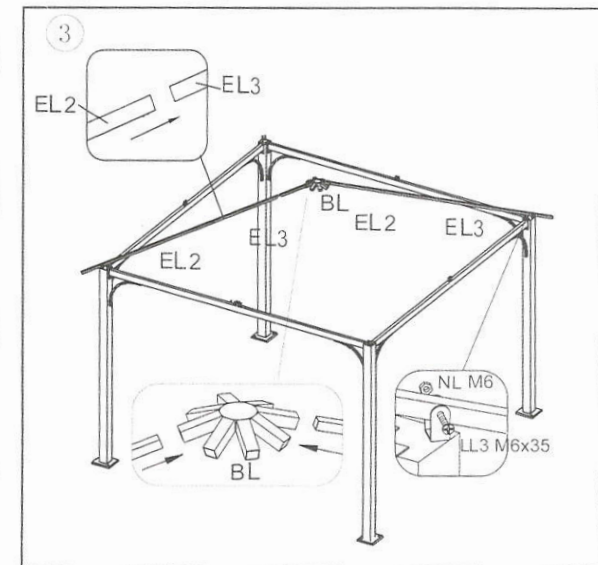
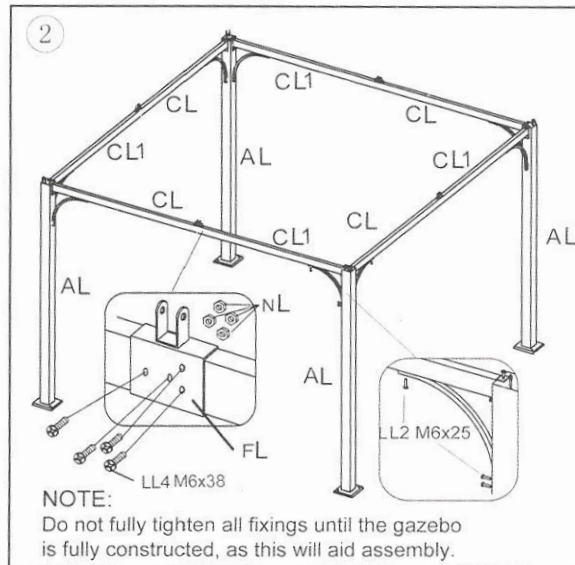
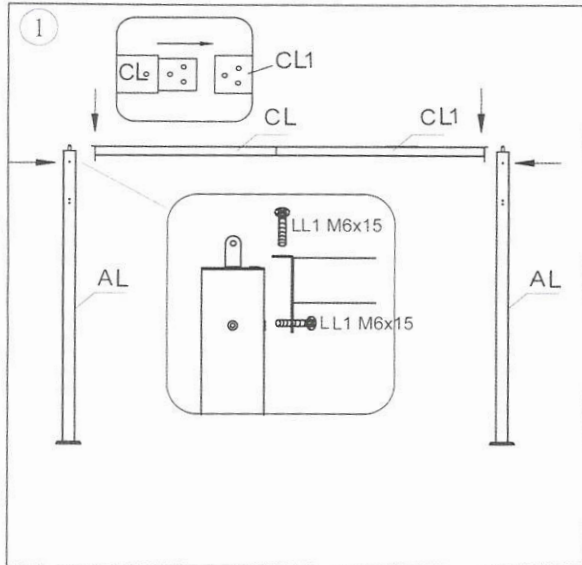
ALx4	BLx1	CLx4	CL1x4	DLx8	EL1x4
EL2x4	EL3x4	FLx4	GLx1	GL1x4	HLx8
LL1x16	LL2x24	LL3x8	LL4x16	NLx24	KLx2
M6x15mm(L)	M6x25mm(L)	M6x35mm(L)	M6x38mm(L)	M6	



Note:

1. This gazebo requires a minimum of 2 people for assembly.
2. For safety, when building the gazebos, step ladders should be used when working above ground level.
3. In the unlikely event that any components are either damaged or missing, please return the complete item to the retail outlet from where it was purchased. This does not affect your statutory rights.

Produced under the Garden Nation brand for Scotts Solus Brand, Droitwich, Worcestershire WR9 9AB.



rip Windy

ed as a sunshade and should not be left out during high winds as it could be damaged. It is recommended  
 roof canopy when not in use. Although tent pegs are supplied, it is recommended the frame be screwed  
 is to be left out.  
 enjoyed.



Thank you for purchasing this product from Garden Nation! To make sure it stays looking at its best, please follow the guidelines listed below:

### **Furniture & BBQ Covers**

The Camelot sub brand of Garden Nation offers a range of 24 covers, ideal for protecting all of your outdoor furniture, BBQs, parasols, benches etc. when they're not in use. We recommend using one of our covers to prolong the life of your purchase, even when stored indoors. Your cover will protect from UV damage and rain damage, pollution, frost, bird fouling, dirt, grime and falling tree sap.

### **General guidelines for all outdoor furniture products**

Make sure to clean your product(s) on a regular basis with a damp cloth. Check all bolts are tight and secure on a monthly basis before use. If scratches occur, paint over them with a primer to ensure that the exposed steel under the scratch is not left open to the elements. Lightly oil any moving parts, but take care not to stain any fabric on your furniture. Always cover your items in bad weather and store them away during the winter months.

### **Looking after your product(s)**

#### **Gazebos**

Do not leave out in high winds or heavy rain. Most of our gazebos have PVC lined roof canopies which are shower resistant. However, gazebos are sunshades and should not be used to shelter people from extreme weather. They should also not be used to cover any electrical items, such as hot tubs etc. In heavy wind remove the canopy, nets and curtains. Do not allow rainfall to settle on the top of your roof, as this will stretch the canopy. During the winter months it is best to dismantle your gazebo in full and store under cover.

For additional security, our 500ml protective spray will keep your gazebo's roof and curtains clean by providing a thin, invisible coating. This spray is suitable for any garden furniture fabric and should be used as and when required - preferably at the start, middle and end of a season. Our Fabric Protector can also be used on cushions, parasols, or furniture covers, and is available to purchase at all good garden centre stockists.

#### **Parasols**

Prevent tipping or damage by storing your parasol away in wet and windy conditions. Always be aware when the parasol is open and unattended - even on a summer day - the slightest gust of wind can cause damage. Ensure your parasol is secure on the ground by placing it in a weighted Garden Nation base. Parasols should be either packed away in a dry place after use, or covered with a Camelot Parasol Cover.

If you are free standing a parasol, a minimum of weight of 25kg will be required to hold it into position. If your parasol is to be inserted into a set of furniture then a 15-20kg base may be used.

#### **Folding Chairs**

Always fold away any chairs when not in use. They can either be stored in a dry place, or covered with a Camelot Chair Cover. Even all-weather textile fabrics will last longer if stored with care. Check the frames of steel furniture regularly, and apply a touch up paint on any damaged surfaces to prevent rust forming. Whilst aluminium chairs won't rust, careful storage will prevent wear and tear over time. Always pay attention to how your chair reclines or folds, and take care not to trap fingers in folding areas.

#### **Hammocks**

Always remove the canopy in severe weather conditions. Between uses, always ensure that the canopy is adjusted and tilted so that rain water doesn't settle on it. Conditions can cause damage to your canopy. Remove cushions when not in use, storing them in a dry place. When not in use, cover the frame with a Camelot Hammock cover.

### **Cushions**

All of our cushions conform to UK Fire Treatment Laws and are fire resistant. This treatment sometimes gives a waxy feel to the fabric - this is normal and will dissipate over time. It is not advised to wash our cushions, as most are crumb filled - to clean any marks use warm, soapy water and a damp cloth. As our cushions are not waterproof, they should be stored indoors during harsh weather, and when not in use.

### **Occasional Furniture**

The majority of our Tea for Two/ Four sets fold down completely, although this can be a burden to keep storing away in bad weather. To keep your set looking good at all times, remove any excess water as it appears on surfaces, making sure that it doesn't settle. Always cover up your furniture with one of our tailor made covers - especially in the winter months. It's best to store steel furniture in a garage or shed when not in use.

Our range of Antique & Heritage furniture has been made to look pre- weathered, but remember that all steel will rust over time, so keep it protected! Give nuts and bolts an occasional check to make sure they are secure.

### **Outdoor Lighting**

#### **Solar**

Most of our Solar Lighting range is Multicolour changing & we only use Monocrystalline solar panels. To keep your lights working properly make sure they are kept in an area where there is plenty of light/sunlight. All our products have batteries included. Periodically check that the batteries are working and replace if necessary.

#### **Candle Lanterns**

They provide an ambient glow at night but they can be dangerous ! Never leave a candle unattended, always place them in a suitable holder to contain spills and drips and ensure it is placed on a heat resistant surface. Keep them away from draughts and heat sources.

When extinguishing always snuff out the candle and do not blow or use liquids.

The lantern can get very hot so always allow the unit to fully cool down before moving.

Keep the wax pool clear of debris to avoid flaring and keep out of reach of pets & children.

### **Outdoor Fire pits & Fireplaces**

Please refer to your product instructions before using these products.

General care & use:

Ensure the Fireplace or Fire pit is positioned on a permanent flat stable, level heat resistant non-flammable surface away from flammable items. Ensure there is a minimum of 2m clearance from other surrounding items.

Do not move the unit when in use as it will be very hot. The paint finish will begin to burn off with use, repaint as necessary with suitable heat proof stove paint.

These products are for keeping warm on a patio and must not be used to barbeque or cook food on. They are designed to burn kindling or wood and should not be used with any other fuels like fire gel etc. When starting the fire light add a small quantity of kindling wood & rolled newspaper and allow the flame to build up. Once sufficiently alight add a small log and allow to burn slowly. Once this log is fully alight add more logs as required.

#### **DO NOT OVERLOAD WITH FUEL.**

Always protect your hands with fire gloves when adding more fuel.

To extinguish - stop adding fuel and allow the fire to die down. The fuel can also be doused with sand. NEVER USE WATER !! As rapid cooling will damage your unit.

When storing away ensure that your unit has fully cooled down. If your unit is to be left outside Garden nation suggests covering it with a Camelot cover. The Garden nation range of fire pits can be folded away and stored in a shed or garage when not in use.

Always ensure the units are completely cooled down.



**General Warnings**

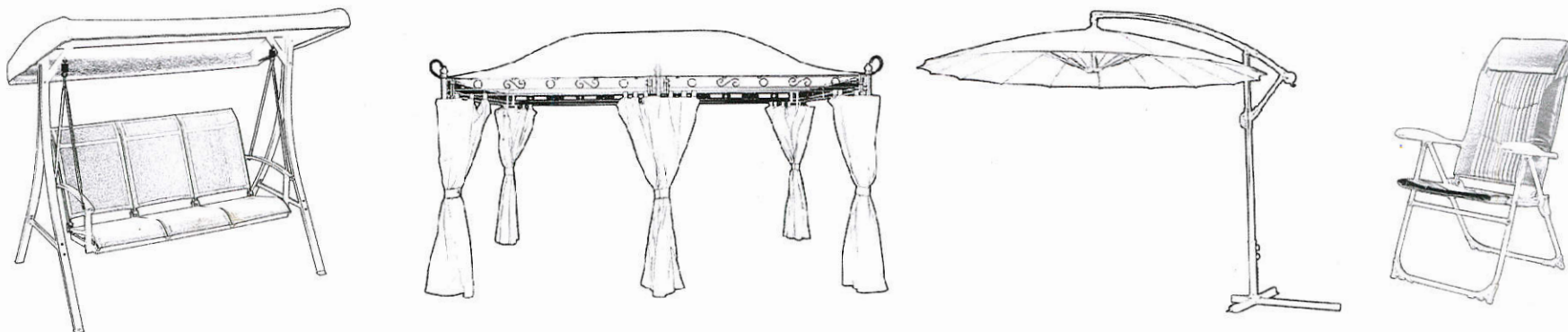
In severe rain, water may be able to enter your product - this may cause a build-up of moisture which can penetrate the bolts and cause them to rust. If the product is steel the same will occur on the inside of the tubular frame. After prolonged rain, take care when moving your furniture, as orange rust coloured water can build up inside and escape, potentially staining your clothes or your patio.

We cannot accept responsibility for damage incurred in severe weather conditions. For further info on how to prevent weather damage – particularly for gazebos, hammocks and parasols - please refer to your instruction manual.

When storing away canopies or cushions etc please ensure that they are stored in dry conditions preferably at room temperature, ensure they are not wet before or damp when storing them.

N.B Materials/ fabrics will fade with exposure to the elements, and parts will naturally degrade over time.

Produced under the Garden nation brand for Scotts Solus Brand, Berry Hill Industrial Estate, Droitwich, Worcestershire, WR9 9AB



**Find Us Online**

You can find even more info on the Garden Nation range, including videos on assembling our products, at our website [www.gardennation.com](http://www.gardennation.com)

Visit 'Garden Nation':

