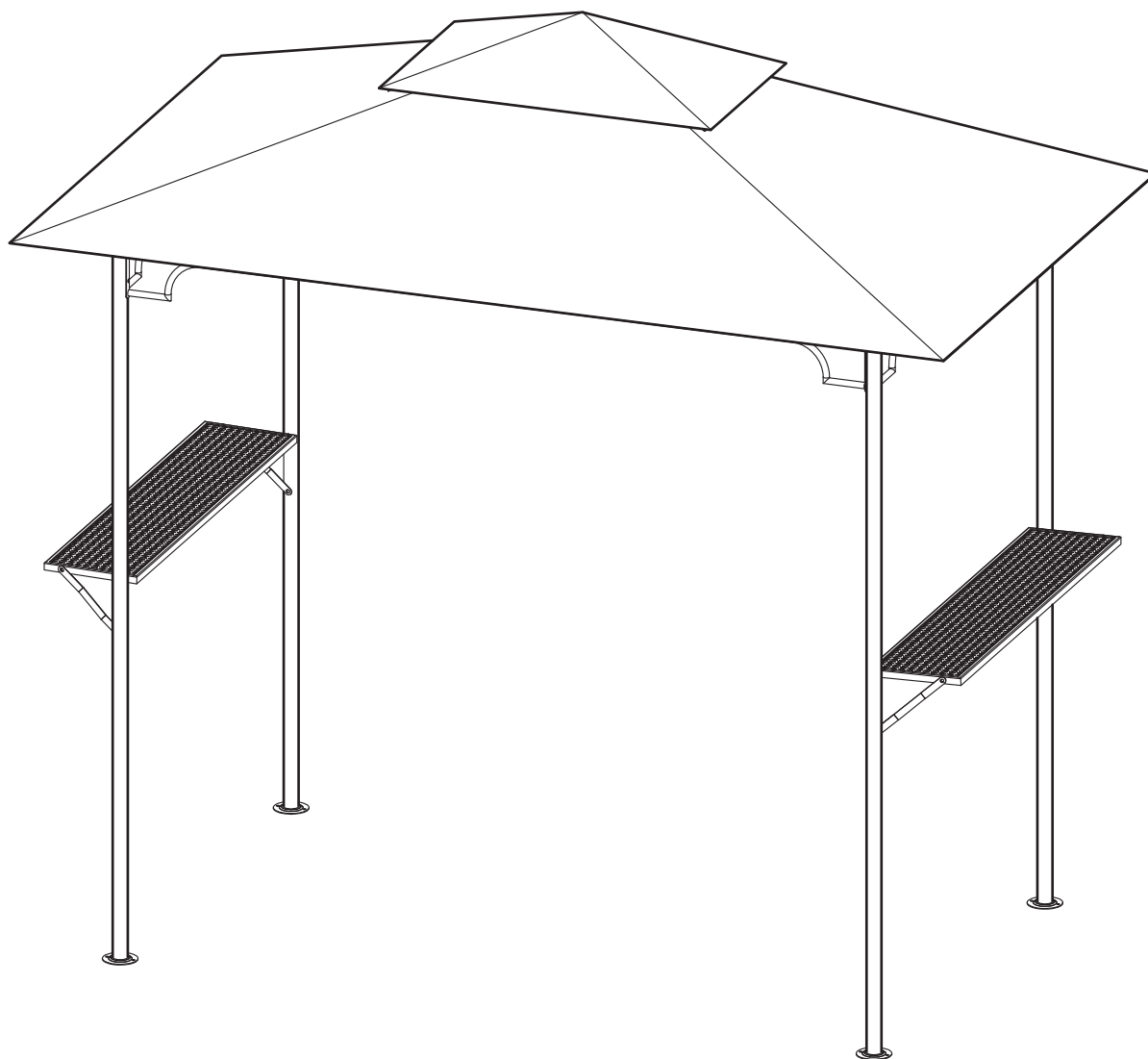


# BBQ GAZEBO 2.5M X 1.5M

Assembly Instructions - Please keep for future reference

607/2953



## Dimensions

Width - 250cm

Depth - 150cm

Height - 250cm

**Important – Please read these instructions fully before starting assembly**

If you need help or have damaged or missing parts, call the

**Customer Helpline: Argos = 0345 6400800**

For further assistance please visit <http://www.argos-support.co.uk>

Address: 489-499 Avebury Boulevard Saxon Gate West, Central Milton Keynes Bucks, MK9, 2NW



# IMPORTANT SAFETY INSTRUCTIONS

**Read all instruction before using and keep for future reference**

- Read these instructions carefully and familiarise yourself with the procedure before assembling the unit.
- Check that you have all the component parts following the list on the page 3 and familiarise yourself with each part before proceeding.
- Take all the fittings out of the plastic bag and separate them into their groups.
- Ensure you have enough space to lay out all the parts before assembly.
- To avoid scratching it is recommended that you assemble the unit on a soft level surface.
- Please keep children away when assembly. Please keep children under direct supervision of adult when using.
- **Please do not use the gazebo under windy condition.**
- Always use the pegs to secure the gazebo when using.
- This Gazebo is not a permanent structure and should be disassembled and stored away after using.
- Do not repack your Gazebo until completely dry.
- We recommend assembly by four persons under light or no wind conditions.
- This Gazebo must not be left erect in windy conditions.
- Keep the Gazebo Fabric away from screws, nails, staples, hooks, etc to avoid damage to the fabric and frame.
- **Warning:** The unit weight approximately 22 kgs.
- **Please lift with care.**

## CAUTION

### Recommend Caution

- **To prolong the life of the fabric/canopy**, we recommend to dismantle it and store it indoors over the winter months.
- **Each shelf can bear 45kg** maximumly. Please do not put more than this weight on the shelves.
- **This gazebo should be secured to the ground** at all times. If positioned on grass then tent pegs can be used. If positioned on concrete, then bolts should be used.
- We recommend caution and common sense when in use.

### Safety

- To avoid any risks of suffocation to animals or children dispose of the plastic bags immediately.


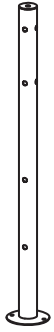







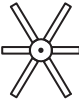

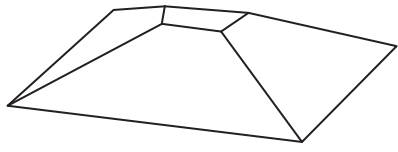
### Cleaning

- As with all surfaces clean with a damp cloth and mild detergent, do not use bleach or abrasive products.

# Components - Parts

If you have damaged or missing components, call the **Customer Helpline: Argos = 0345 6400800**

Please check you have all the parts listed below






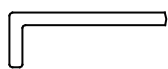


<p><b>1</b></p>  <p>Leg Pole x 2</p>	<p><b>2</b></p>  <p>Leg Pole x 2</p>	<p><b>3</b></p>  <p>Support Pole x 2</p>
<p><b>4</b></p>  <p>Support Pole x 2</p>	<p><b>5</b></p>  <p>Steel Shelves x 2</p>	<p><b>6</b></p>  <p>Shelve Connector x 4</p>
<p><b>7</b></p>  <p>Metal Connector x 6</p>	<p><b>8</b></p>  <p>Top Pole x 4</p>	<p><b>9</b></p>  <p>Top Pole x 2</p>
<p><b>10</b></p>  <p>Center Connector x 1</p>	<p><b>11</b></p>  <p>Upper Gazebo Cover x 1</p>	<p><b>12</b></p>  <p>Main Gazebo Cover x 1</p>

# Components - Fittings

If you have damaged or missing components, call the **Customer Helpline: Argos = 0345 6400800**

Please check you have all the fittings listed below

**Note:** The quantities below are the correct amount to complete the assembly. In some cases more fittings may be supplied than are required.

<p><b>A</b></p>  <p>M6X15</p> <p>Screw x 30</p>	<p><b>B</b></p>  <p>M6X28</p> <p>Screw x 6</p>	<p><b>C</b></p>  <p>M6X40</p> <p>Screw x 4</p>	<p><b>D</b></p>  <p>Washer x 50</p>
<p><b>E</b></p>  <p>Screw caps x 10</p>	<p><b>F</b></p>  <p>Peg x 8(Φ 3.8x200mm)</p>	<p><b>G</b></p>  <p>Spanner x 1</p>	<p><b>H</b></p>  <p>Spanner x 1</p>

## Assembly Instructions

### Step 1

#### Assembling top poles

**a:** insert top poles **8** into the center connector **10**

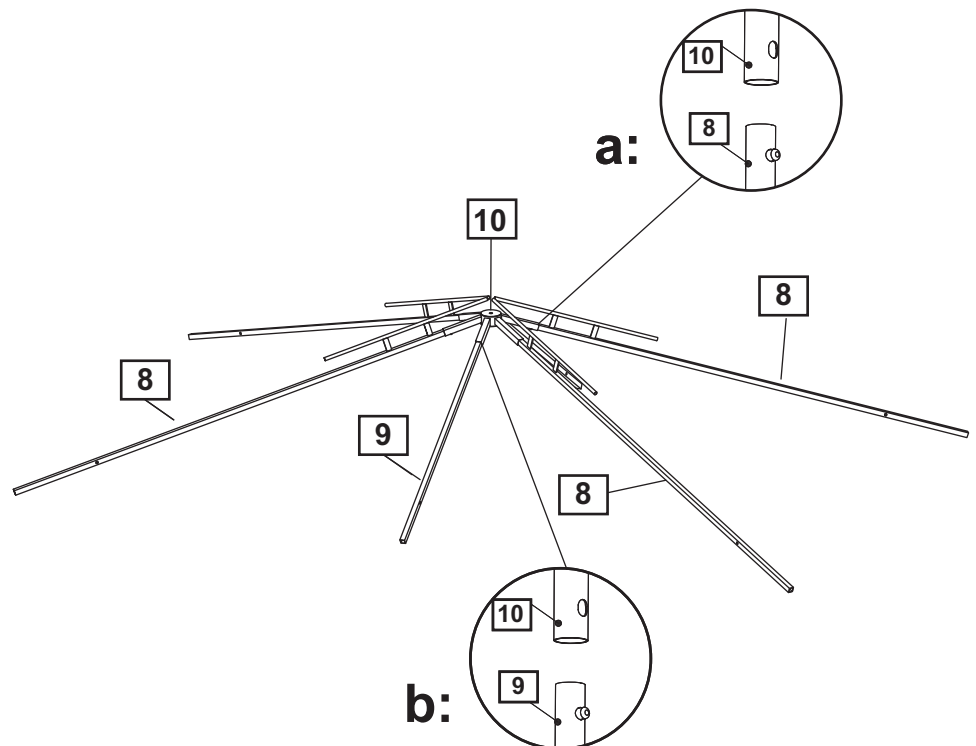
**b:** insert top poles **9** into the center connector **10**

Ensure all the poles are fully inserted and secure.



**Important note:** Because of the size of this unit we recommend that it is built in the place intended for using.

Ensure to locate the unite on the flat ground free from obstruction, in a sheltered area away from wind and heavy rain as this will damage the unit.



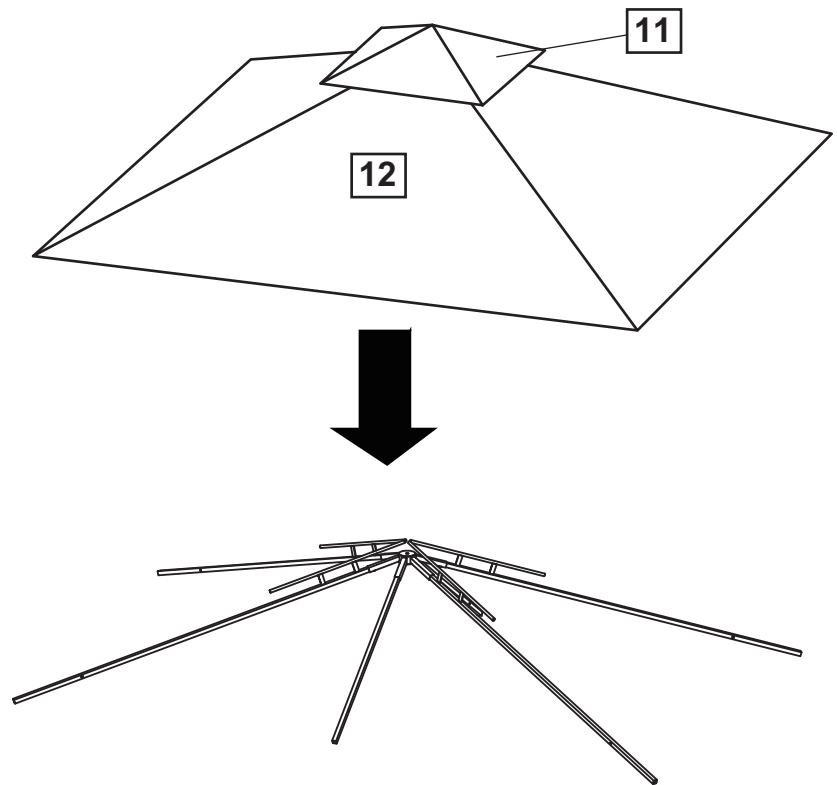
# Assembly Instructions

## Step 2

### Assembling gazebo covers

Carefully place the upper gazebo cover **11** and the main cover **12** over the assembled top poles. Then pull the gazebo cover tightly over the assembled roof frame.

**Note:** It would be useful to ask someone to help you at this step.

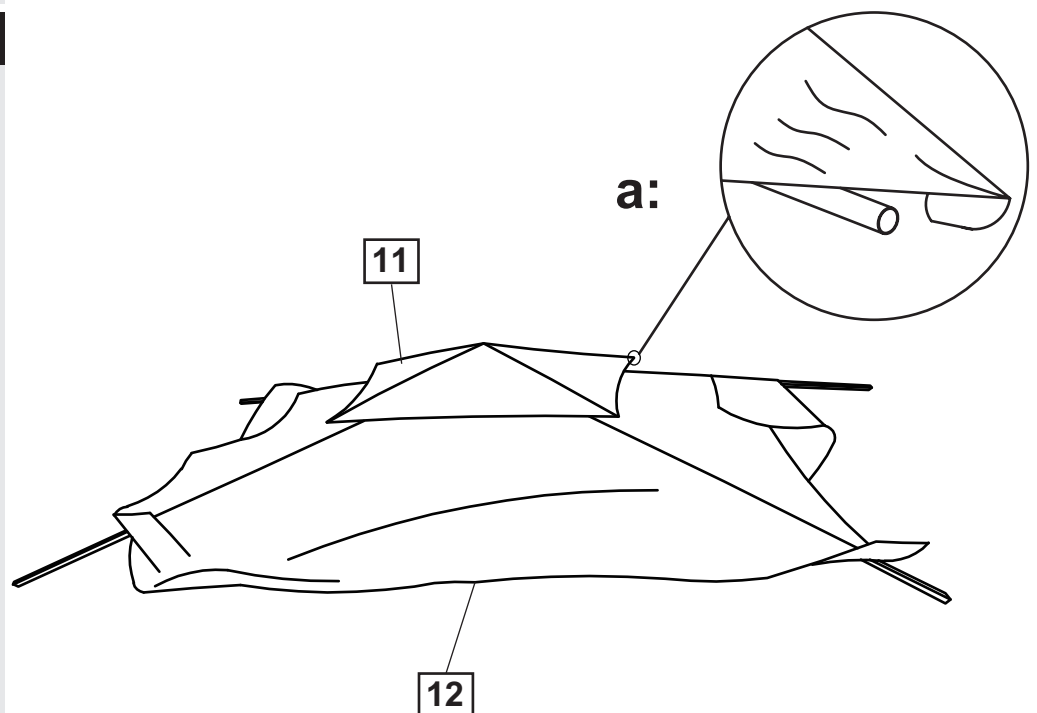


## Step 3

### Fixing upper gazebo cover

**a:** fix the upper gazebo cover **11** onto the top poles.

**Note:** At this step please do not fix the main gazebo cover **12** on the top poles



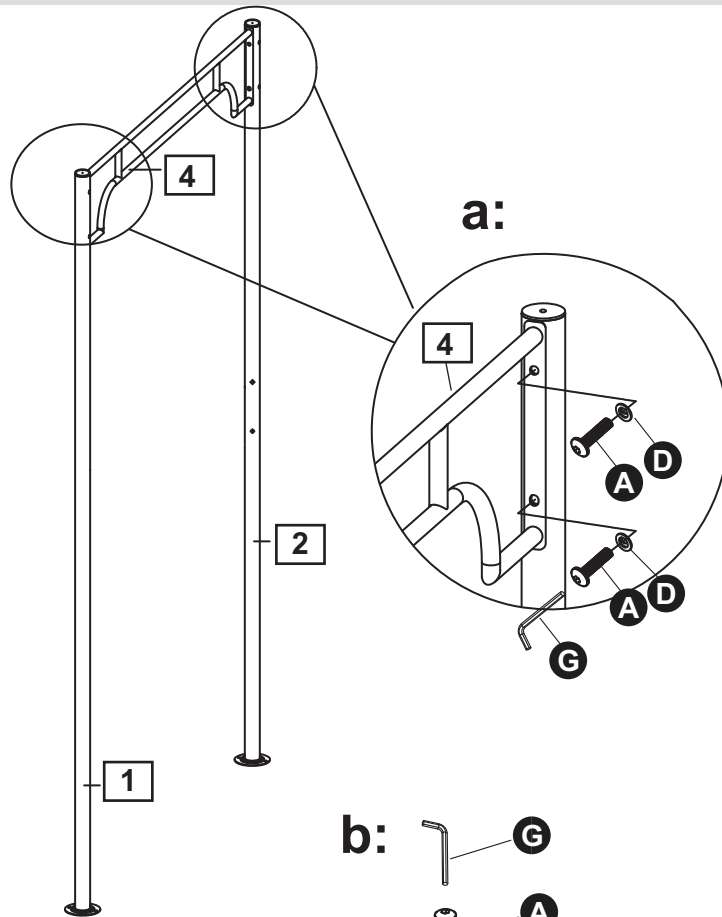
# Assembly Instructions

## Step 4

### Assembling Leg Pole and Metal Connector

**a:** connect the support pole **4** to leg pole **1** and the leg pole **2** with screws **A**, and washers **D**

**Note:** suggest to complete this product assembly by 2 persons

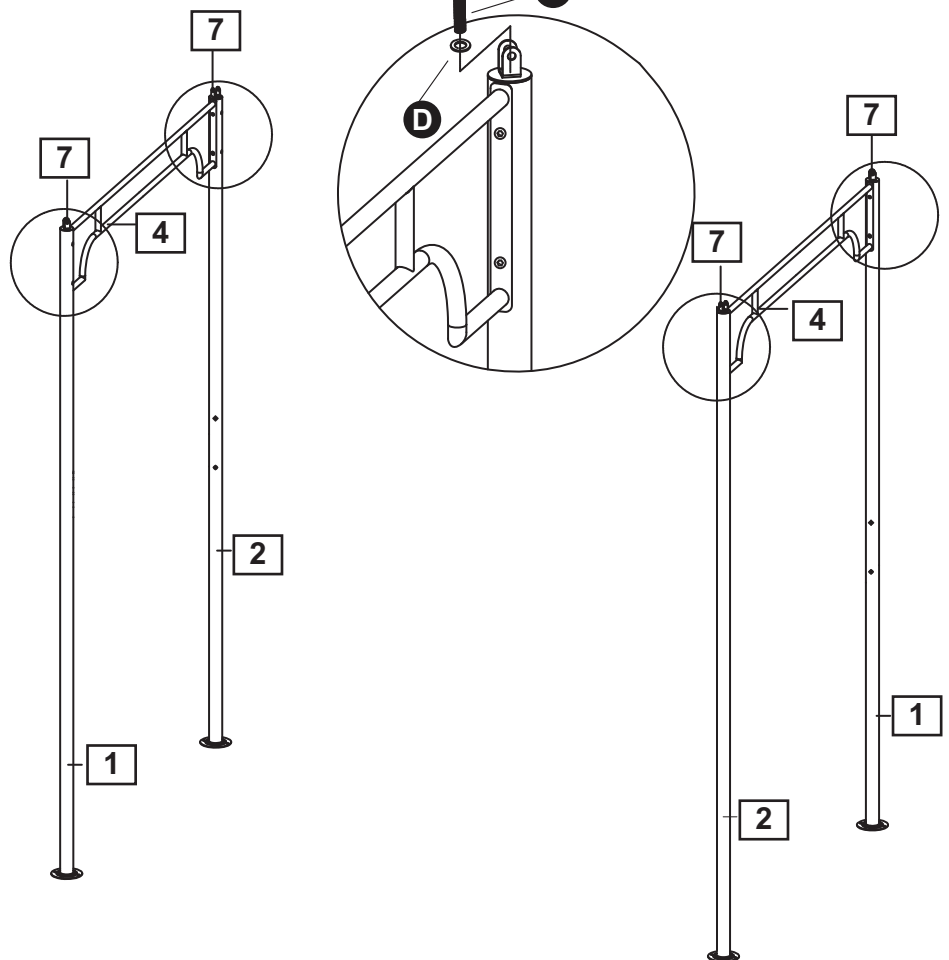


### **b:** Assembling Metal Connector

After fixing leg poles **1** and **2**, assemble metal connector **7** with screws **A** and washers **D**

At this step please keep metal connector **7** 45 degrees with the line of support poles **4**

**Repeat above steps to assemble the other leg poles and metal connectors**

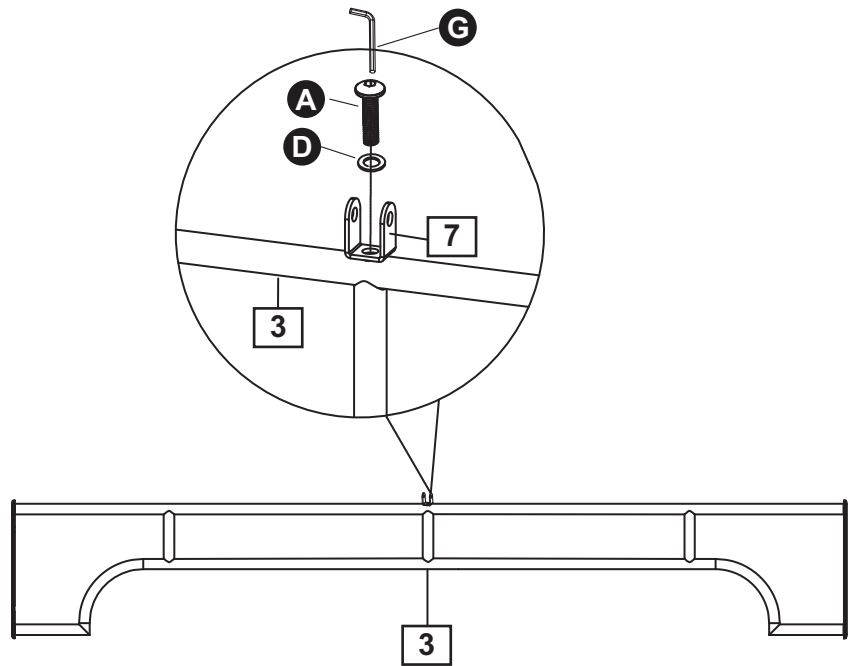


# Assembly Instructions

## Step 5

### Assembling metal connector

Fix metal connectors **7** onto the support poles **3** with screws **A** and washers **D**

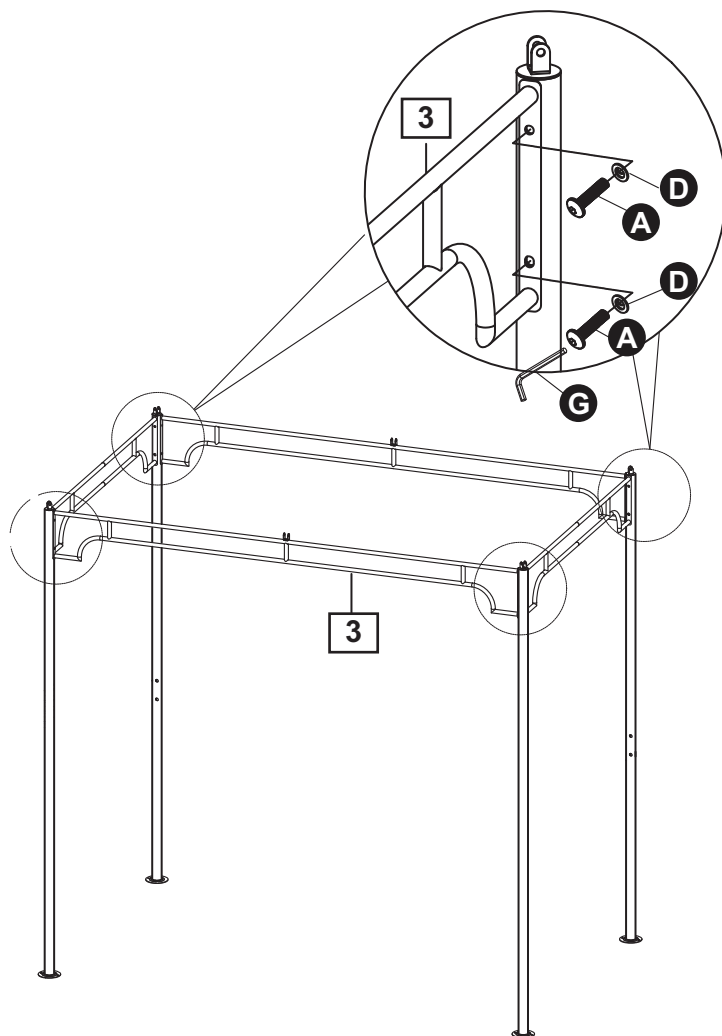


## Step 6

### Fixing support poles

Connect the support pole **3** to leg poles assembly with screws **A** and washers **D**

**Note:** suggest to complete this product assembly by 2 persons



# Assembly Instructions

## Step 7

### Fixing Steel Shelves

**a:** Fix one end of shelf connector **6** with screw **A** and washer **D** and screw cap **E** onto shelf **5**

*Repeat above steps to fix the other shelf connectors.*

**b:** Fix shelf **5** with screws **C** and washers **D** onto leg pole **1** and **2**

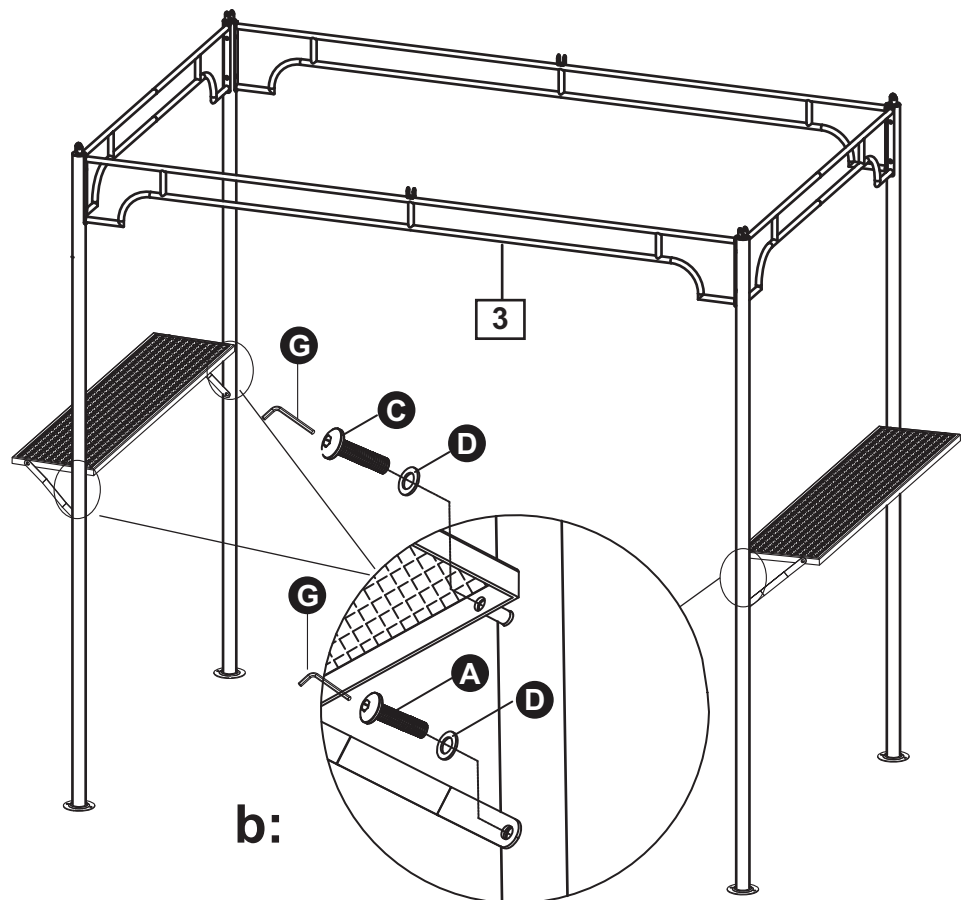
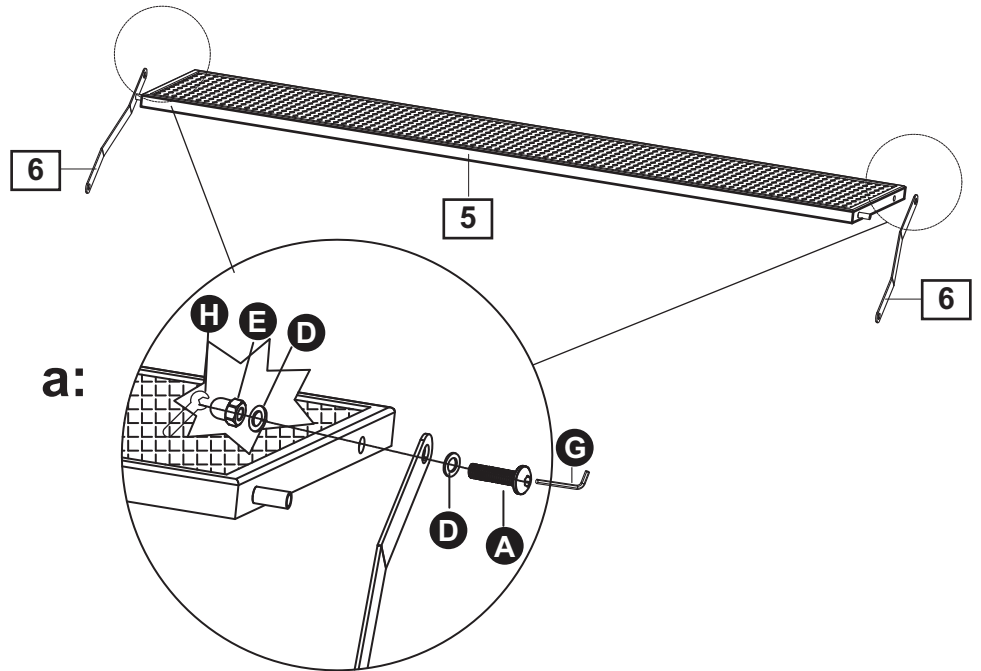
Fix the other end of shelf connector **6** with screws **A** and washers **D** onto leg pole **1** and **2**

*Repeat above steps to fix the other shelf onto the leg pole.*

**Note:** suggest to complete this product assembly by 2 persons



**Important note:** the maximum weight each shelf can bear is 45kg. Please do not put stuff over 45kg on the shelves.



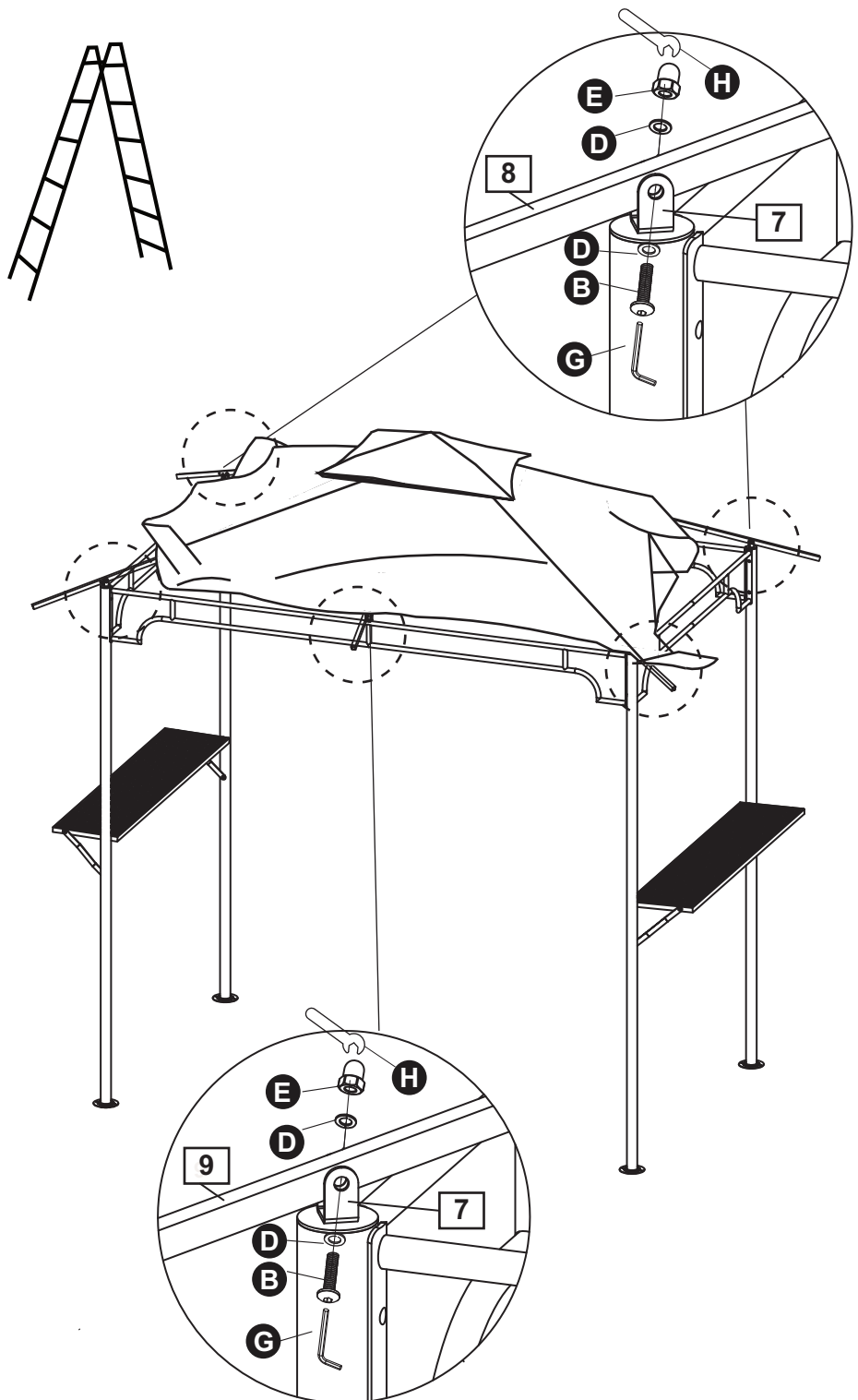


# Assembly Instructions

## Step 8

### Assembling top poles onto the leg

Assemble the connected top poles **8** and **9** onto the frame by connecting them and metal connector **7** with screws **B** and washers **D** and screw caps **E**.



**Note:** a ladder is suggested to be used in this step

It would be useful to ask someone to help you at this step.

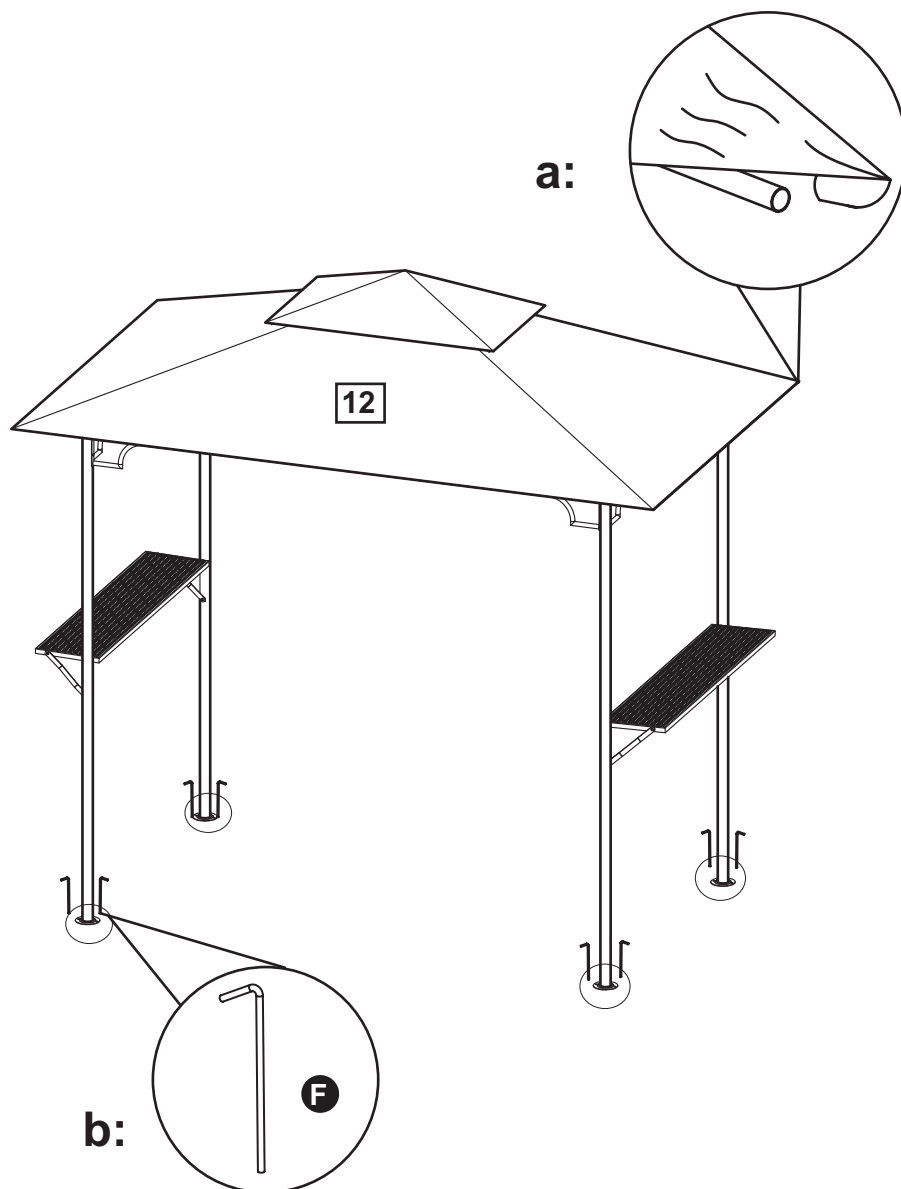
# Assembly Instructions

## Step 9

**a:** fix the main gazebo cover onto the assembled frame

**b:** use the peg **F** to fix the leg poles **1** and **2**

Assembly is complete.



**Warning:**

Do not assemble or disassemble during strong winds.



**Important note:** always use this product with caution and read the important safety instructions.

If you need help or have damaged or missing parts, call the

**Customer Helpline: Argos = 0345 6400800**

For further assistance please visit <http://www.argos-support.co.uk>

Address: 489-499 Avebury Boulevard Saxon Gate West, Central Milton Keynes Bucks, MK9, 2NW