

Malibu 3 Seater Sling Swing Hammock

Assembly Instructions - Please keep for future reference

6524803



Dimensions

Width - 195cm
Depth - 122cm
Height - 173cm

Important - Please read these instructions fully before starting assembly

If you need help or have damaged or missing parts, call the Customer Helpline: 08456400800



Safety and Care Advice

Important - Please read these instructions fully before starting assembly

- Check you have all the components and tools listed on pages 2 & 3.
- Remove all fittings from the plastic bags and separate them into their groups.
- Keep children and animals away from the work area, small parts could choke if swallowed.
- Make sure you have enough space to layout the parts before starting.
- Do not stand or put weight on the parts during assembly, this could cause damage.
- Assemble on a soft level surface to avoid damaging the unit or your floor.
- Parts of the assembly will be easier with 2 people.
- Dispose of all packaging carefully and responsibly.
- The user of this swing should always inspect it before each use.
- Check the tightness of all nuts and bolts on a regular basis.
- Always remove the canopy in heavy wind conditions, otherwise the canopy may tip over and cause damage to its parts.
- Oil all of the metal parts that move during usage season.
- The manufacturer will not accept responsibility for unauthorized repairs or modifications to the swing or its parts.
- Weight limit is 340 kgs.
- Warning: The unit weighs approximately 37 kgs. Please lift with care.

Care and maintenance

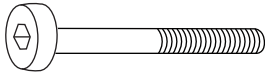
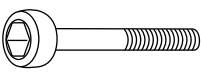
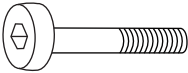
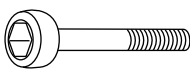
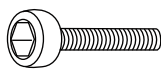
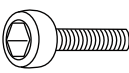
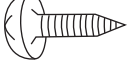










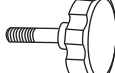
- Wash frame parts with mild soap and water, rinse thoroughly, and dry frame completely. Do not use bleach, acid, or other solvents on the frame parts.
- The canopy may be surface washed with mild soap and water if necessary. Commercial foaming upholstery cleaner may also be used. Rinse well and hang to dry. Do not machine wash or dry.
- We recommend the use of furniture covers to protect your swing when not in use.
- Please inspect and tighten all bolts or fasteners on a regular basis to ensure proper performance and safety of your swing.
- In order to prolong the life and beauty of your swing, we recommend that it be stored in a dry and protected area during off season periods.

Components - Fittings

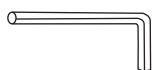
If you need help or have damaged or missing parts, call the Customer Helpline: 08456400800

Please check you have all the fittings listed below

Note: The quantities below are the correct amount to complete the assembly. In some cases more fittings may be supplied than are required.

A  M8 x 110mm Bolt x 4	B  M6 x 65mm Bolt x 8	C  M8 x 60mm Bolt x 2
D  M6 x 60mm Bolt x 2	E  M6 x 40mm Bolt x 2	F  M6 x 20mm Bolt x 6
G  ST4.2 x 16mm Screw x 4	H  d8.5 x D17 x 1.6mm Washer x 10	I  d6.5 x D16 x 1.2mm Washer x 20
J  d8.5 x D12 x 2.1mm Spring Washer x 6	K  d6.5 x D10 x 1.6mm Spring Washer x 18	L  M8 x P1.25mm Plastic Nut x 4
M  M6 x P1.0mm Plastic Nut x 8	N  Leg Cap x 4	O  Suspension Spring x 2
P  Plastic End Cap x 6	Q  Canopy/Frame Connector x 2	R  Plastic Screw x 2

Tools required

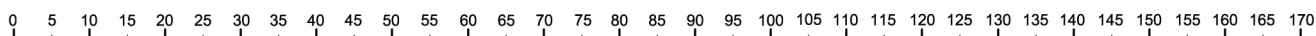


6mm Hex Key



13 & 17mm Nut Wrench

Ruler - Use this ruler to help correctly identify the screws



Components - Parts

If you need help or have damaged or missing parts, call the Customer Helpline: 08456400800

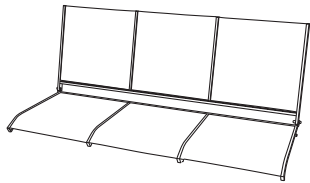
Please check you have all the parts listed below



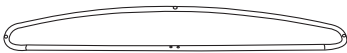
1 Top Cross Beam W/
Adjustable Teeth x 1



4 Lateral Cross Brace x 2



7 Seat Assembly x 1



10 Side Canopy Brace x 2



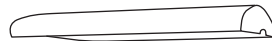
2 Front Upright Support x 2



5 Rear Cross Brace x 1



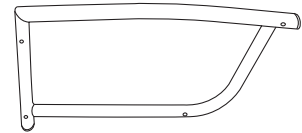
8 Swing Arm Tube x 4



11 Canopy x 1



3 Rear Upright Support x 2



6 Swing Arm x 2



9 Front And Rear Canopy x 3

Assembly Instructions

Step 1

Note:

When fastening with bolts and nuts, always use a washer (H, I), (J) and (K) between the tube and the bolt and the tube and the nut.

A:

Fasten the front and rear upright supports (2) and (3) at the top by using bolts (A), washers (H), spring washers (J), and plastic nuts (L). Do the same procedure for both sides. Keep the bolts loose.

B:

At both ends, insert the assembled upright support (2) and (3) into the top cross beam w/adjustable teeth (1). Tighten all of the plastic nuts and bolts now.

C:

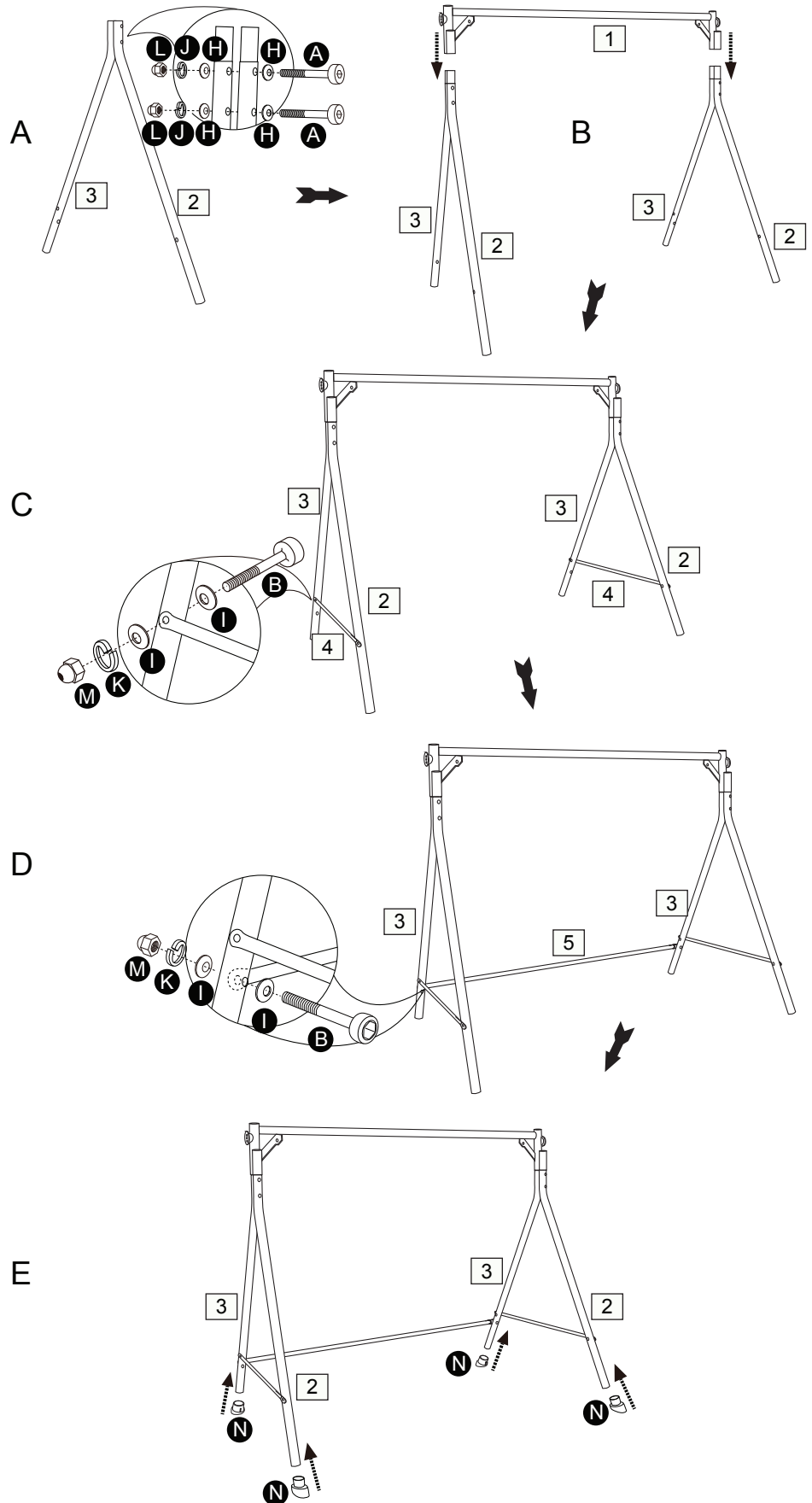
Fasten the lateral cross braces (4) to the upright supports (2) and (3) by using bolts (B), washers (I), spring washers (K), and plastic nuts (M). Do the same procedure for both sides.

D:

Fasten the rear cross braces (5) to the rear upright supports (3) by using bolts (B), washers (I), spring washers (K), and plastic nuts (M). Tighten all of the plastic nuts and bolts.

E:

Insert the leg caps (N) into all of the base feet.

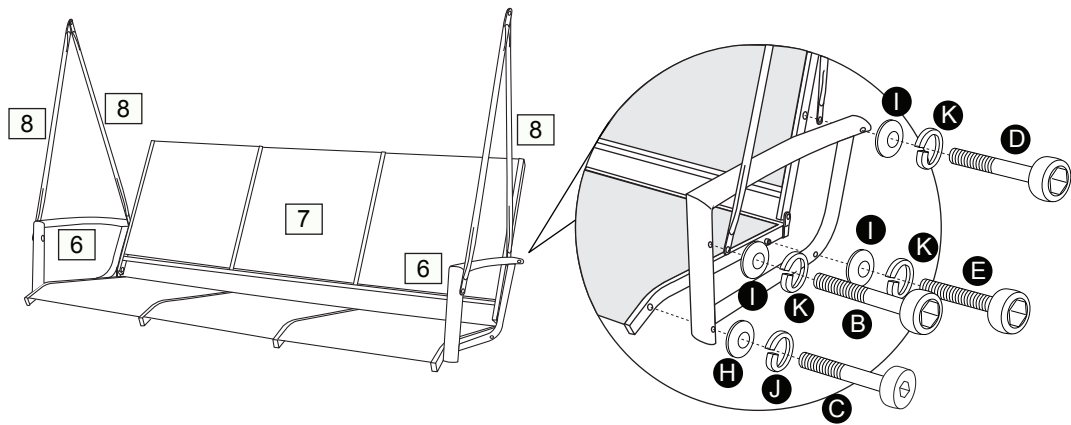


If you need help or have damaged or missing parts, call the Customer Helpline: 08456400800
 Retailer: Argos
 Address: 489-499 Avebury Boulevard Saxon Gate West, Central Milton Keynes Bucks, MK9, 2NW

Assembly Instructions

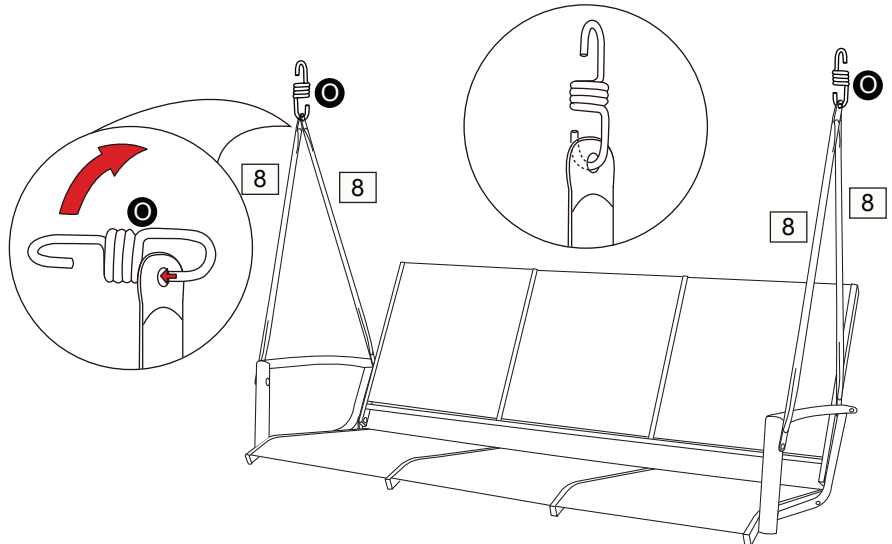
Step 2

Open the seat assembly **7** and fasten a swing arm tube **8** and a swing arm **6** to the seat back by using bolt **D**, washer **I**, and spring washer **K**. Do the same procedure for both sides. Fasten another swing arm tube **8** to swing arm **6** at the front bend by using bolt **B**, washer **I**, and spring washer **K**. Do the same procedure for both sides. Fasten the other end of the swing arm **6** to the front of the seat assembly **7** by using bolt **C**, washer **H**, and spring washers **J**. Do the same procedure for both sides. Fasten the brace of the swing arm **6** to the seat assembly **7** by using bolt **E**, washer **I**, and spring washer **K**. Do the same procedure for both sides.



Step 3

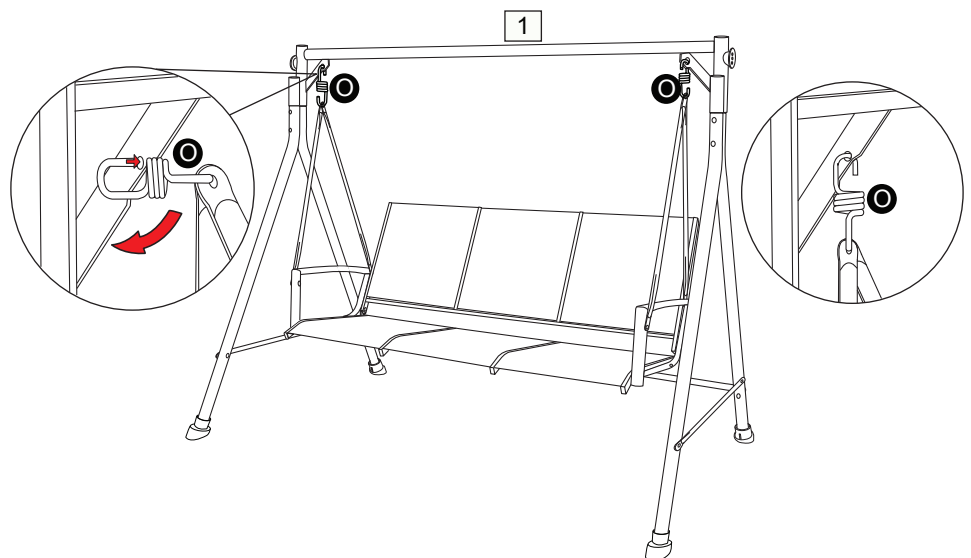
Hook the suspension spring **O** into the top of both swing arm tubes **8**. Do the same procedure for both sides.



Step 4

Hang the other side of the suspension spring **O** into the hole located on the angled brace on the top cross beam w/adjustable teeth **1**. Do the same procedure for both sides.

Warning:
Make sure that both ends of the suspension springs **O** go completely through the holes in the angled braces on the top cross beam w/adjustable teeth **1** and the swing arm tubes **8**.



If you need help or have damaged or missing parts, call the Customer Helpline: 08456400800
Retailer: Argos
Address: 489-499 Avebury Boulevard Saxon Gate West, Central Milton Keynes Bucks, MK9, 2NW

Assembly Instructions

Step 5

A & B:

Slide the canopy/frame connectors **Q** onto the side canopy braces **10**. Fasten them together by using screws **G**. Make sure that the teeth on the canopy/frame connectors are facing towards the inside of the frame.

C:

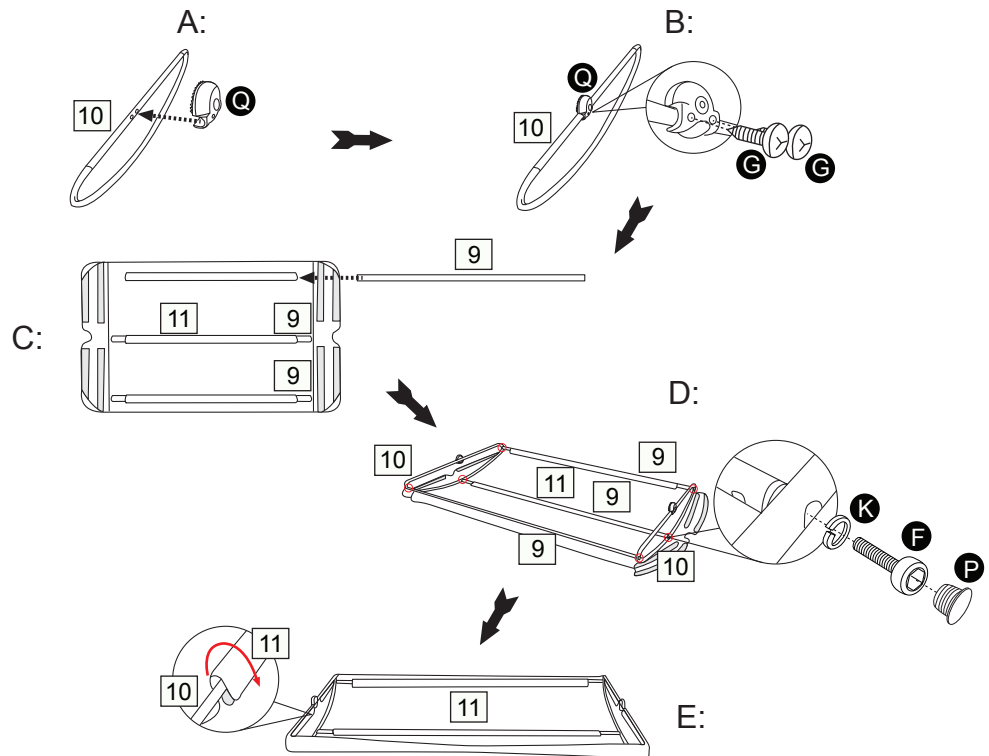
Insert the front and rear canopy braces **9** into the sleeves of the canopy **11**.

D:

Fasten the side canopy brace **10** to the front and rear canopy braces **9** by using bolts **F**, and spring washers **K**. Do the same procedure for both sides. Tighten all of the bolts now, cover all bolts with plastic end caps **P**.

E:

Velcro the canopy **11** to the side canopy braces **10**.



Step 6

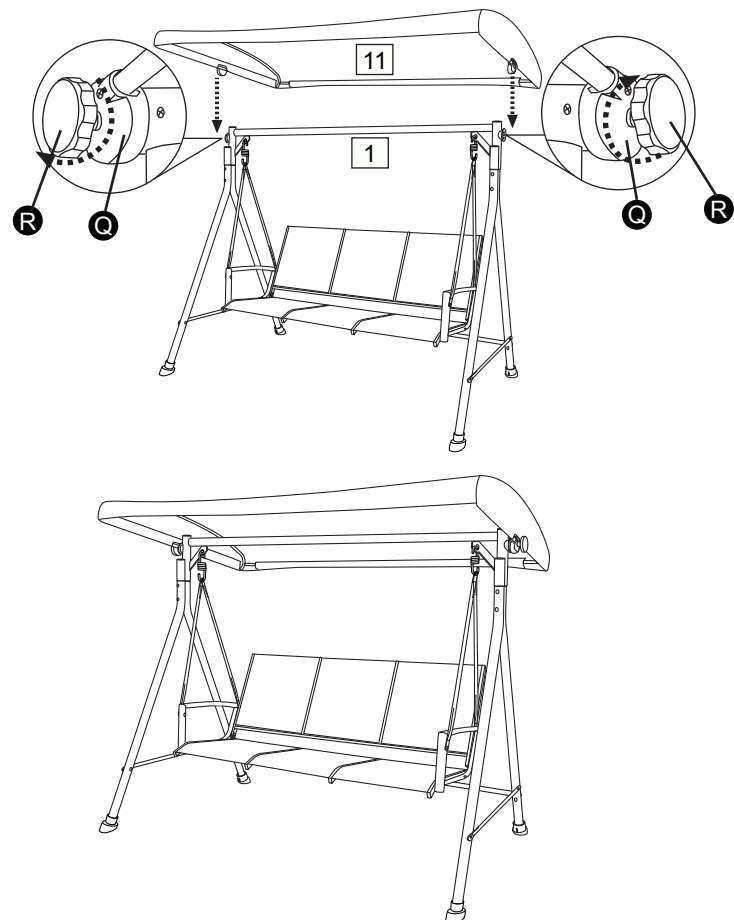
Fasten the canopy/frame connectors **Q** to the adjustable teeth on the top cross beam w/ adjustable teeth **1** by using a plastic screw **R**. Do this procedure for both sides.

To assure stability, double check that all of the bolts have been completely tightened.

Note:

To avoid danger of suffocation, always keep plastic bags or small parts away from babies and children.

Assembly is complete.



If you need help or have damaged or missing parts, call the Customer Helpline: 08456400800
Retailer: Argos
Address: 489-499 Avebury Boulevard Saxon Gate West, Central Milton Keynes Bucks, MK9, 2NW