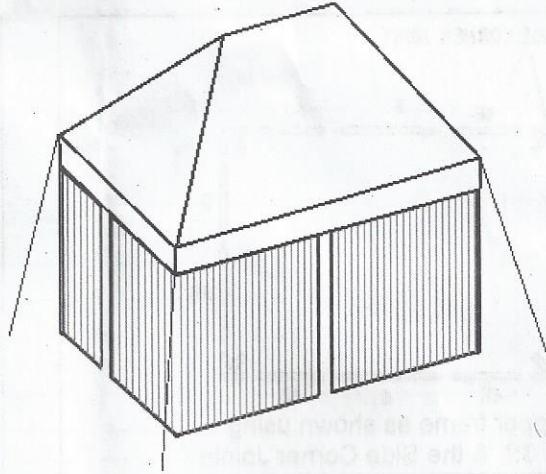


Assembly Instructions

DELUXE GAZEBO WITH SIDE PANELS

2.0m x 3.0m Base Size
(approximately)



IMPORTANT

Please check the pack contents before attempting to assemble this Gazebo.

A full list of parts is given on the next page.

CAUTION

DO NOT LEAVE THE GAZEBO ASSEMBLED WHEN THERE IS A RISK OF HIGH WINDS AS DAMAGE WILL OCCUR TO THE STRUCTURE.

NEVER BARBECUE UNDER THIS GAZEBO OR USE LANTERNS THAT CONTAIN NAKED FLAMES. THIS PACK CONTAINS SMALL ITEMS AND PLASTIC BAGS THAT SHOULD BE KEPT AWAY FROM CHILDREN.

THIS GAZEBO IS NOT A PERMANENT STRUCTURE AND SHOULD BE DISASSEMBLED AND STORED AWAY AFTER USE. ENSURE GAZEBO IS DRY BEFORE STORING.

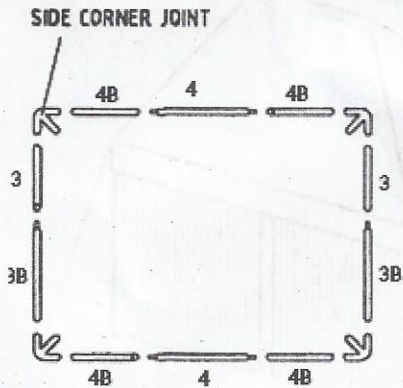
THIS PRODUCT HAS BEEN DESIGNED FOR CAREFUL DOMESTIC OUTDOOR USE. ALWAYS CHECK THAT YOUR FURNITURE IS NOT DAMAGED AND THAT IT IS CORRECTLY ASSEMBLED BEFORE USE.

TOOLS REQUIRED

This gazebo requires no special tools for assembly. A wooden mallet may be required to secure the gazebo to the ground.

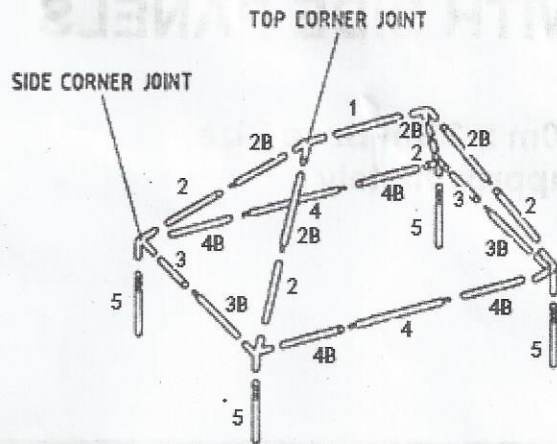
STEP BY STEP GUIDE TO ASSEMBLY

Step 1



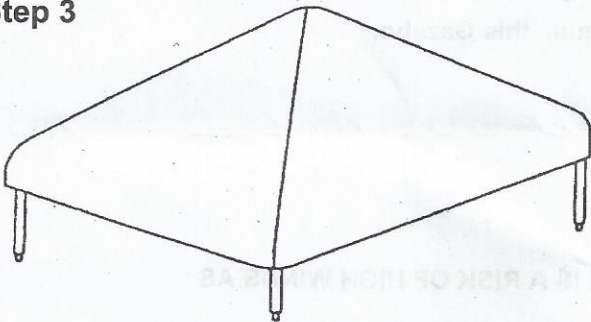
Assemble the upper frame as shown using - Tubes, 4, 4B, 3, 3B & the Side Corner Joints

Step 2



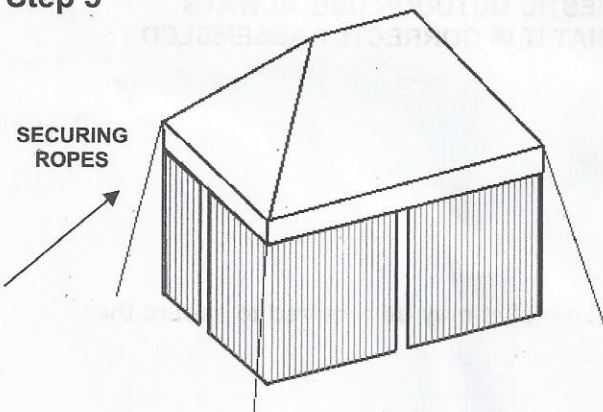
Assemble the frame top and half the legs using - Tubes, 1, 2B, 2, 5 & the Top Corner Joint.

Step 3



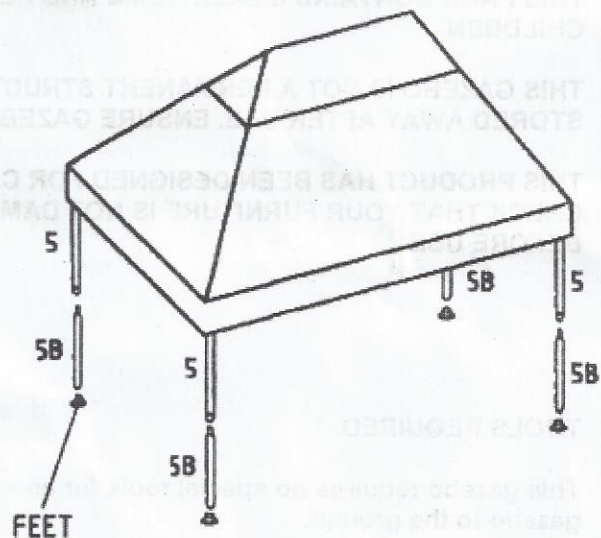
Place the cover tightly over the frame.

Step 5





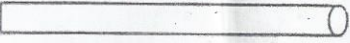

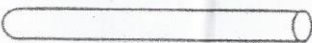

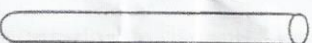

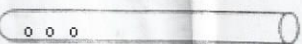





Fit the Curtains using the Curtain rings provided. The securing ropes can now be fitted if required.

Step 4



Slot the remaining leg (Tube 5) into position. Push the plastic feet into place.

Pack Contents

NUMBER	PARTS	QTY
4		2
4B		4
3		2
3B		2
2		4
2B		4
1		1
5B		4
5		4
TOP CORNER JOINT		2
BASE PLATE		4
STAKE		4
SIDE CORNER JOINTS		4
ROPE		4
COVER & BAG		1

