











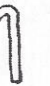



Airwave® 3x3m Garden Shelter

Windbar® Included

Simple Assembly Instructions

- | | | |
|---|---|----|
| ① |  | X4 |
| ② |  | X4 |
| ③ |  | X8 |
| ④ |  | X4 |
| ⑤ |  | X4 |
| ⑥ |  | X4 |
| ⑪ |  | X2 |
| ⑫ |  | X1 |
-
- | | |
|---|----|
|  | X1 |
|  | X4 |
|  | X4 |
|  | X4 |
|  | X8 |
|  | X2 |

