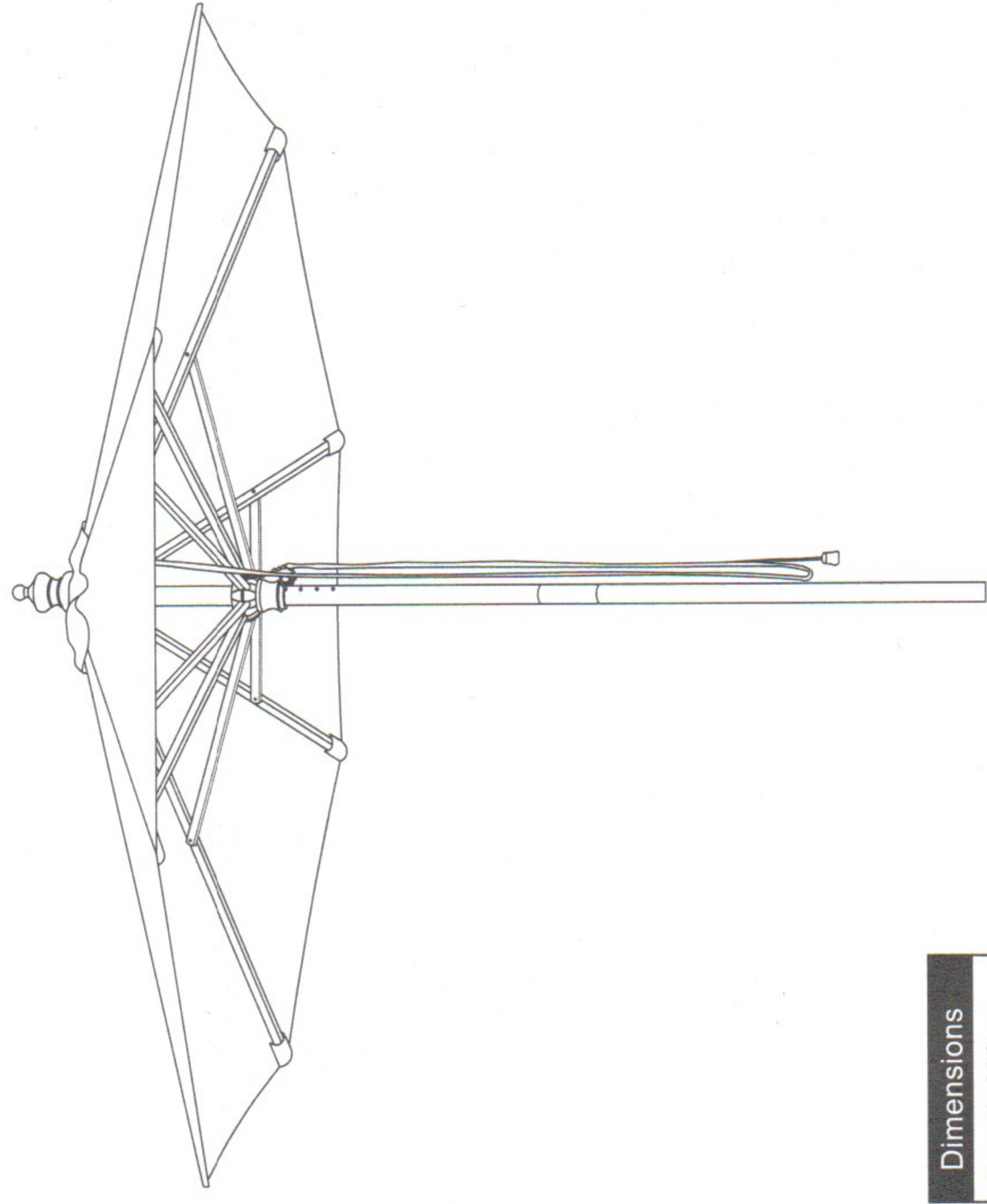


2.7m Parasol

Assembly Instructions - Please keep for future reference

307015

307018



Dimensions

Length-270cm

Width-270cm

Height-245cm

Important – Please read these instructions fully before starting assembly

If you need help or have damaged or missing parts, call the Customer Helpline: 0345 0778888

version 1 - 12/08/2014



Safety and Care Advice

Important – Please read these instructions fully before starting assembly

- This product is designed for careful domestic outdoor use.
- Parasols should not be used in high winds and should be closed when not in use.
- Bases and covers available separately.
- Unpack and inspect all of the contents.
- Only place on a flat level surface.
- Always check that your parasol is not damaged and that it correctly assembled and stable before use.
- Parasol to be used as a sunshade only.
- Please take the time to carefully read through the whole instructions before you commence.
- Please dispose of plastic bags safely.
- Keep away from hot surfaces i.e. barbecues and patio heaters.
- Please note that parasols should be used in conjunction with a table and parasol base for stability.
- Store in a dry place, or use a protective cover when not in use.
- Keep these instructions for future reference.
- Assemble the parasol near to its required position.

Care and Maintenance

- The solid timber in this product is made from carefully selected timbers which are naturally weather resistant.
- The fabrics are developed to ensure resistance to the effects of sunlight and outdoor use. However, for the best care it is recommended that products are kept indoors in a cool dry place when not in use.
- To clean fabric, brush off any loose dirt and lightly sponge clean.
- As with all wood, this product may change colour over time. You may also find that as the solid timber "breathes" slight surface cracks may occur, this is not a fault and is part of the weathering process. To prolong its life, treat with teak oil occasionally. Ensuring the oil is well rubbed in and does not contact with the fabric. Always follow the instructions when use.
- Periodical retightening of fixings.
- Check and tighten the fixings periodically.
- Wipe up spills immediately as the oiled surface is more susceptible to stains than a lacquered finish and the wood will absorb moisture causing the grain to rise slightly.
- Take care when moving parasol and never drag pieces as this will cause damage to the joints.
- If the surface of the parasol becomes slightly stained or damaged with use, then it can often be removed by sanding gently with fine sandpaper then re-oiling. If the stain or damage is more serious then we recommend that professional help is obtained.
- Please check the fixings are all tight when you put this parasol out each year, as the wood will change size slightly with the different seasons.
- This parasol is made for garden and is not suitable for indoor use or conservatories. The sunlight will make the colour of the wood mellow with time even if it is oiled.
- In the first three months the parasol should be oiled monthly with a hardwood garden furniture oil using a lint free cloth, paying particular attention to the ends of the legs and slats as they are more absorbent.
- After the first three months, the furniture should be oiled once a year as it is brought out at the beginning of the spring summer season and whenever the surface is looking dry. The wood will gradually change colour to a silvery grey and the surface will become rough. Regular oiling will help to minimise cracking but won't eliminate it. Cracking of the timber does not affect the durability of the product.

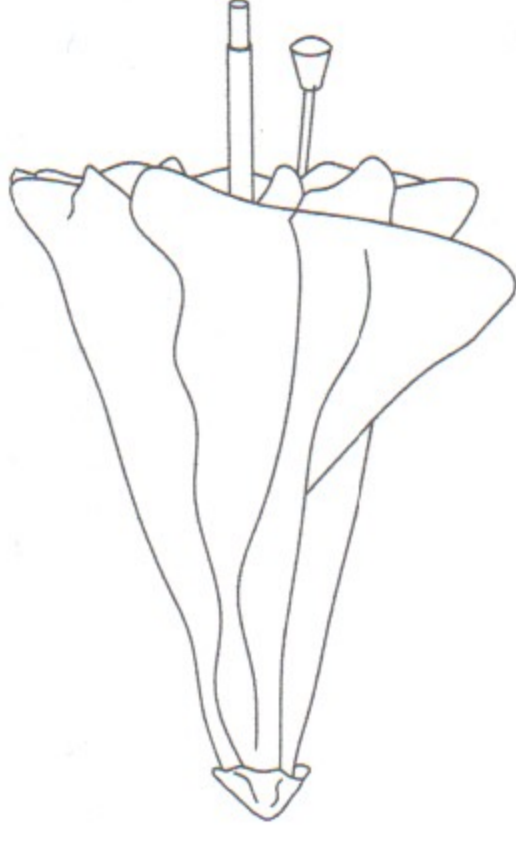
Components - Parts

If you have damaged or missing components, call the customer helpline: 0345 0778888

Please check you have all the panels listed below



1 Top Finial



2 Parasol Upper Body



3 Lower Pole

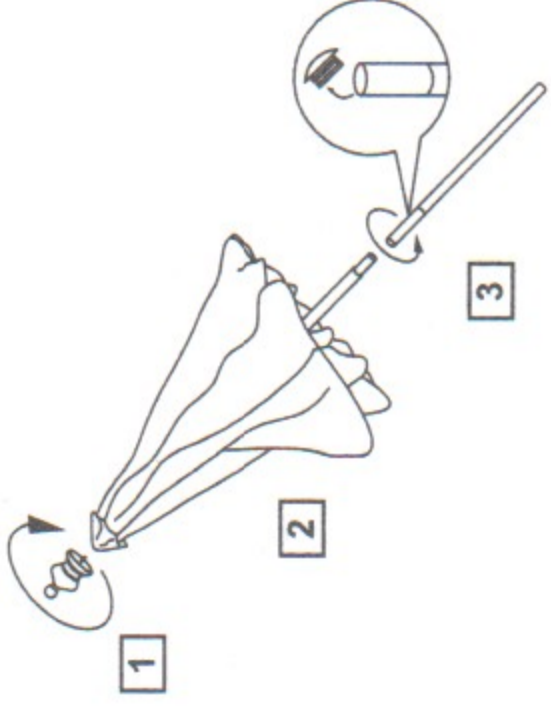
Tools required

No tools required for this product.

Assembly Instructions

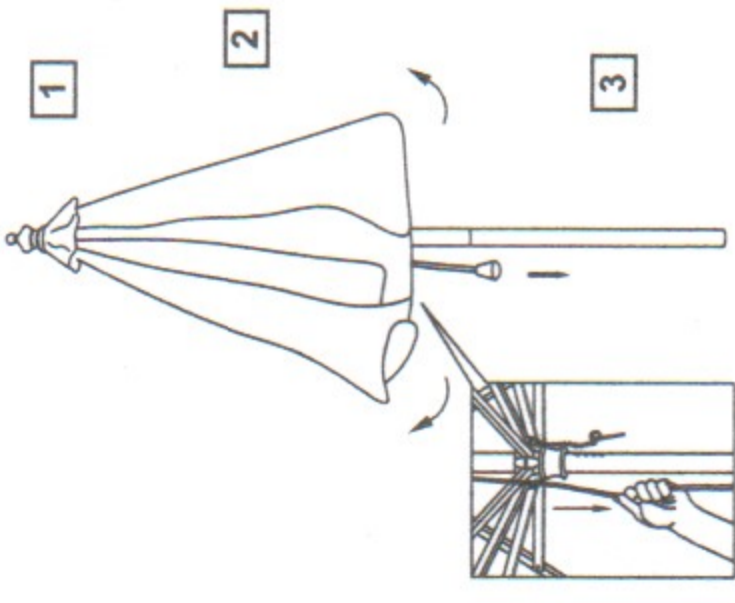
Step 1

Screw the top finial **1** into the parasol upper body **2**. Fully tighten by hand. Screw the lower pole **3** into the parasol upper body. Fully tighten by hand.



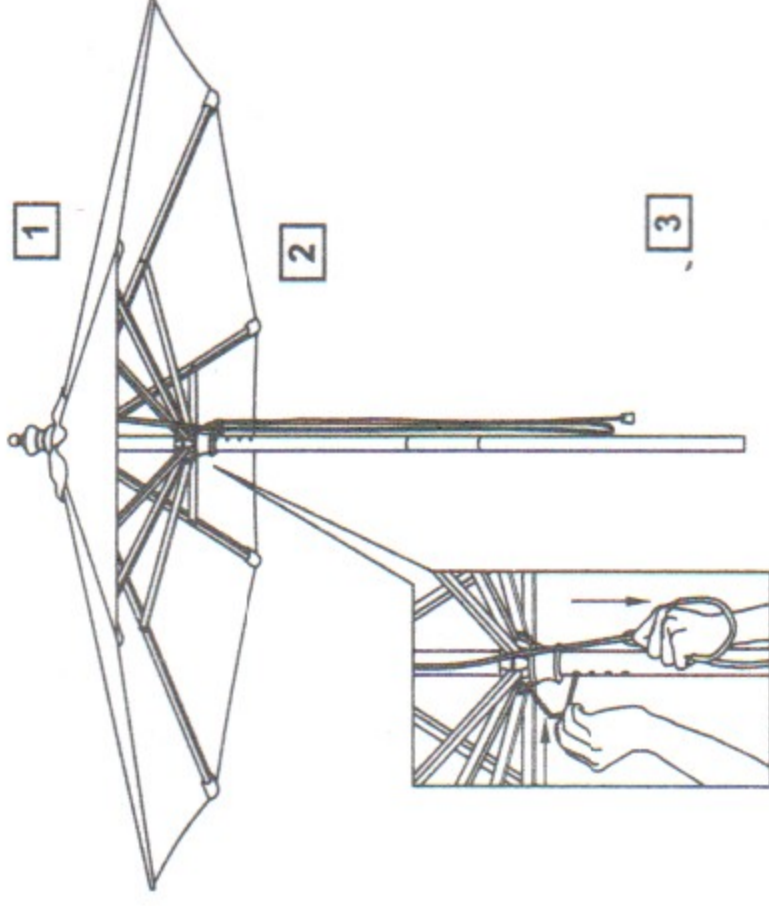
Step 2

Pull the cord to open the parasol.



Step 3

Insert the pin to the hole to lock the parasol in the desired position.



The assembly is complete.

If you need help or have damaged or missing parts, call the **Customer Helpline: 0345 0778888**

3

Important, Retain For Future Reference: Read Carefully!

Care Instructions for wooden furniture

IMPORTANT

As your furniture has been boxed since manufacture there may be a slight oil residue on the pieces which will dry when it is left to air. Care should be taken when assembling and using the furniture in the first couple of days particularly if light coloured clothes are worn. Hardwood has a varied texture which absorbs oil at different rates, this may mean there are some paler dry patches. If this is the case then apply a little oil as directed in the Care Instructions below.

Use of Wood Furniture

This furniture has been made for the garden and is not suitable for indoor use or conservatories. If positioned on grass the legs may absorb moisture which could cause deterioration. The sunlight will make the colour of the wood mellow with time even if it is oiled. Never place hot dishes directly on to the wood as they will mark the surface. Wipe up spills immediately as the oiled surface is more susceptible to stains than a lacquered finish and the wood will absorb moisture causing the grain to rise slightly. Take care when moving furniture and never drag pieces as this will cause damage to the joints. To ensure the longevity of your garden furniture it is advised that it is covered when not in use and that it is stored in a garage or shed over the winter months. Ensure furniture is dry before storing.

Care Instructions

In the first three months the furniture should be oiled monthly with a hardwood garden furniture oil using a lint free cloth, paying particular attention to the ends of the legs and slats as they are more absorbent. After the first three months, the furniture should be oiled once a year as it is brought out at the beginning of the spring summer season and whenever the surface is looking dry. The wood will gradually change colour to a silvery grey and the surface will become rough. Regular oiling will help to minimise cracking but won't eliminate it. Cracking of the timber does not affect the durability of the product. Do not use oils sold for cooking or eating as they will leave a sticky film. If the surface of the furniture becomes slightly stained or damaged with use, then it can often be removed by sanding gently with fine sandpaper then re-oiling. If the stain or damage is more serious then we recommend that professional help is obtained. Please check the fixings are all tight when you put the furniture out each year, as the wood will change size slightly with the different seasons.

Please retain for future reference.

If you need help or have damaged or missing parts, call the **Customer Helpline: 0345 0778888**

4