

IMPORTANT, RETAIN FOR FUTURE REFERENCE READ CAREFULLY

WOW 2 SEATER METAL SWING CHAIR CATALOGUE NUMBER: 651/1342



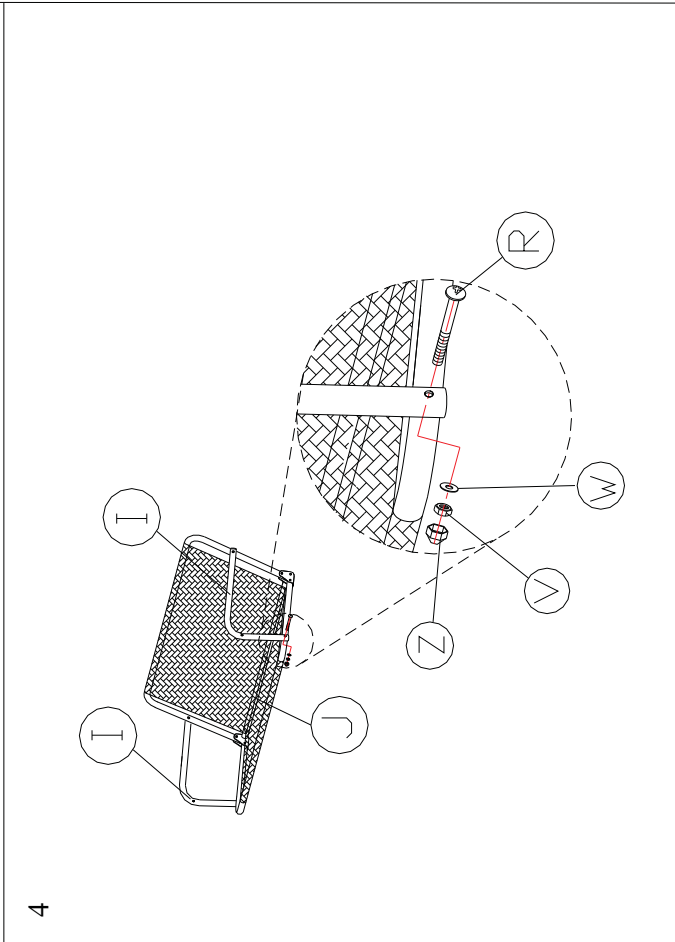
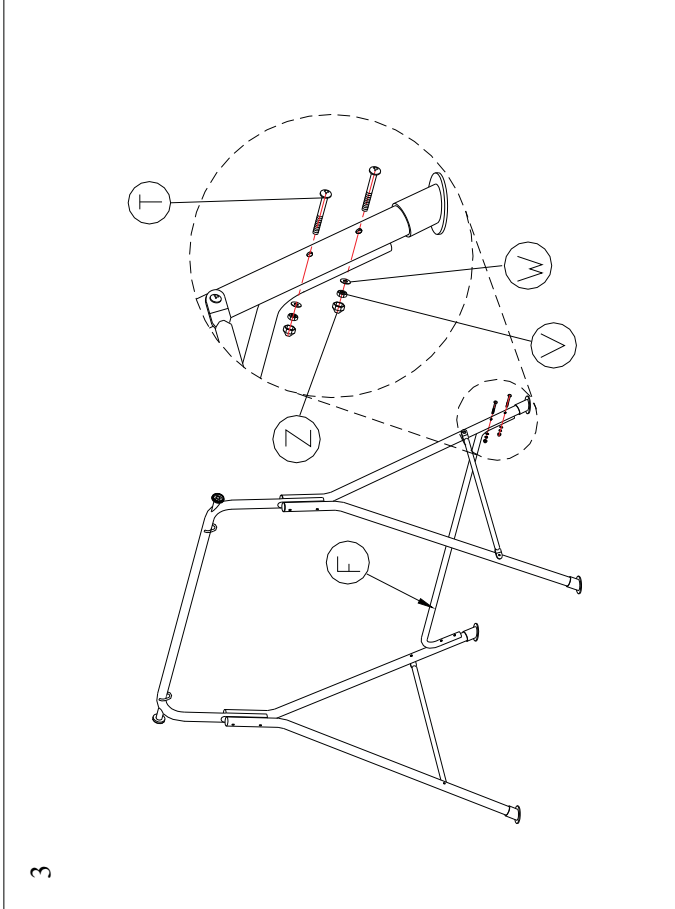
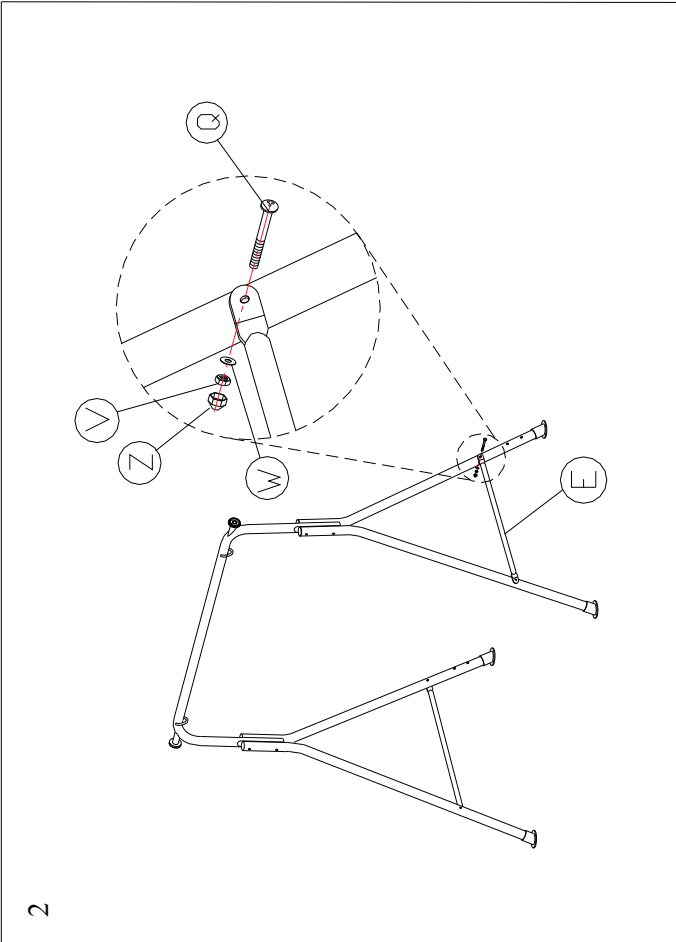
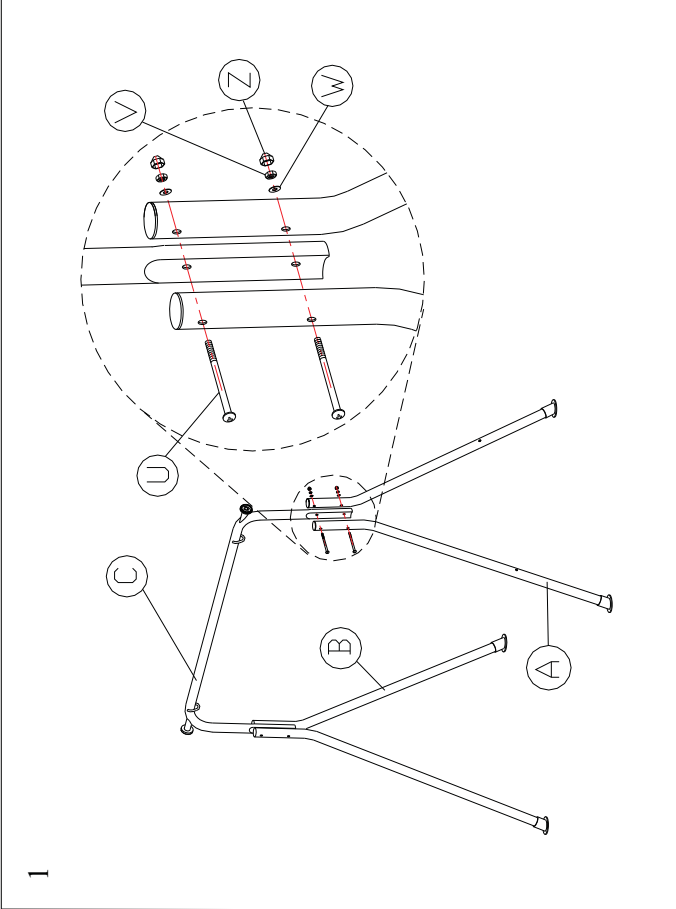
BEFORE YOU START, here is some important information

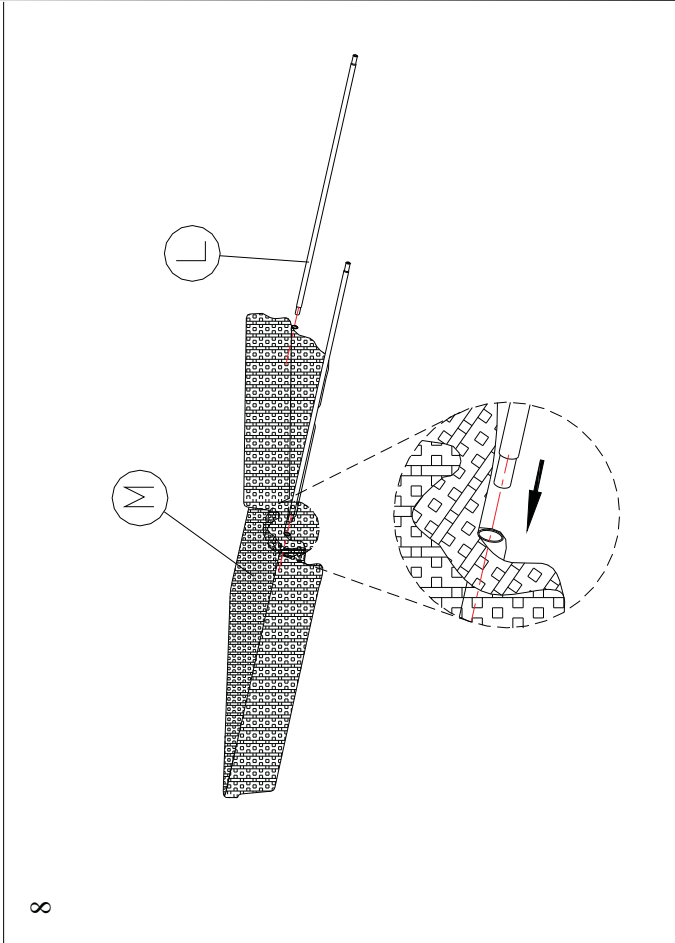
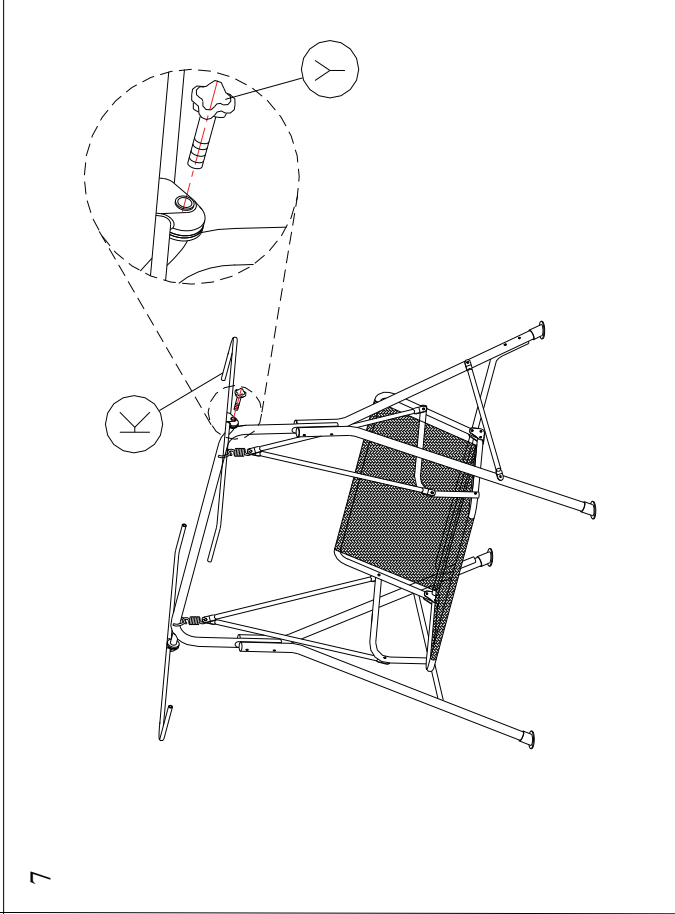
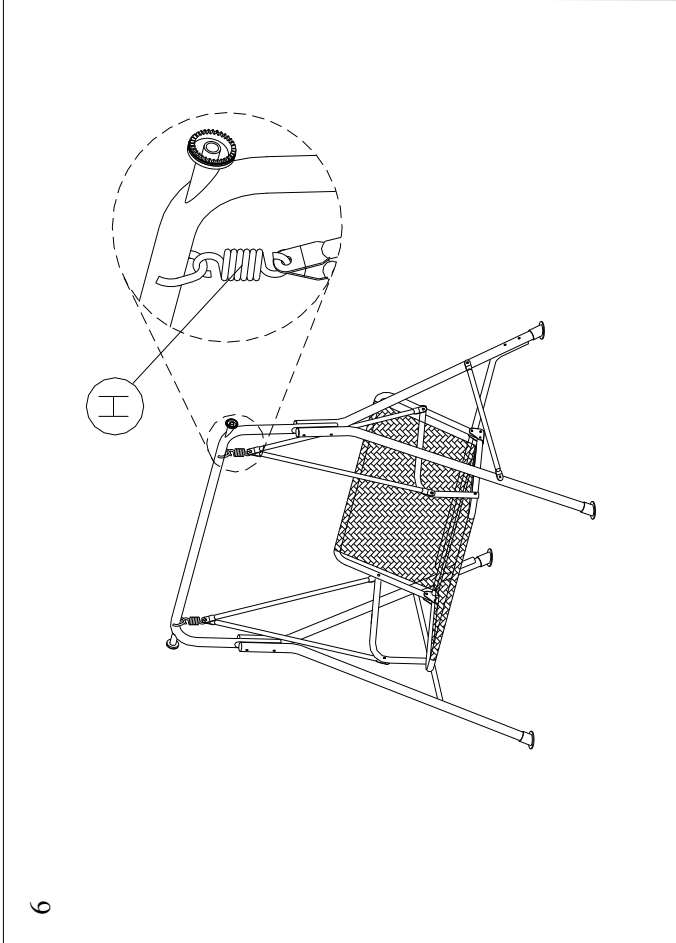
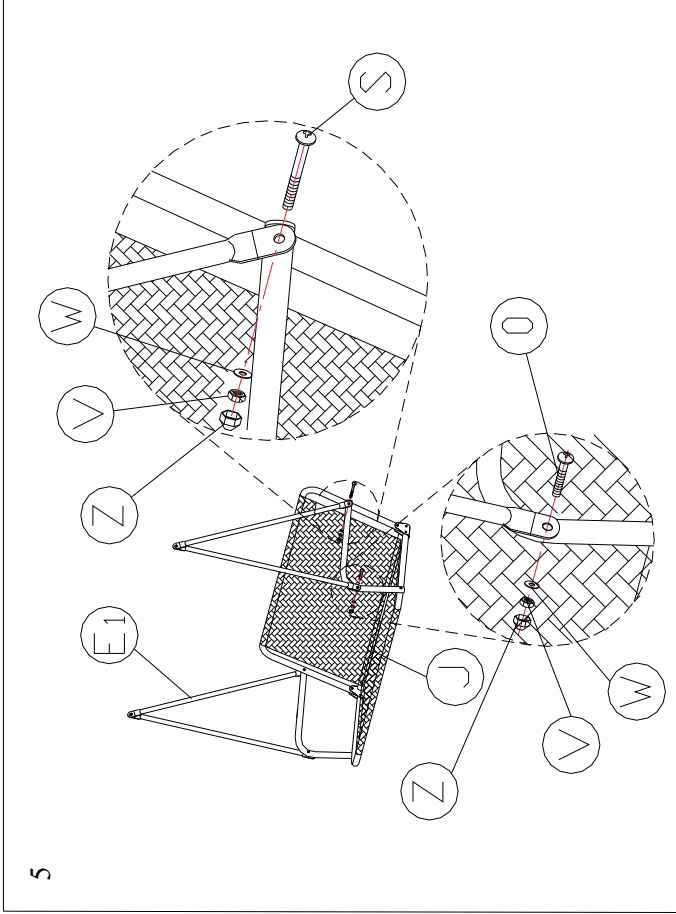
- 1 IMPORTANT, RETAIN FOR FUTURE REFERENCE: READ CAREFULLY**
- 2 We suggest you spend some time reading through this leaflet and follow the simple step-by-step assembly instructions. Some of the assembly will be easier with two people.
- 3 To assemble, you will require a philips headscrew driver, a 10mm and a 13mm spanner.
- 4 Do not discard any of the packaging until you have checked that you have all the parts and the pack of fittings.
- 5 Dispose of packaging with care and consideration for the environment. Keep plastic bags away from children or animals.
- 6 Keep fittings and small parts out of reach of children and animals. Keep the tools supplied for future use.
- 7 Assemble this product on a clean, flat and level surface. Seek assistance when lifting large or heavy items.
- 8 When assembling this product be aware of the safety of yourself and others, including children and animals.
- 9 Assemble all parts loosely before tightening any bolts or fixings.
- 10 Do not use the hammock until all bolts and fixings are tight, do not overtighten.
- 11 Periodically check the tightness of bolts and fixings.
- 12 Do not modify or alter the hammock in anyway.
- 13 Do not climb or stand on any part of the hammock or allow children to stand or play on or around the item.
- 14 Always use the hammock on a level surface.
- 15 This item is designed for private and domestic use only e.g. around the home and garden.
This item is not designed or intended for commercial use e.g. pubs, clubs, restaurants or hotels.

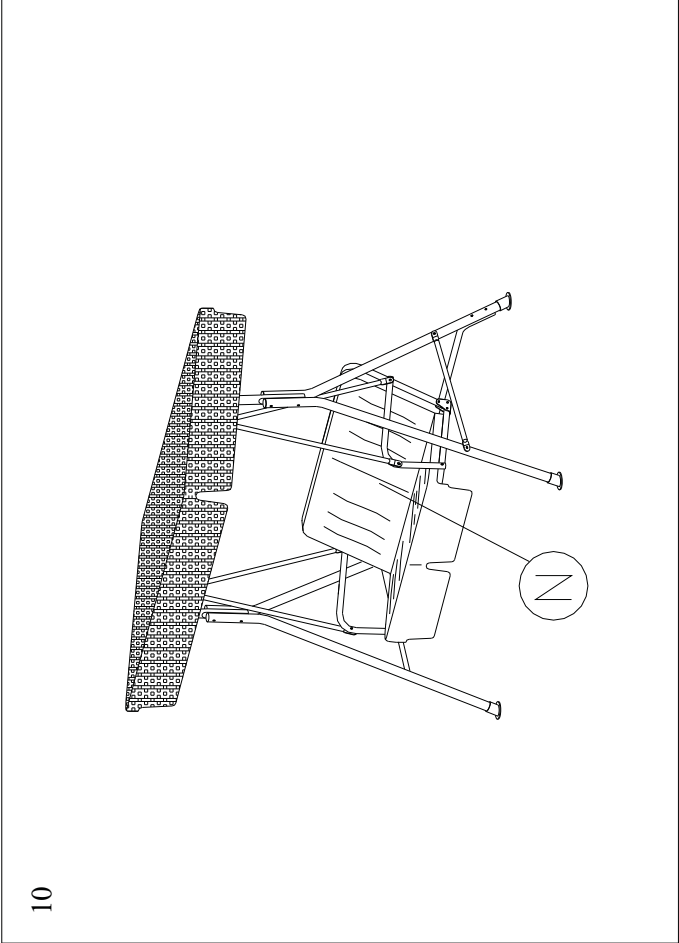
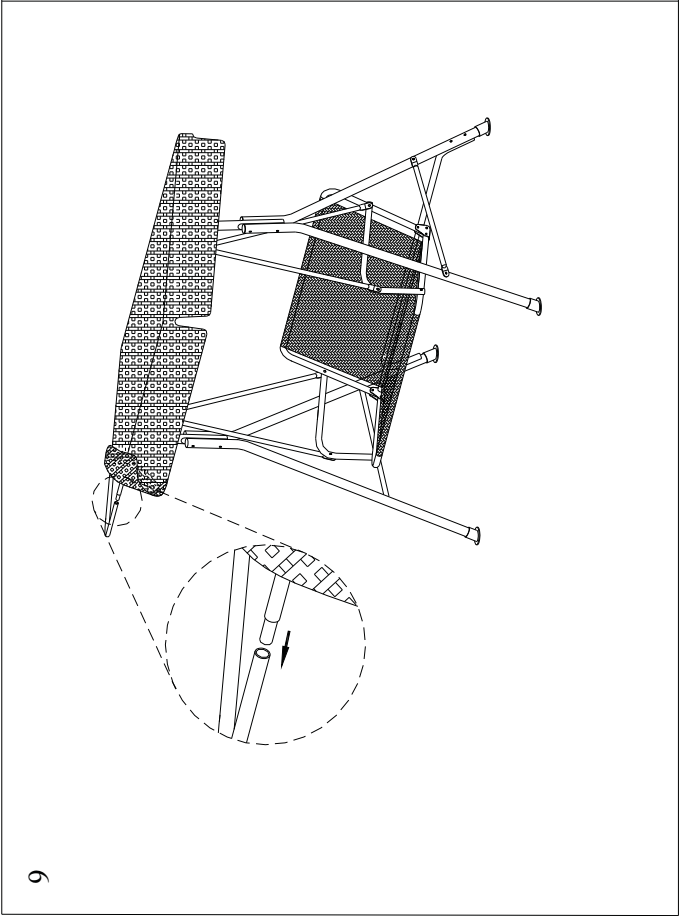
CARE AND MAINTENANCE

- 1 To clean, wipe with mild soap and water, rinse thoroughly. Do not use bleach, acid, solvents or Abrasive cleaners on this item. Spot check a small area first. Dry completely.
- 2 The hammock you have purchased is constructed from high quality steel for strength and durability. Most metal is prone to some corrosion over time and you can expect this to occur on outdoor furniture, particularly if you intend to leave the furniture exposed to weather for periods of time. Consequently this product is not guaranteed against corrosion, there are some measures you can take to minimise this. Wash the metal parts on a regular basis. And then use car polish or a similar product to provide extra protection.
- 3 On metal furniture, rain water can seep into the frame and cause some internal rusting; rusty water may then leak from the frame. Periodically empty water from the frame to avoid staining to your patio or decking.
- 4 If the painted finish should become chipped or scratched exposing bare metal, remove any surface rust and treat with a touch up paint.
- 5 If the furniture is not being used for long periods or during the winter, store inside or under a suitable cover. Before putting into storage, insure the item is clean and dry.

		A 2		B 2		C 1		E 2	
		E1 4		F 1		H 2		I 2	
		J 1		K 2		L 2		M 1	
		N 1		O 2		Q 4		R 2	
		S 2		T 4		U 4		V M6/12 M8/6	
W M6/12 M8/6		Y 2		Z M6/12 M8/6		AA 1		BB 1	
						Philips Head Screwdriver NOT SUPPLIED		Spanner For 10mm & 13mm NOT SUPPLIED	







ASSEMBLY INSTRUCTIONS

1. Using the Parts list please check and identify that all the parts can be accounted for. Do not attempt to assemble the product if any of the parts are missing. Contact a member of Argos After Sales customer service if any parts are missing :
Telephone: 0845 640 0800 Please quote catalogue number: 651/1342
2. Tools required - NOT INCLUDED
- Philips head screwdriver x 1
-10mm spanner x1
-13mm spanner x1
Please note: 1 adjustable spanner will do instead of the two types listed above.
3. Please follow the steps outlined in the following pages to assemble the hammock correctly. See steps 1 to 10.
4. Be careful not to over-tighten the nuts & bolts.
5. Cover all the nuts with caps provided, part (Z).
- 6 To complete Step 10 please ensure the cushions is fixed to the swing seat using the ties provided on the cushion.

Your hammock is now completely assembled and ready for use.

*Weight limit 220kg (484 lb)

Produced in China for: Home Retail Group, MK9 2NW, U.K.

Please periodically check the tightness of all fittings, after prolonged usage they may require tightening.