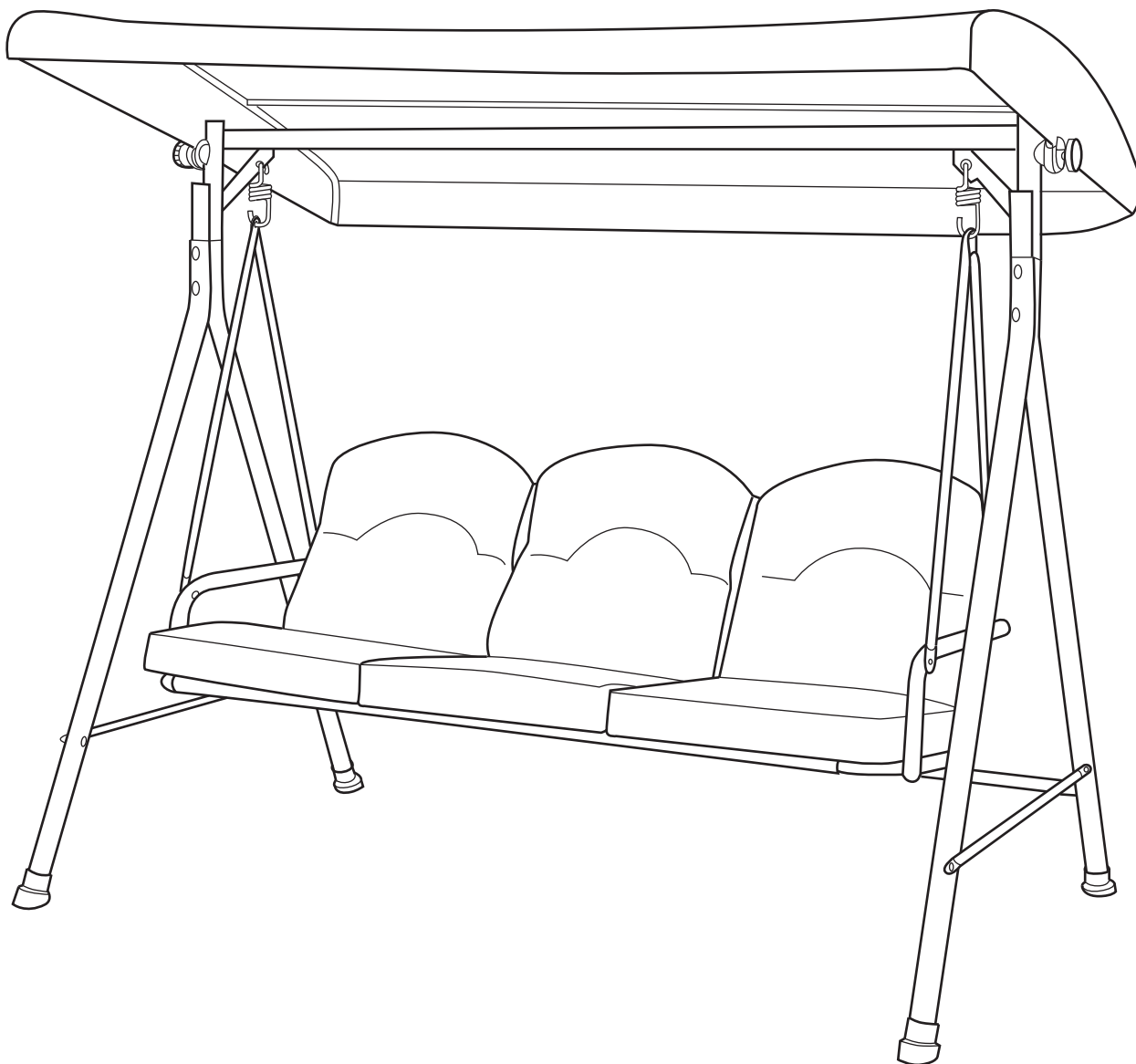


Lucca Swing Hammock

Assembly Instructions - Please keep for future reference

799710



Dimensions

Width - 195.5cm

Depth - 123cm

Height - 173cm

Important - Please read these instructions fully before starting assembly

If you need help or have damaged or missing parts, call the Customer Helpline: 08450778888



Safety and Care Advice

Important - Please read these instructions fully before starting assembly

- Check you have all the components and tools listed on pages 2 & 3.
- Remove all fittings from the plastic bags and separate them into their groups.
- Keep children and animals away from the work area, small parts could choke if swallowed.
- Make sure you have enough space to layout the parts before starting.
- Do not stand or put weight on the parts during assembly, this could cause damage.
- Assemble on a soft level surface to avoid damaging the unit or your floor.
- Parts of the assembly will be easier with 2 people.
- Dispose of all packaging carefully and responsibly.
- The user of this swing should always inspect it before each use.
- Check the tightness of all nuts and bolts on a regular basis.
- Always remove the canopy in heavy wind conditions, otherwise the canopy may tip over and cause damage to its parts.
- Oil all of the metal parts that move during usage season.
- The manufacturer will not accept responsibility for unauthorized repairs or modifications to the swing or its parts.
- Weight limit is 340 kgs.
- Warning: The unit weighs approximately 32.5 kgs. Please lift with care.

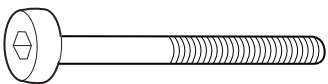
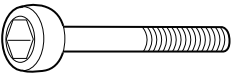
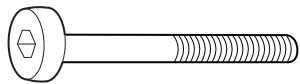
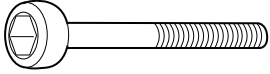
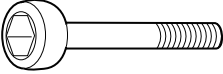
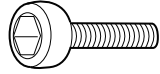
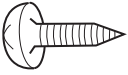
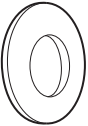
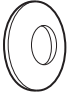


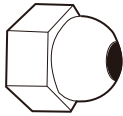
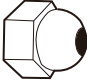
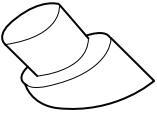

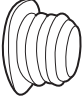

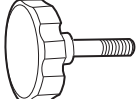
Care and maintenance

- Wash frame parts with mild soap and water, rinse thoroughly, and dry frame completely. Do not use bleach, acid, or other solvents on the frame parts.
- The canopy may be surface washed with mild soap and water if necessary. Commercial foaming upholstery cleaner may also be used. Rinse well and hang to dry. Do not machine wash or dry.
- We recommend the use of furniture covers to protect your swing when not in use.
- Please inspect and tighten all bolts or fasteners on a regular basis to ensure proper performance and safety of your swing.
- In order to prolong the life and beauty of your swing, we recommend that it be stored in a dry and protected area When not in use .

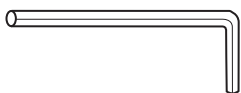
Components - Fittings

Please check you have all the fittings listed below

Note: The quantities below are the correct amount to complete the assembly. In some cases more fittings may be supplied than are required.

<p>A </p> <p>M8 x 110mm Bolt x 4</p>	<p>B </p> <p>M6 x 65mm Bolt x 6</p>	<p>C </p> <p>M8 x 80mm Bolt x 2</p>
<p>D </p> <p>M6 x 80mm Bolt x 2</p>	<p>E </p> <p>M6 x 50mm Bolt x 2</p>	<p>F </p> <p>M6 x 20mm Bolt x 6</p>
<p>G </p> <p>ST4.2 x 16mm Screw x 4</p>	<p>H </p> <p>d8.5 x D17x 1.6mm Washer x 12</p>	<p>I </p> <p>d6.5 x D16 x 1.2mm Washer x 20</p>
<p>J </p> <p>d8.5 x D12 x 2.1mm Spring Washer x 6</p>	<p>K </p> <p>d6.5 x D10 x 1.6mm Spring Washer x 16</p>	<p>L </p> <p>M8 x P1.25mm Plastic Nut x 6</p>
<p>M </p> <p>M6 x P1.0mm Plastic Nut x 10</p>	<p>N </p> <p>Leg Cap x 4</p>	<p>O </p> <p>Suspension Spring x 2</p>
<p>P </p> <p>Plastic End Cap x 6</p>	<p>Q </p> <p>Canopy/Frame Connector x 2</p>	<p>R </p> <p>Plastic Screw x 2</p>

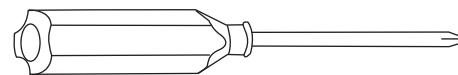
Tools required



6mm Hex Key

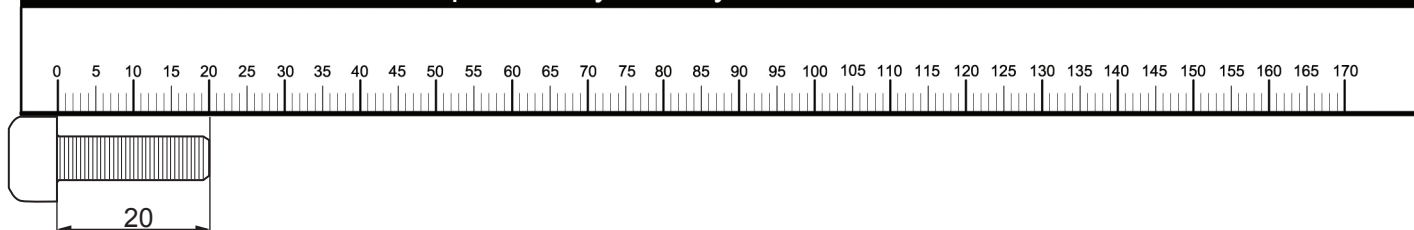


13 & 17mm Nut Wrench



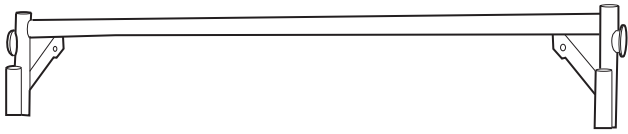
Screwdriver not supplied,
Please prep are by yourself.

Ruler - Use this ruler to help correctly identify the screws

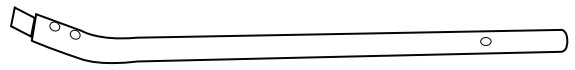


Components - Parts

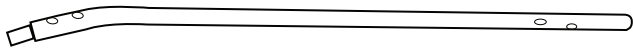
Please check you have all the parts listed below



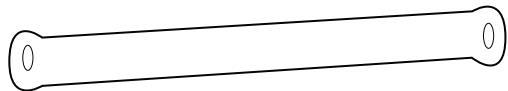
1 Top Cross Beam x 1



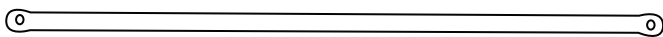
2 Front Upright Support x 2



3 Rear Upright Support x 2



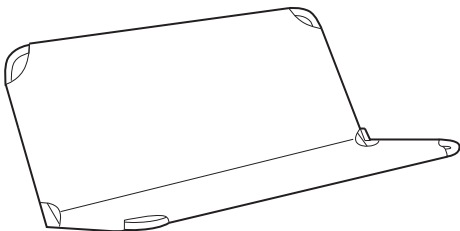
4 Lateral Cross Brace x 2



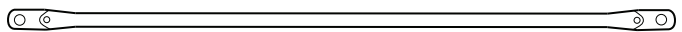
5 Rear Cross Brace x 1



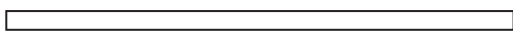
6 Swing Arm x 2



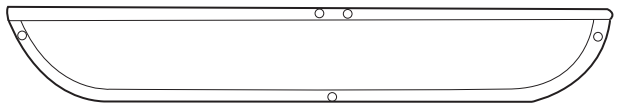
7 Seat Assembly x 1



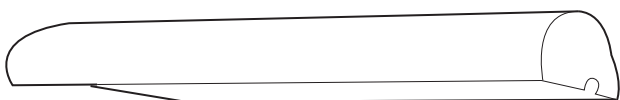
8 Swing Arm Tube x 4



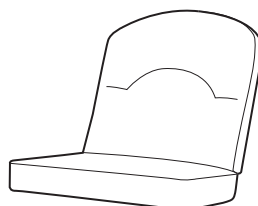
9 Front And Rear Canopy brace x 3



10 Canopy Cross Brace x 2



11 Canopy x 1



12 Cushion x 3

Assembly Instructions

Step 1

ASSEMBLY (Note: For all nut and bolt fastening, always use a washer **H**, **I**, **J** and **K** between the tube and bolt or the tube and nut).

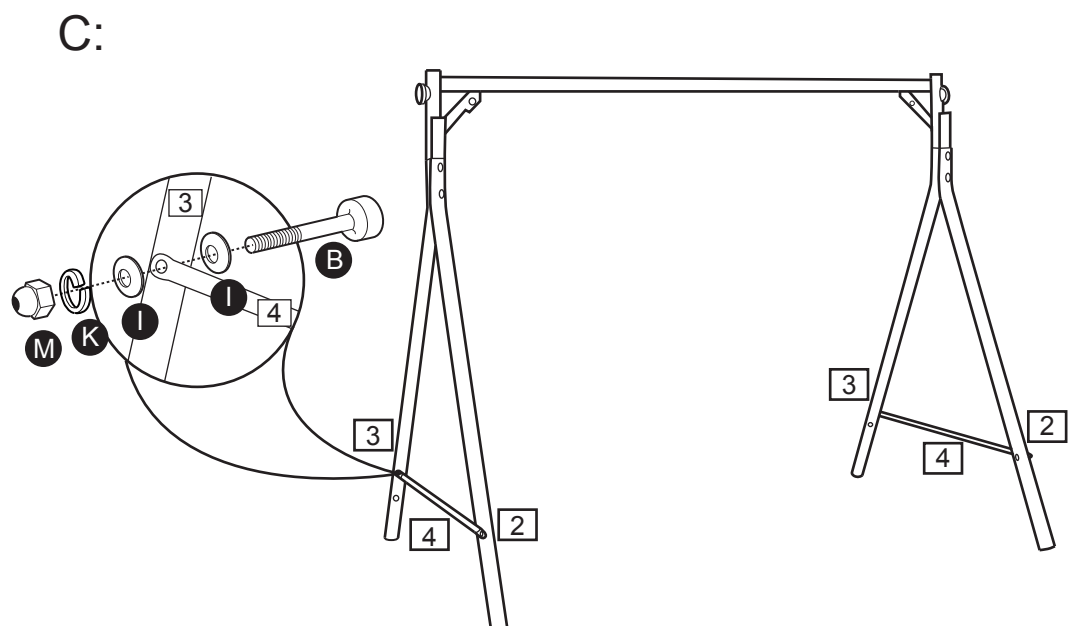
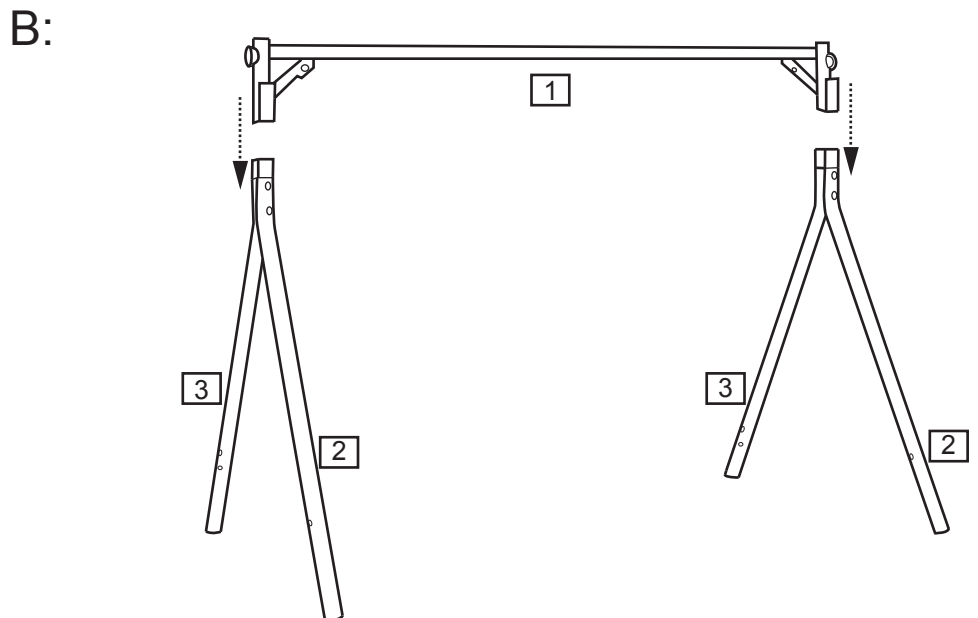
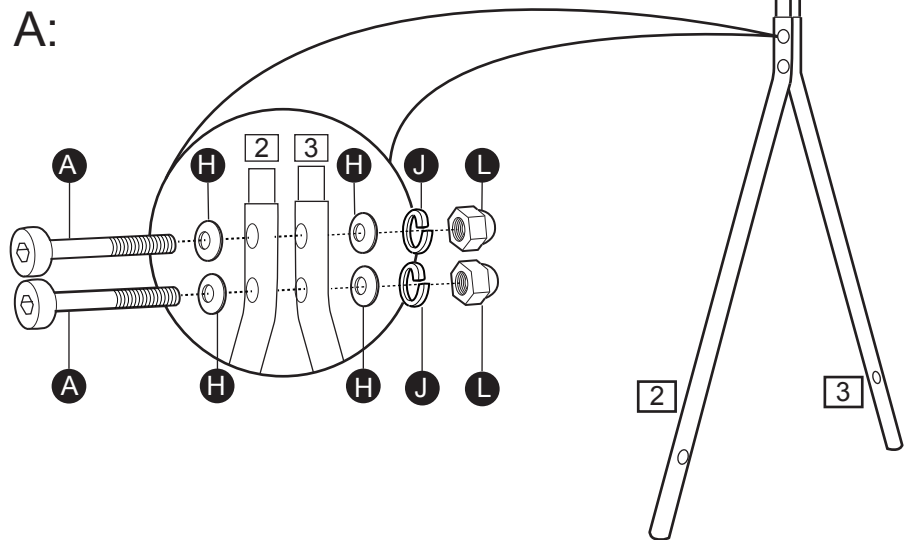
A:
Attach the front and rear upright supports **2** and **3** at the top by using bolts **A**, washers **H**, spring washers **J** and plastic nuts **L**. Repeat the procedure for the other side. Do not tighten plastic nuts & bolts yet.

B:
Attach the top cross beam **1** to both ends of the upright supports **2** and **3**.

C:
Attach the lateral cross braces **4** to the upright supports **2** and **3** by using bolts **B**, washers **I**, spring washers **K** and plastic nuts **M**.

FRAME ASSEMBLY

Parts of the assembly will be easier with 2 people.



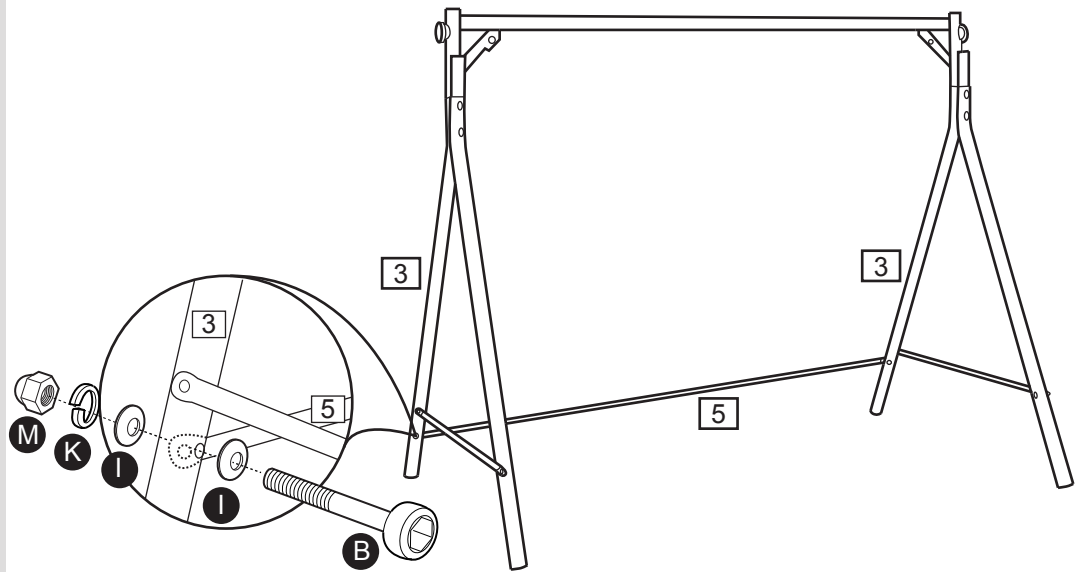
Assembly Instructions

Step 1

D:
Attach the rear cross brace **5** to the rear upright supports **3** by using bolts **B**, washers **I**, spring washers **K** and plastic nuts **M**.

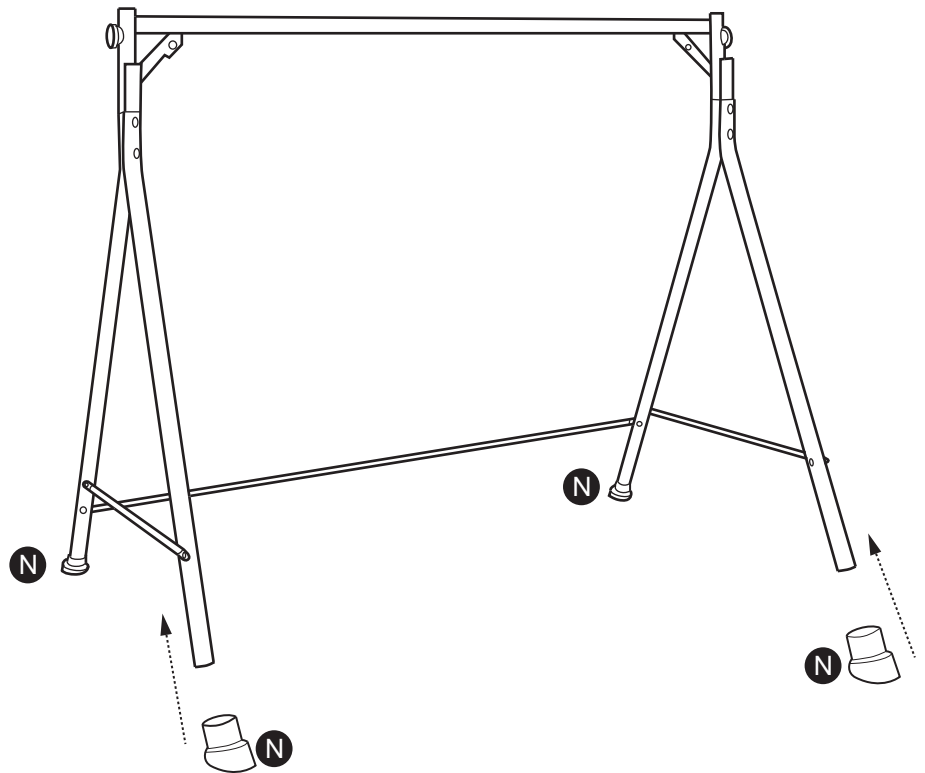
Parts of the assembly will be easier with 2 people.

D:



E:
Insert the leg caps **N** to all base feet. Tighten the plastic nuts & bolts.

E:



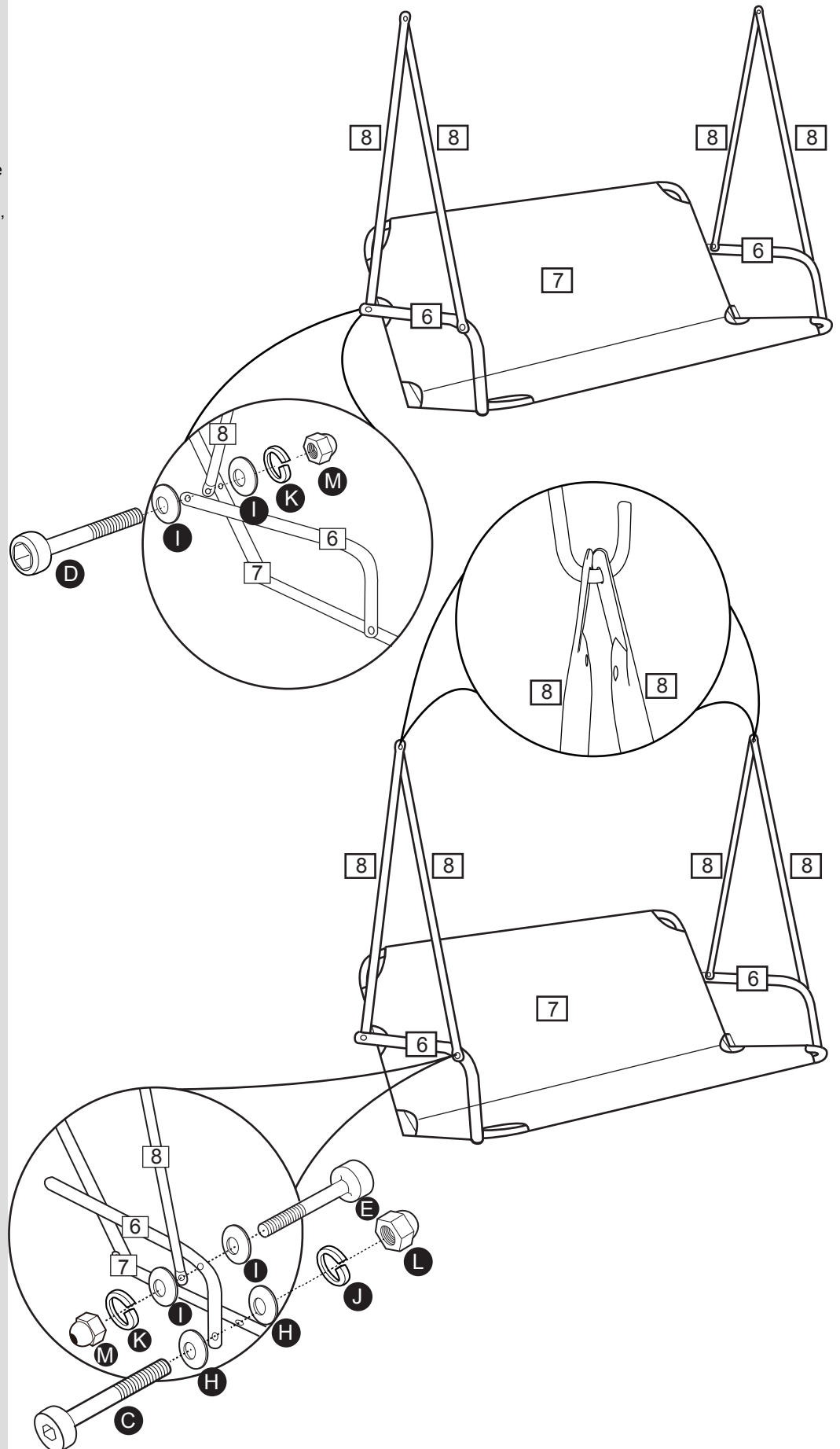
Assembly Instructions

Step 2

Attach one swing arm tube **8** and swing arm **6** to the seat assembly back frame by using bolt **D**, washers **I**, spring washers **K** and plastic nut **M** for each side. attach the other end of one swing arm **6** to the front of the seat assembly **7** by using bolt **C**, washers **H**, spring washers **J** and plastic nut **L** for each side. Attach the other swing arm tube **8** to the front bend of swing arm **6** by using bolt **E**, washers **I**, spring washers **K** and plastic nut **M**. Repeat this action for both sides.

SEAT ASSEMBLY

Parts of the assembly will be easier with 2 people.

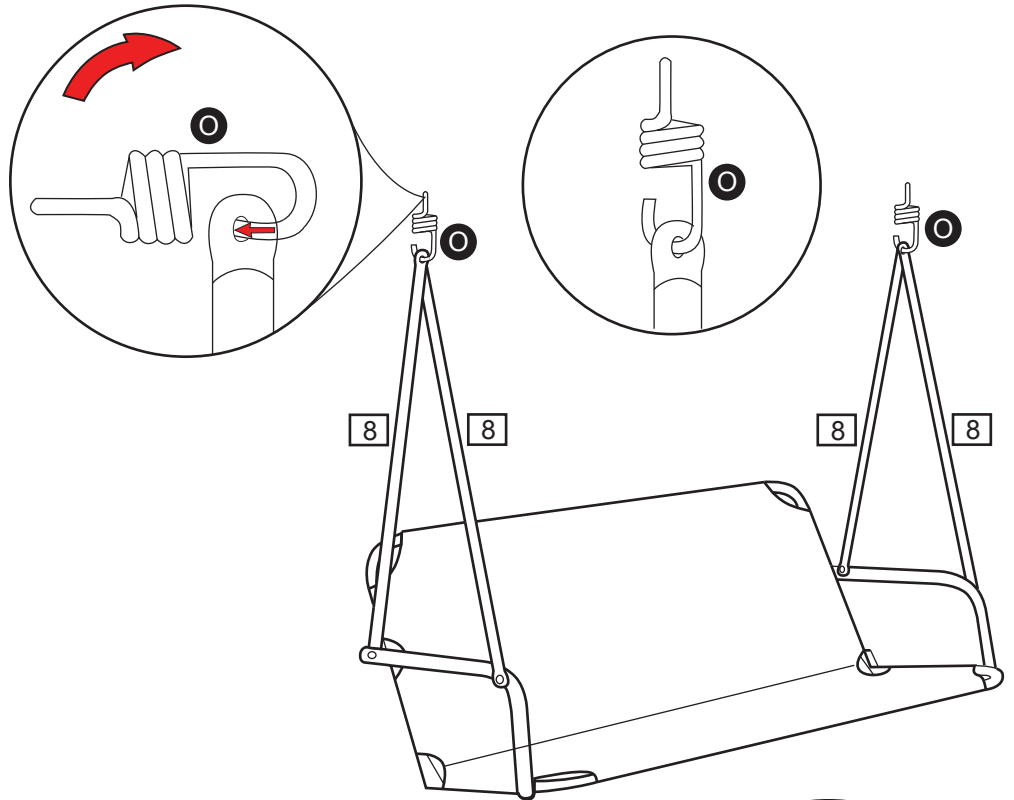


Assembly Instructions

Step 3

Hook the suspension spring **○** to the top of both swing arm tubes **8**, and repeat the other side.

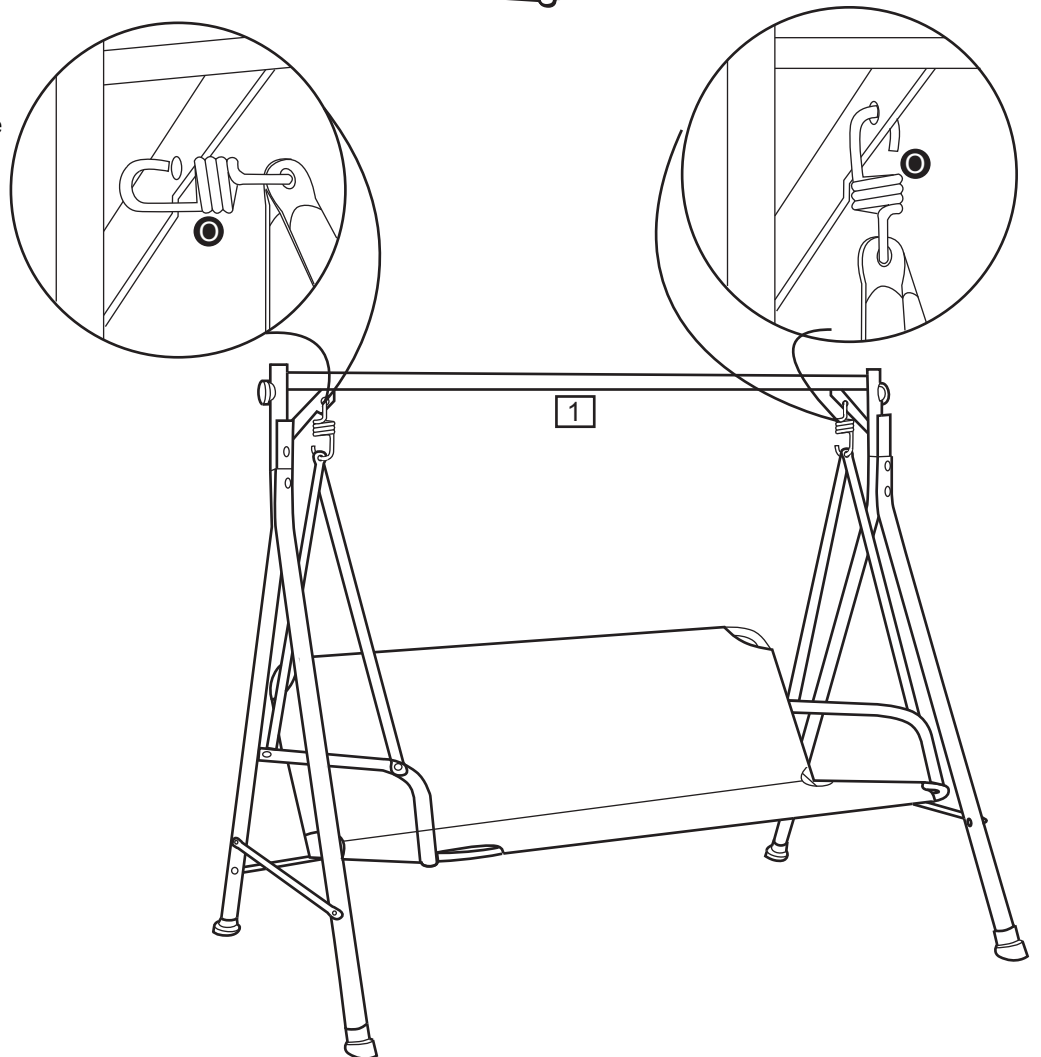
Parts of the assembly will be easier with 2 people.



Step 4

Hook the upper loop of the suspension spring **○** through the hole of each side on the angled braces of the top cross beam **1**. Repeat the other side.

Warning:
Make sure that both ends of the suspension springs go completely through the angled braces on the part **1** and the swing arm tube **8**.



Assembly Instructions

Step 5

A & B:
Slide the canopy/frame connectors **Q** into the middle of the canopy cross braces **10** and secure them with screws **G**. Please make sure that the teeth of the canopy frame connectors are facing towards the inside.

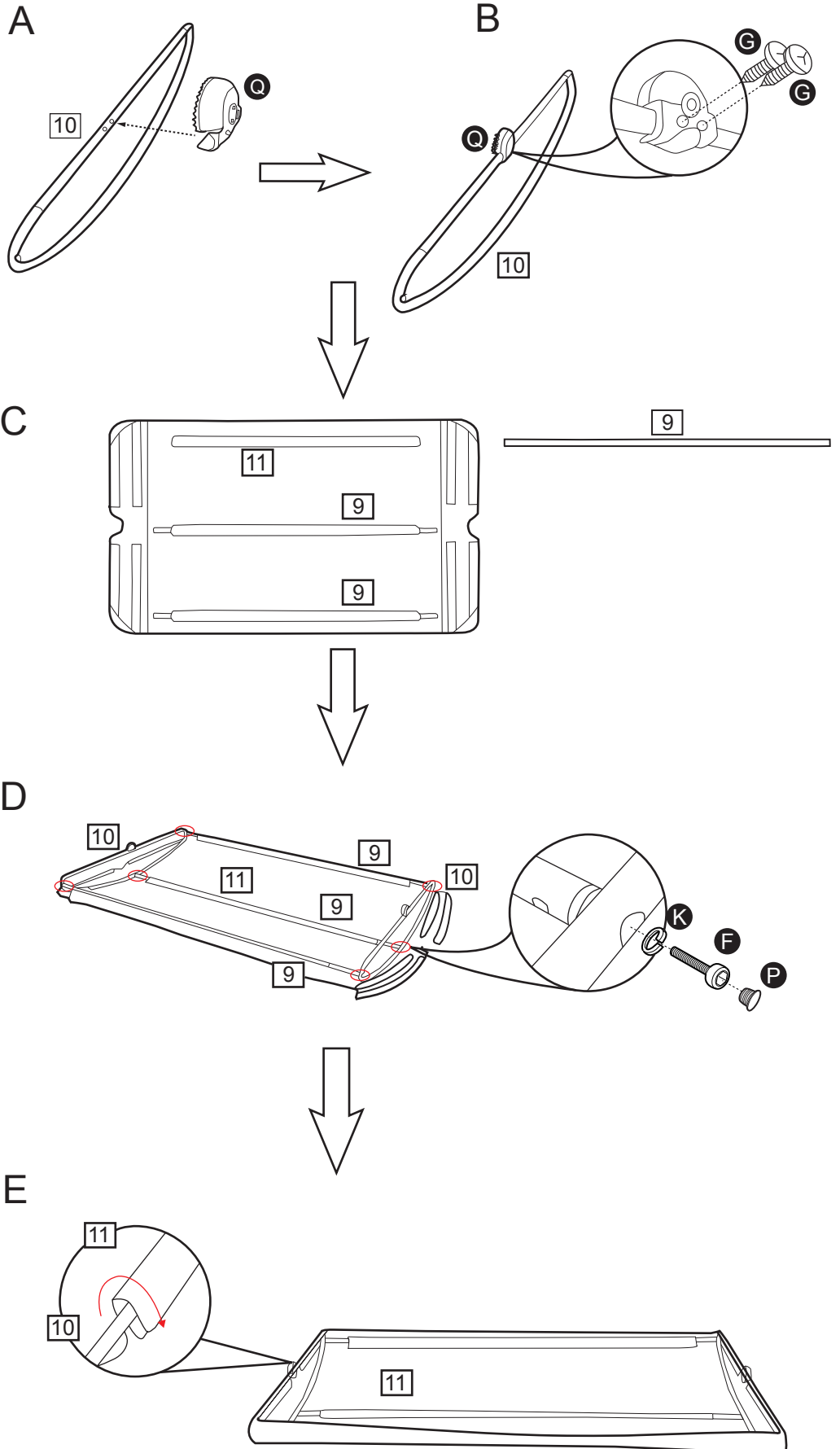
C:
Insert the front and rear canopy braces **9** into the sleeves of the canopy **11**.

D:
Attach the canopy cross brace **10** to the front and rear canopy braces **9** by using bolts **F**, spring washers **K**. Do the same procedure for both sides. Tighten all of the bolts now, cover all bolts with plastic end caps **P**.

E:
Velcro the canopy **11** to the canopy cross braces **10**.

CANOPY ASSEMBLY

Parts of the assembly will be easier with 2 people.

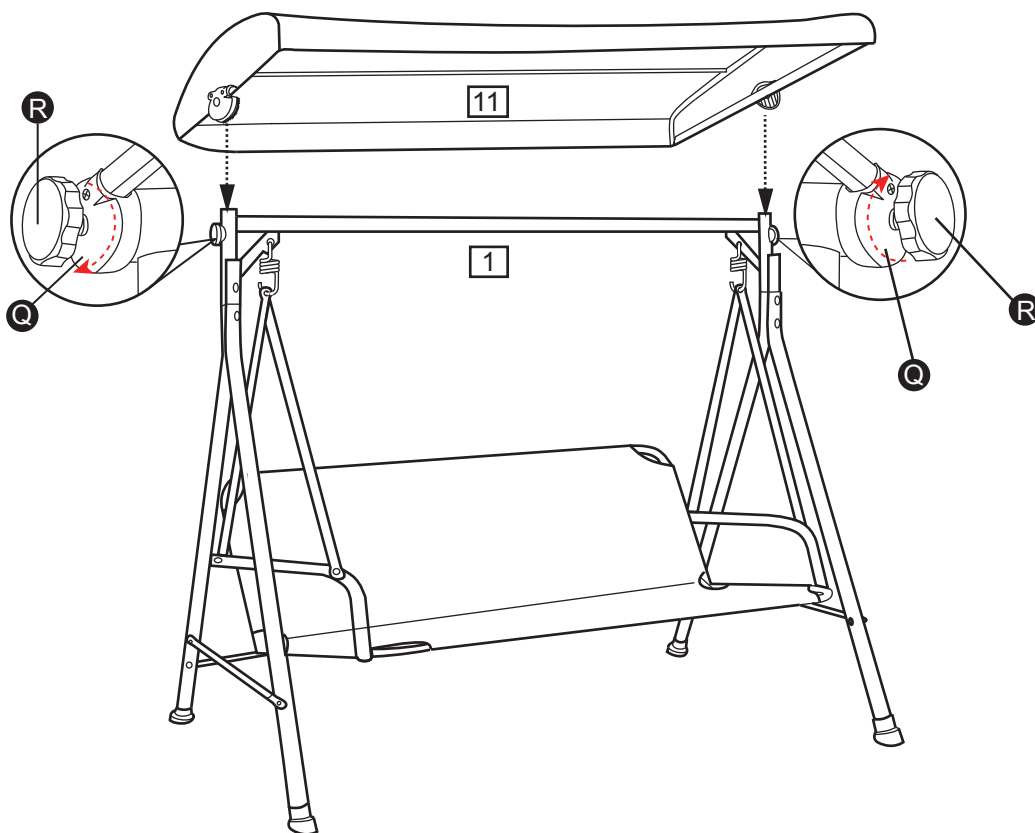


Assembly Instructions

Step 6

Attach the canopy assembly onto the adjustable teeth on both sides of the top cross beam **1** with plastic screw **R** to each side of canopy frame connectors **Q**.

Parts of the assembly will be easier with 2 people.

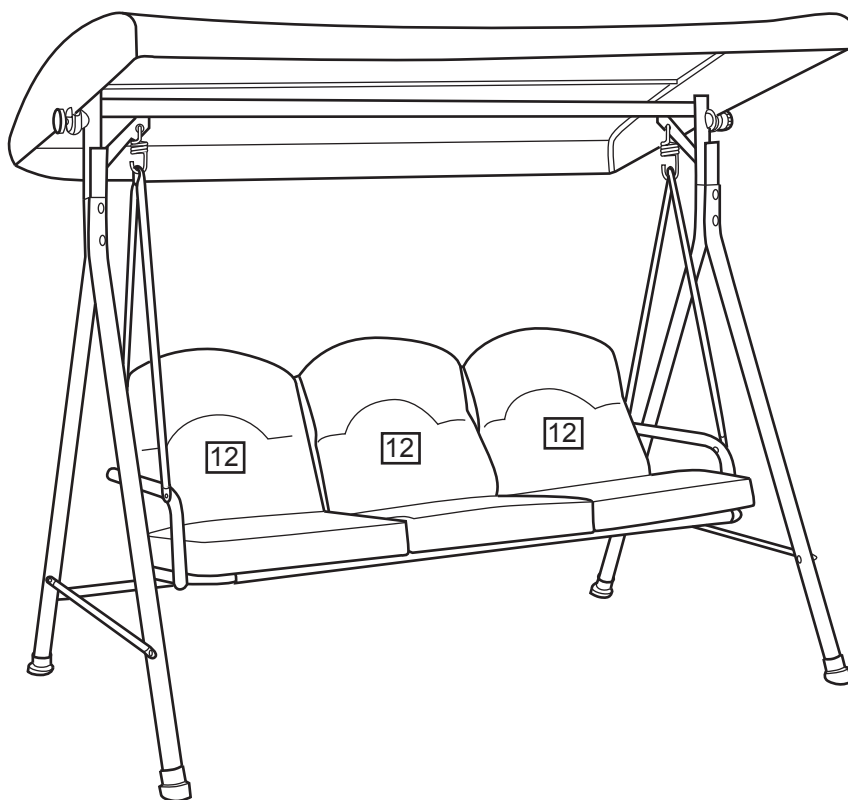


Step 7

Place the cushions **12** onto the seat assembly **7**.

Re-check and re-tighten all nuts and bolts to assure stability

Warning:
To avoid danger of suffocation, please always keep plastic bags or small parts away from babies and children.



Assembly is completed.

If you need help or have damaged or missing parts, call the Customer Helpline: 08450778888
Retailer: Home base
Address: 489-499 Avebury Boulevard Saxon Gate West, Central Milton Keynes Bucks, MK9, 2NW