

NZ·azz



mono·mounts[®]

Best for single panel installations

www.nzazz.nz



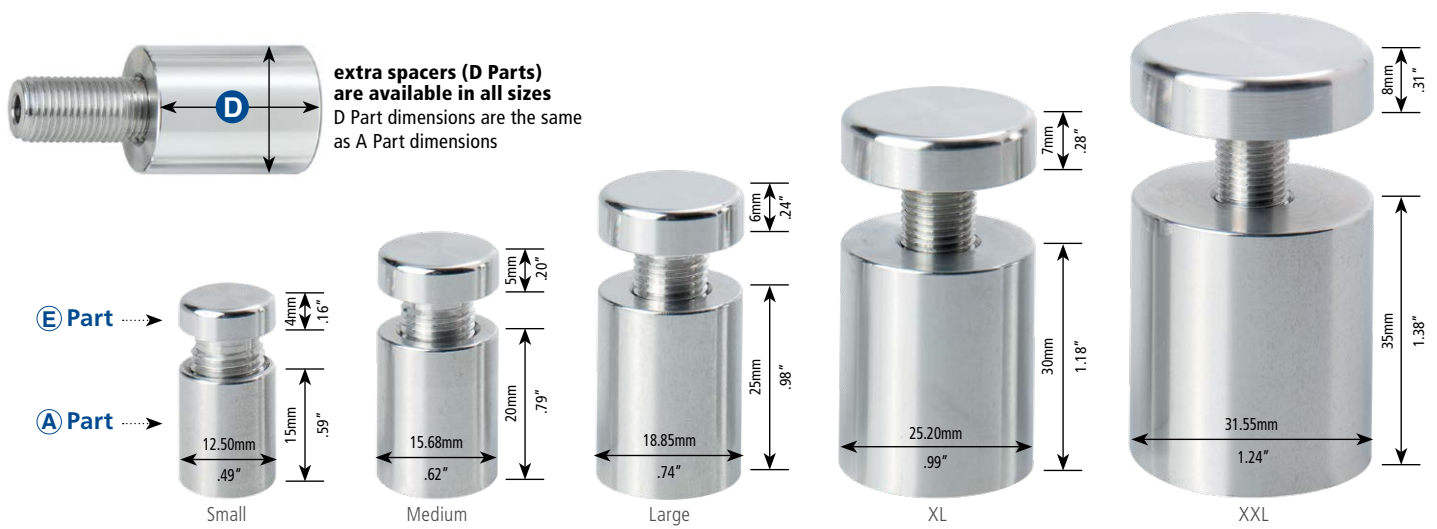
Install your panels
• easily • quickly • securely

NZ·azz

www.nzazz.nz

NZAZZ Limited. Ph 09 415 4430, Email: sales@nzazz.nz

SIZES AND DIMENSIONS



DESIGNER COLLECTION

Available with the finishes and colours below in Small, Medium, Large, XL and XXL sizes



HYBRID COLLECTION

Gloss clear resin A Parts with the E Part options below in Small, Medium, Large and XL sizes



RESIN COLLECTION

Standard colours - available with a Gloss or Matt finish in Small, Medium and Large sizes



RESIN COLLECTION

PT colours - available with a Gloss or Matt finish in Small, Medium and Large sizes





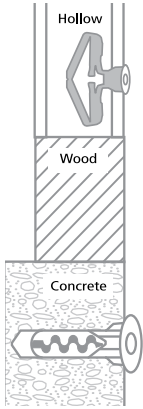
NZ·azz

mono·mounts®

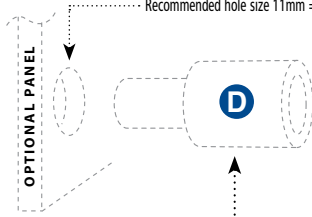
Install your panels • easily • quickly • securely

STANDARD PARTS

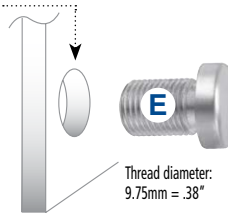
Are **A** + **E** Parts which are sold as a set. Optional extra **D** Parts are sold separately



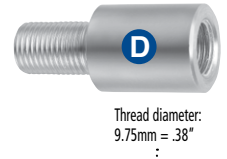
The internal back wall of **A** Parts are designed to accommodate the head of an 8 or 9 gauge countersunk screw or bolt.



E Parts screw into **A** or **D** Parts.



D Parts screw between **A** + **E** Parts.



Important:
Use approved wall anchors when required.

extra spacers (**D** Parts) are used to hold more panels and/or increase the standoff distance.

For part sizes, panel thickness and weight capacities, visit www.nzazz.nz

SINGLE PANELS

Are secured between **A** + **E** Parts

monomounts hold panels between **A** + **E** Parts



1 Single panel

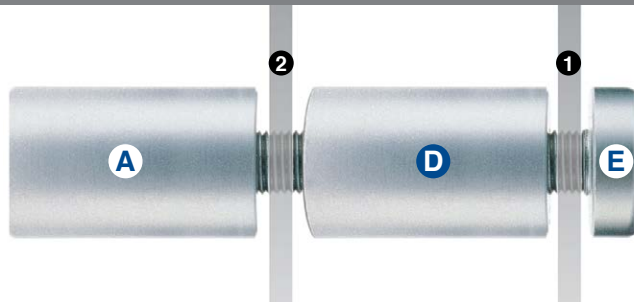


MULTIPLE LAYERS

Panels are secured between **A** + **D** Parts and **D** + **E** Parts

Using extra spacers (**D** Parts) give you more creative options including:

- multiple panel layers with different colours and textures
- offsetting some layers
- **D** Parts can also be used to increase the standoff distance



1 Front panel
2 Extra panel



SALES TOOLS

Are available, including the monomount + multimount Display Pack below



Display Pack Bag



Side One



Side Two

For changeable graphic displays, see our innovative multimount standoff system at: www.nzazz.nz

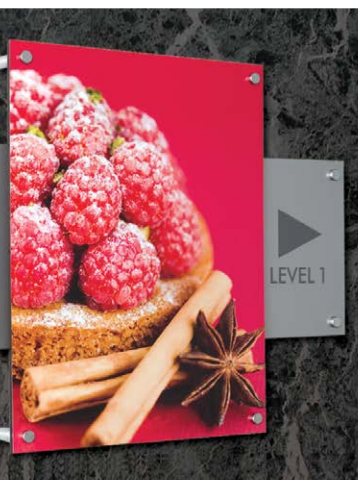
multimounts are patented under US Patents # 6,470,612, # 6,974,290, European Patent #1095366 and counterparts thereof in other countries.

nzazz is a registered trademark of NZAZZ Limited. © 2019

2



DESIGN & CONSTRUCT
HQ COMPUTERS



NZ·azz

www.nzazz.nz

NZAZZ Limited. Ph 09 415 4430, Email: sales@nzazz.nz