

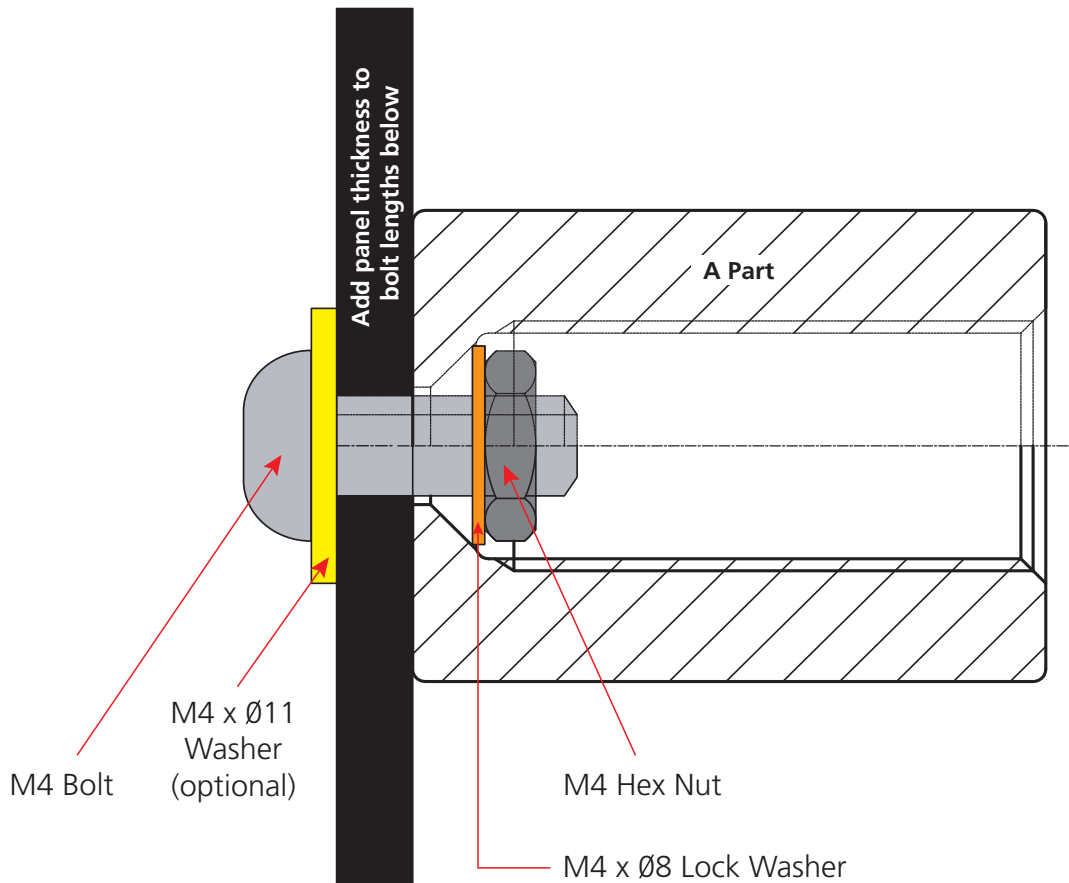
NZ·azz







mono·mounts®

best for single panel installations

Installing A Parts on a panel



Bolt Dimensions			Recommended Fastening System				The intellectual property in this drawing is the property of NZAZZ Limited, 40 William Pickering Drive, Auckland, New Zealand. Copyright © NZAZZ Limited 2017. Unauthorised use prohibited.
Button Head Bolt Thread Diameter	Thread Length	Overall Length					
M4	7mm	10mm					
.156"	.281"	.375"					
Add panel thickness to bolt lengths above			M4 Bolt	M4 x Ø11 Washer	M4 x Ø8 Lock Washer	M4 Hex Nut	

www.nzazz.nz