

NZ•azz



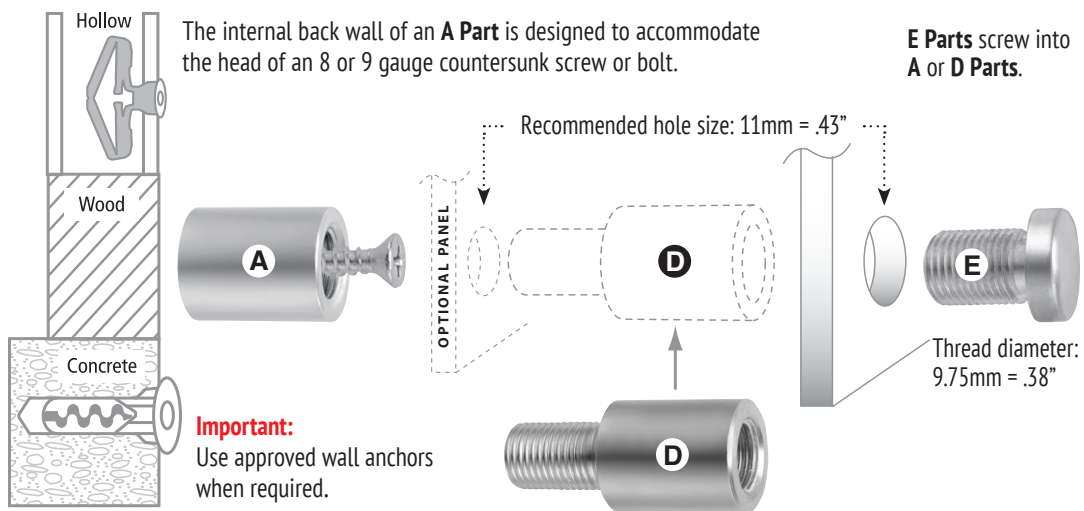
mono•mounts®

mount your panels easily, quickly and securely

Mounting A Parts on a wall

- Use your panel as the template to position panels on walls and align the hole centres.
- Ensure that the fixings you use to secure A Parts are suited to the type of wall they are being attached to e.g. when securing to wood use 8 gauge countersunk head wood screws. When securing to plaster board, concrete, block etc. obtain wall anchors specifically designed for use with the wall material from your hardware store or specialist supplier.
- Ensure that your A Parts are secured strongly enough to hold the entire loading on the A+E Parts as well as the extra•spacers, D Parts - if they are used.

Monomounts standard **A** + **E** Parts and optional extra **D** Parts



Optional Extra Spacers **D** Parts

Extra Spacers (D Parts) are used with Monomounts and Multimounts. They fit between **A** and **E Parts** to hold more panels and/or increase the standoff distance. Thread diameter: 9.75mm = .38"