

Installation instructions -

Please read the instructions and warnings carefully before installing the product and ensure this document is kept with the product for future reference to ensure product longevity and in the interest of safety.

- This product is intended for domestic use only.
- Not for use in saunas, steam rooms.
- It is recommended that this product is installed by 2 people who are able to meet the level of competence required in order to comply with relevant regulations.
- This product is designed for installation into a brick or masonry block wall. If mounting onto other substrate, ensure appropriate fixing and batons are used (if required) and the load bearing of the wall is sufficient.
- When drilling use appropriate eye protection.
- Take care when using power tools near water - the use of a residual current device (RCD) is advised.
- Beware of hidden cables or pipes. Take care if drilling on tiled surfaces in case the drill slips.
- Do not overload shelves or unit.
- Do not sit or stand on the unit.
- Ensure that excessive standing and surface water is removed from the product to avoid long term damage and spoiling.



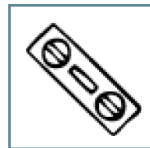
Screwdriver



Pencil



Tape measure



Spirit Level



Drill



Speed clamps

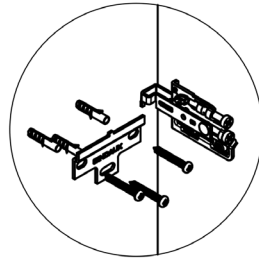
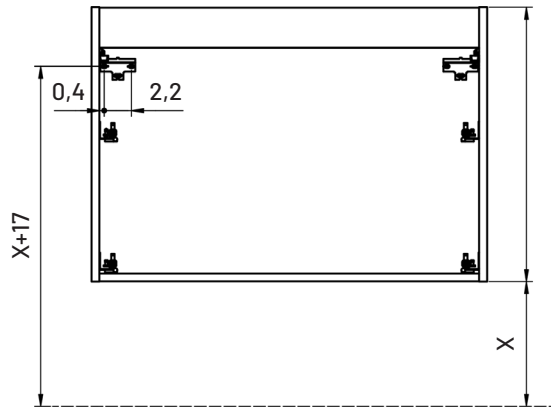


Suitable drill
bit

Installation instructions - Cane / Arco

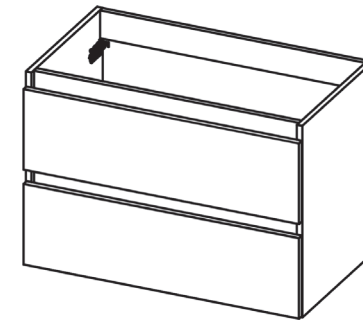
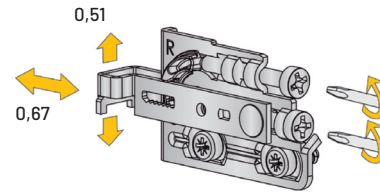
1. installation (Scarpi)

1.1 Hang the vanity onto the wall



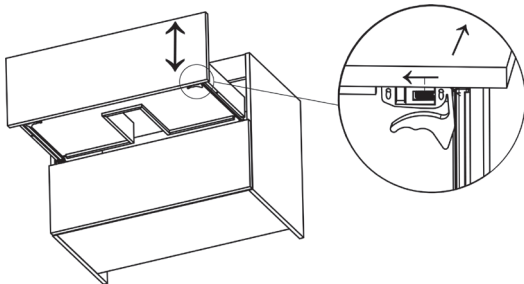
1.2 Level the vanity by adjusting the hanger

*Level vanity after installation

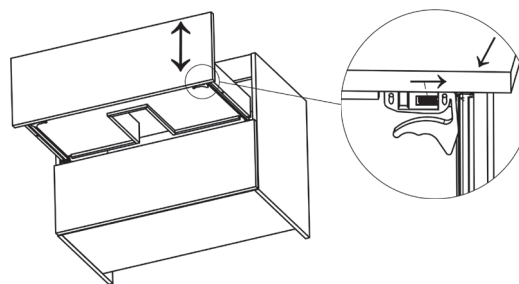


2. Adjust drawers (total extraction)

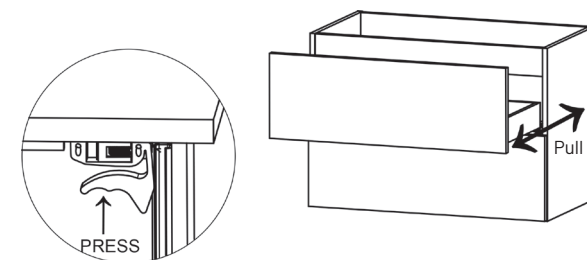
2.1 Raise the drawer



2.2 Lower the drawer

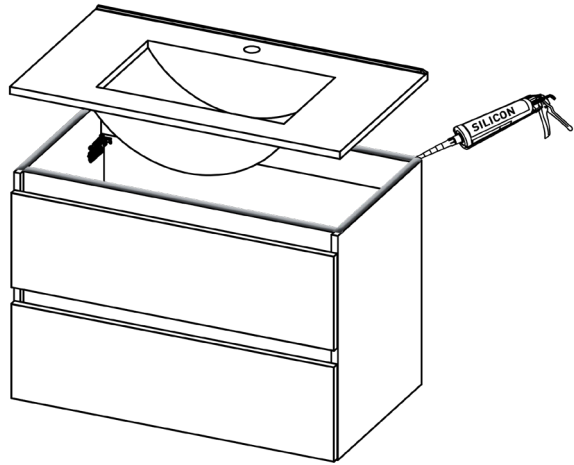


2.3 Remove drawers



Installation instructions - Cane / Arco

3 • Place the basin and seal it with silicone



4 • More information

